

### Ordering Information

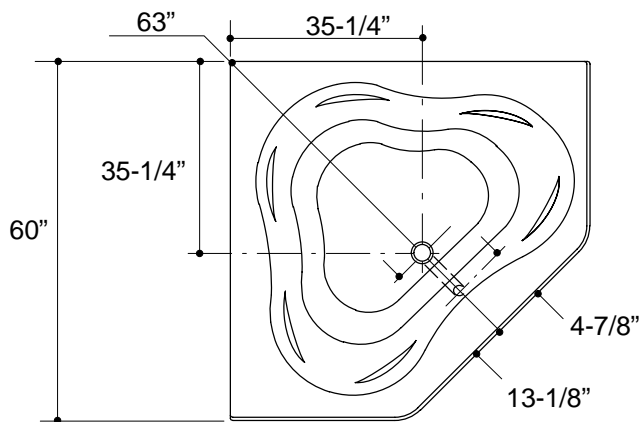
Accessories/hardware:		
Drain	K-11677	recommended
Vinyl tiling-in bead*	K-1179	optional
*Use K-1179 vinyl bead when wall material contacts any top surface of bath.		

### Product Information

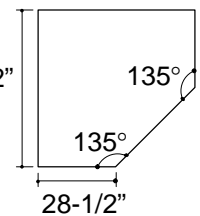
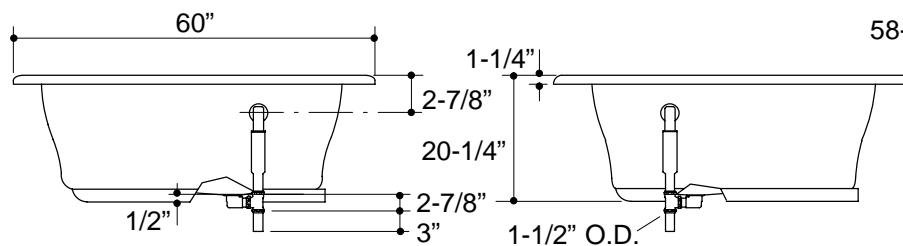
Fixture*:	basin area	top area	weight
Bathing well	49" x 39"	62" x 47"	71 lbs.
	water depth	capacity	
To overflow	15-1/2"	96 gal.	
* Approximate measurements for comparison only.			

### Installation Notes

Refer to installation instructions included with fixture before beginning installation.



<b>Roughing-In Notes</b>
Fixture conforms to ANSI Standard Z124.1. All dimensions are nominal.
No change in measurements if connected with drain illustrated.



**CUT-OUT DETAIL**