

GOOSENECK SPOUT
K-13760
ALSO K-13761

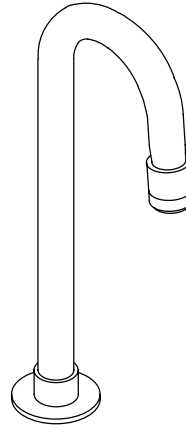
FEATURES

- Brass construction
- 3-3/4" gooseneck spout
- 2.5 gallons per minute
- Flange

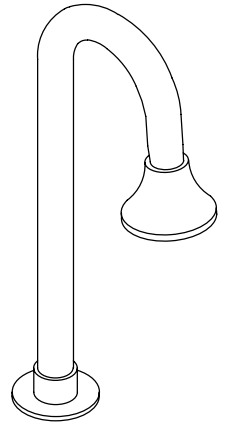
CODES/STANDARDS APPLICABLE

Specified model meets or exceeds the following:

- ASME/ANSI A112.18.1M
- IAPMO/UPC
- NSF 14



K-13760



K-13761

COLORS/FINISHES

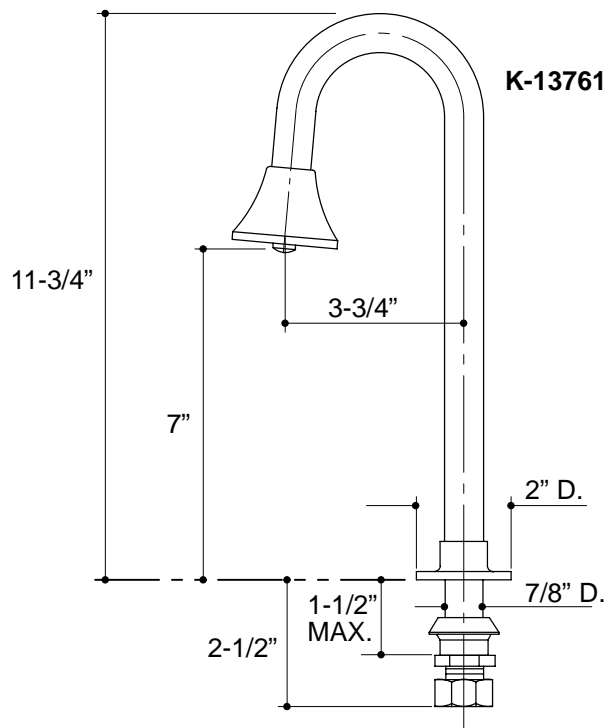
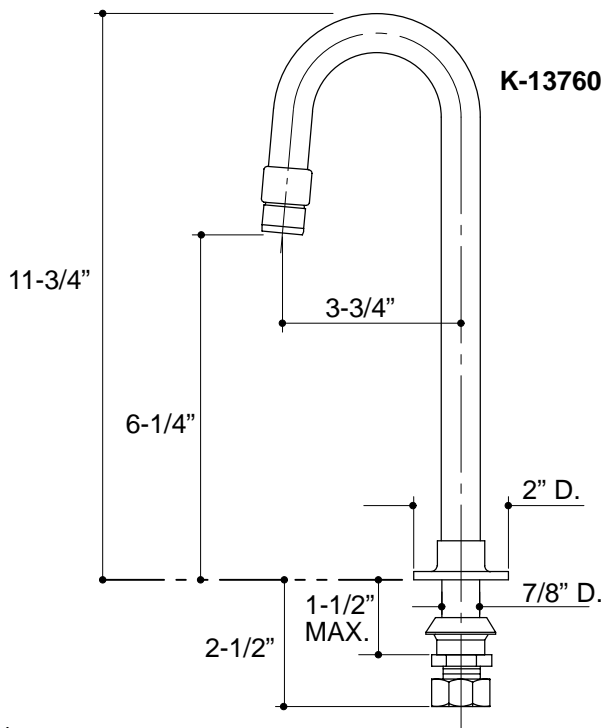
- CP Polished Chrome

SPECIFIED MODEL:

Model	Description	
K-13760	With Standard Aerator	<input type="checkbox"/> CP
K-13761	With Rosespray	<input type="checkbox"/> CP

PRODUCT SPECIFICATION:

Gooseneck spout shall be of brass construction. Spout shall be available with standard or rosespray aerator. Product shall include 3-3/4" gooseneck spout, flange, and 1/2" external N.P.T. connection. Product shall be Kohler Model K-_____CP.



14

PRODUCT DIAGRAM