

LOOSE SINK STRAINER
K-13864

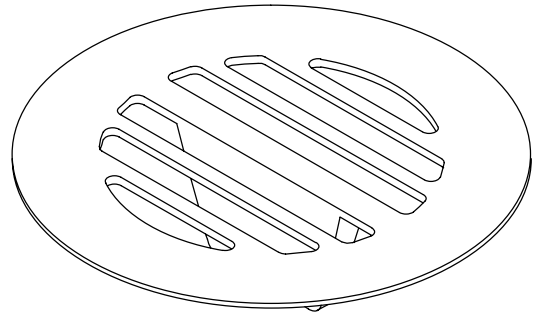
FEATURES

- *Cast brass construction*
- *Intended for Camerton™ service sink installations*

CODES/STANDARDS APPLICABLE

Specified model meets or exceeds the following:

- *ASME/ANSI A112.18.1M*
- *IAPMO/UPC*



COLORS/FINISHES

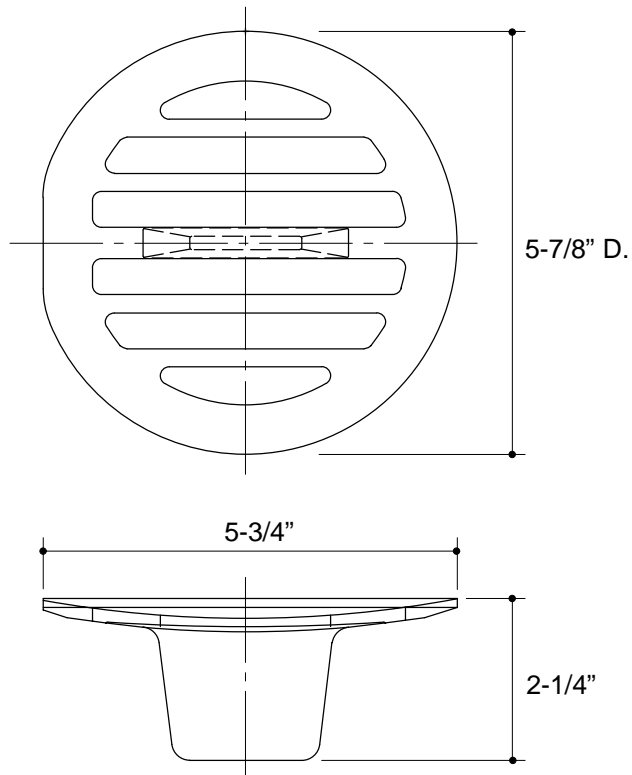
- CP Polished Chrome

SPECIFIED MODEL:

Model	Description	
K-13864	Loose Sink Strainer	<input type="checkbox"/> CP

PRODUCT SPECIFICATION:

Loose sink strainer shall be of cast brass construction. Product is intended for Camerton service sink installations. Product shall be Kohler Model K-13864-CP.



PRODUCT DIAGRAM