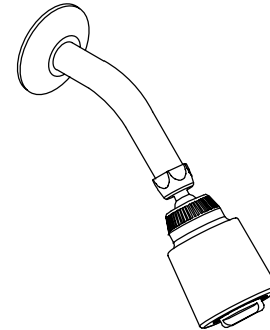


**FEATURES**

- Metal construction
- Brass valve body
- Rite-Temp pressure-balancing diaphragm design valve
- High-temperature limit stop
- Pressure-balancing mechanism of one-piece diaphragm cartridge design for ease of maintenance
- Mixing valve cycles from “cold” to “hot”
- Lever handle

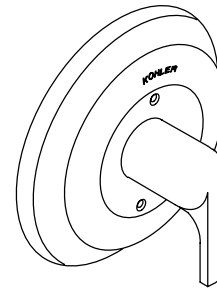
ADA



**CODES/STANDARDS APPLICABLE**

Specified model meets or exceeds the following:

- ASME/ANSI A112.18.1M
- ASSE/ANSI 1016
- Canadian Standards Association (CSA)
- IAPMO/UPC
- NSF 14

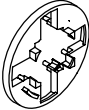


**COLORS/FINISHES**

- CP Polished Chrome
- PB Polished Brass
- Other Refer to Faucets Price Book for additional finishes

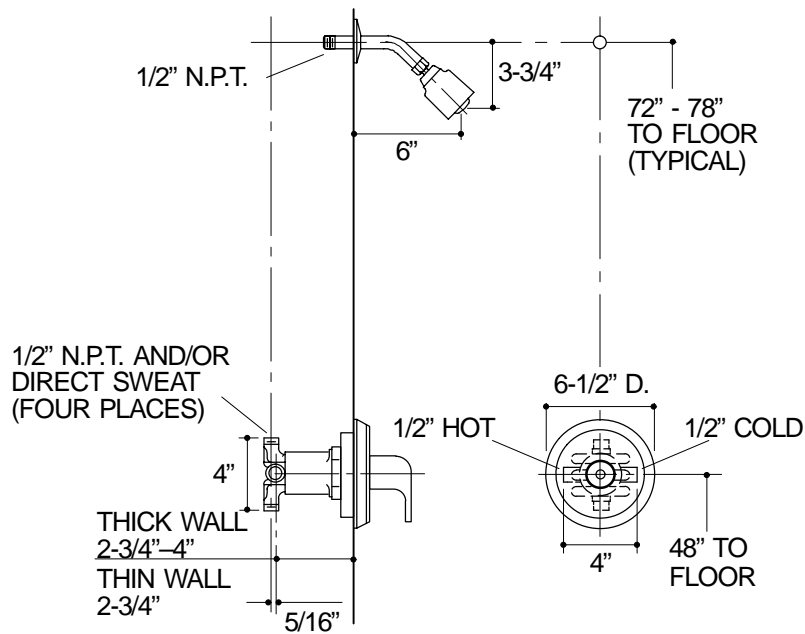
**SPECIFIED MODEL:**

Model	Description			
K-15115-4	Coralais Rite-Temp Pressure-Balancing Shower Faucet	<input type="checkbox"/> CP	<input type="checkbox"/> PB	<input type="checkbox"/> Other_____

Optional Accessory		
K-15145	Fiberglass Installation Plate	
		<input type="checkbox"/> NA

**PRODUCT SPECIFICATION:**

Rite-Temp pressure-balancing single-control shower faucet shall be of metal construction. Faucet shall feature a brass valve body. The valve shall mix the water from the “off” position, through the “cold” to the “hot”, and includes a high-temperature limit stop. The pressure-balancing mechanism shall be of one-piece diaphragm cartridge design for ease of maintenance. Product shall include showerhead with arm and flange, and faceplate with lever handle. Faucet shall be Kohler Model K-15115-4-\_\_\_\_\_.



**PRODUCT DIAGRAM**