

### Ordering Information

|                                   |           |             |
|-----------------------------------|-----------|-------------|
| Applicable product:               |           |             |
| Right outlet (Polished Chrome)    | K-1050-CP | shown       |
| Right outlet (Polished Brass)     | K-1050-PB | shown       |
| Left outlet (Polished Chrome)     | K-1051-CP | not shown   |
| Left outlet (Polished Brass)      | K-1051-PB | not shown   |
| Accessories/hardware:             |           |             |
| Drain                             | K-7161-AF | recommended |
| Shower enclosure                  | K-9846    | required    |
| Coralais BodySpa Rite-Temp faucet | K-1097    | recommended |
| Coralais two-handle faucet        | K-1096    |             |
| Removable seat                    | K-9529    | optional    |

### Requirements Electrical Service

|   |                     |
|---|---------------------|
| Dedicated circuit required, protected with Class A Ground-Fault Circuit-Interrupter (GFCI): |                     |
| Pump/control  | 120 V., 20 A, 60 Hz |

### Product Information

|   |             |               |          |      |
|---|-------------|---------------|----------|------|
| Fixture*:   | basin area  | top area      | weight   |      |
| Bathing well  | 45" x 21"   | 52" x 26"     | 275 lbs. |      |
|   | water depth | capacity      |          |      |
| To overflow   | 11-1/2"     | 48-1/2 gal.** |          |      |
| * Approximate measurements for comparison only.   |             |               |          |      |
| **29 gallon minimum required for BodySpa operation; 44 gallon minimum required for whirlpool operation. |             |               |          |      |
| Pump:   | HP          | V             | Hz       | A    |
| 2-speed   | 1           | 120           | 60       | 16.5 |

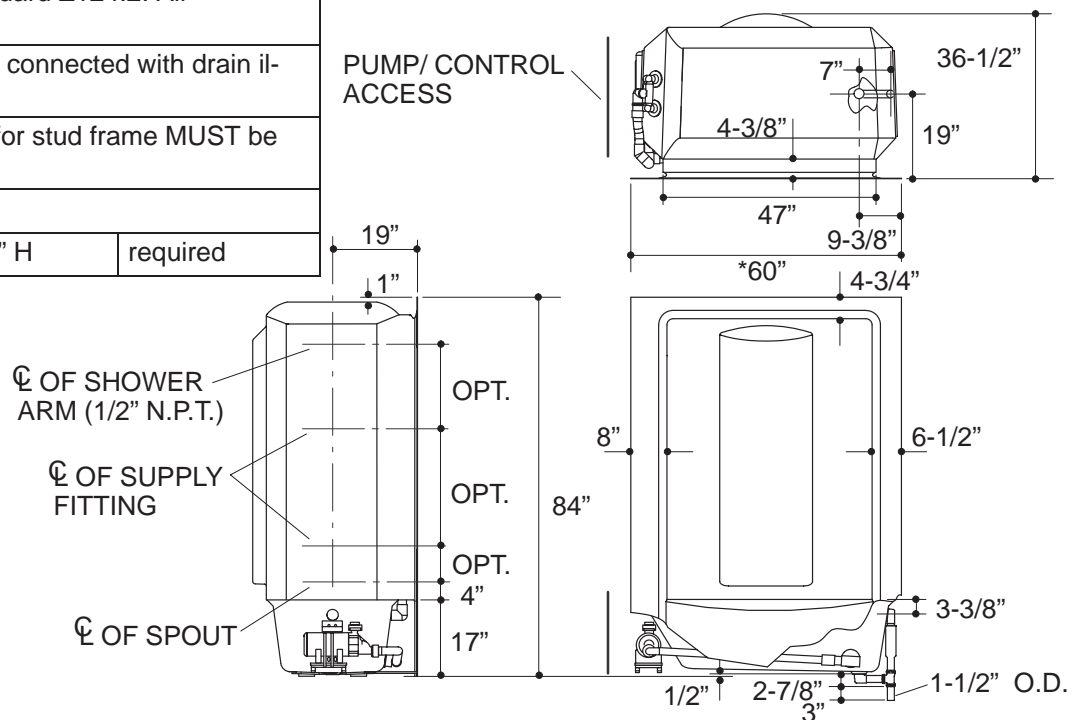
### Installation Notes

Refer to installation instructions included with fixture before beginning installation.

Unit is not drilled for supply fittings.

Each pump is supplied with a grounding type plug-in cord. Locate the outlet behind the whirlpool, and within 24" of the pump.

|   |               |          |
|---|---------------|----------|
| <b>Roughing-In Notes</b>  |               |          |
| Fixture conforms to ANSI Standard Z124.2. All dimensions are nominal. |               |          |
| No change in measurements if connected with drain illustrated.        |               |          |
| *Unit width is 60", roughing-in for stud frame MUST be 60-1/2".       |               |          |
| Minimum access panel:   |               |          |
| Pump/control  | 22" W x 22" H | required |



.75<132