

Kevin Darr, MD

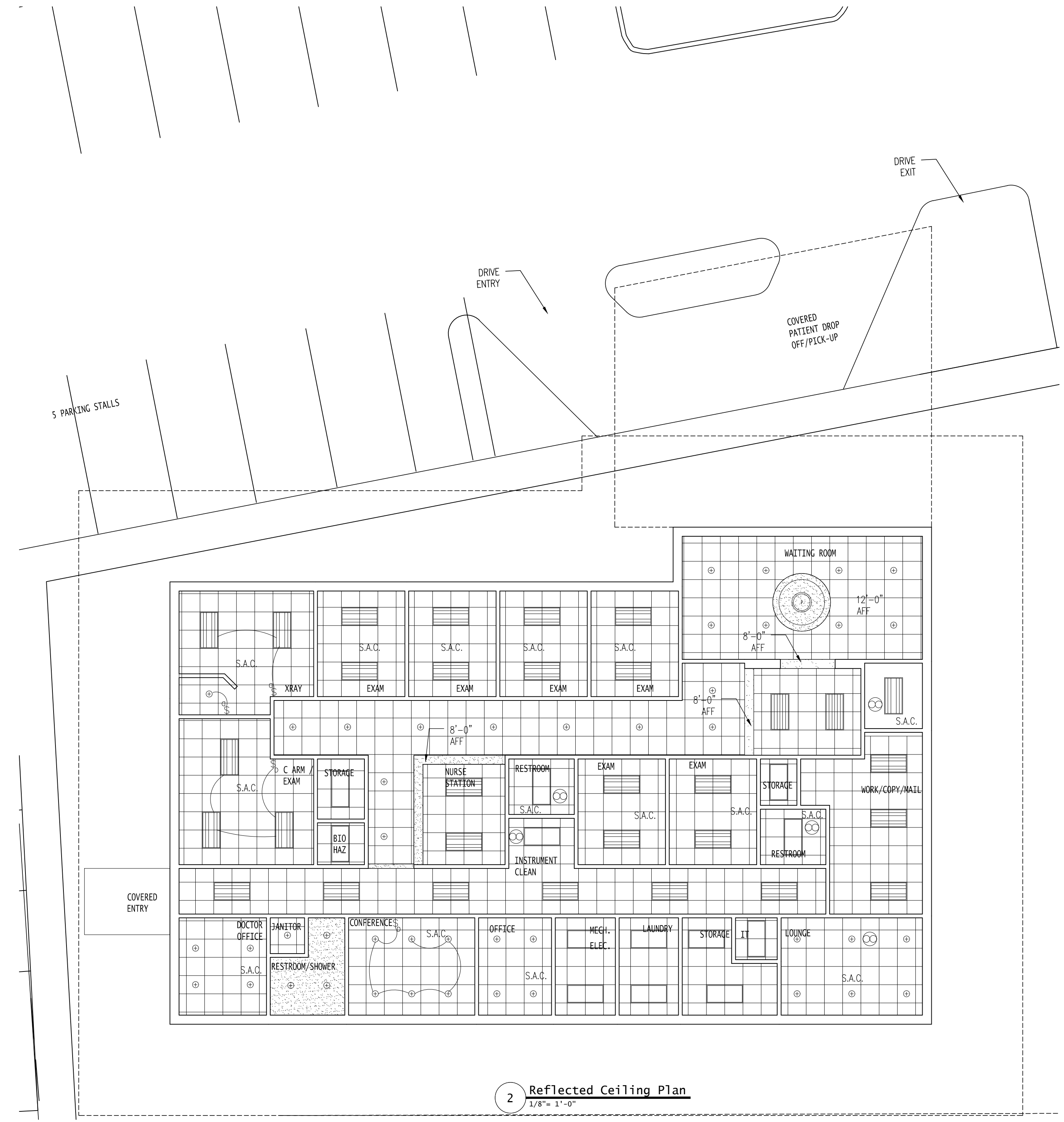
Covington, LA

Final Practice Plans

FP - 1.1 Floor & Reflected Ceiling Plans

FP - 1.2 Furniture Electrical & HVAC Zoning Plans

FP - 2.1 Custom Cabinets



Floor Plan Notes

- All dimensions are from finished face of gypsum board.
- Plumbing walls shall use staggered stud construction to reduce sound transmission.
- 5 Adjustable shelves (melamine finish) using standards and brackets.

Wall Types

Symbol	Description	Notes
	Wall Partition	3 5/8" Metal Studs with 5/8" Gypsum Board on each side.
	Sound Walls	3 5/8" Metal Studs with 5/8" Gypsum Board on each side with cross hatched fiber sound batts within stud cells. Walls shall extend 2" above ceiling height.

These drawings are practice planning drawings and are not construction drawings suitable for permitting. The Architect of record is responsible for all code compliance including but not limited to zoning regulations, building regulation and accessibility requirements. The architect of record shall coordinate this information with structural, electrical and mechanical engineers. **All existing conditions must be field verified.**

Reflected Ceiling Plan Notes

- Engineer to confirm that lamps used shall be easily purchased locally.
- SAC - Denotes the location of sound batts in ceilings. Sound batts shall extend 2'-0" into adjoining rooms.
- Electrical engineer shall perform light study to determine the proper footcandle levels throughout the facility.
- If a plenum return is utilized, provide sound boots on all return vents. Return vents shall not face near by return vents to limit sound transmission between rooms.
- All ceiling heights to be 9'-0" AFF, unless noted otherwise.

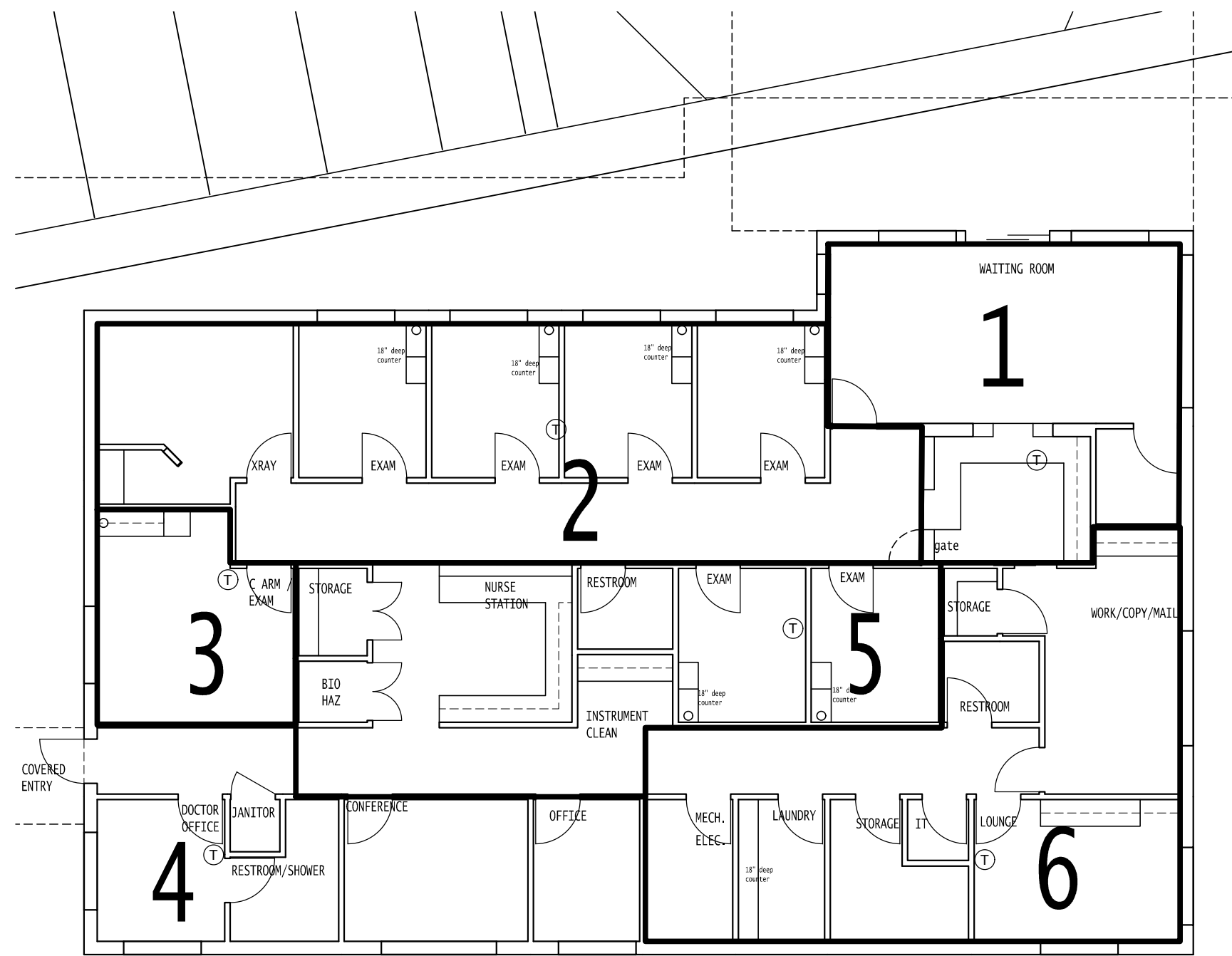
Reflected Ceiling Legend

Symbol	Description	Recommendation	Notes
	2'x2' Volumetric	Lithonia Avante	Color temperature 5000K - fully dimmable where dimmers shown
	2'x4' Volumetric	Lithonia Avante	Color temperature 5000K - fully dimmable where dimmers shown
	2'x2' Acrylic		Color temperature 5000K - fully dimmable where dimmers shown
	2'x4' Acrylic		Color temperature 5000K - fully dimmable where dimmers shown
	Small Dimmable Pendant		
	Adjustable Eye Downlight		
	Downlight		
	Exhaust Fan		
	3 Way Switch		Mount 48" above finished floor or 8" above countertop (centerline)
	Dimming Switch		Mount 48" above finished floor or 8" above countertop (centerline)
	Single Pole Switch		Mount 48" above finished floor or 8" above countertop (centerline) unless noted otherwise.

Kevin Darr, MD
Covington, LA 251003 February 4, 2026
Final Practice Plans

Floor Plan & Reflected Ceiling Plan





2 HVAC Zoning Plan
1/8" = 1'-0"

This HVAC Zoning plan is for comfort and equipment needs only. Cost to achieve zones should be approved by owner.

HVAC Zoning Legend

Symbol	Description	Notes
(T)	Thermostat	



2 Furniture Electrical Plan
1/8" = 1'-0"

These drawings are practice planning drawings and are not construction drawings suitable for permitting. The Architect of record is responsible for all code compliance including but not limited to zoning regulations, building regulation and accessibility requirements. The architect of record shall coordinate this information with structural, electrical and mechanical engineers.

Furniture Electrical Plan Notes

- Do not use back to back electrical and device boxes in sound walls.
- Coordinate mounting locations of electrical and data outlets with owner's equipment representatives.
- Building electrical system shall be protected with a Transient Voltage Surge Suppressor system.
- Provide conduit and pull tape for all data/phone outlets.

Equipment List

Equipment	Location	Model	Notes
VF	VF	Humphrey Visual Field Analyzer Model 7403	See Equipment PDF
IOL	DIAG 1	Ziess IOL	See Equipment PDF (Similar)
PENTA	DIAG 1	Oculus Pentacam S/N 49916011	See Equipment PDF
FUNDUS	FUNDUS		See Owner's Equipment
OCT	OCT	Ziess Stratus OCT 3	See Equipment PDF
NIDEK EPIC		Nidek ARK-530A Auto Refractor System	See Equipment PDF
Exam Chair	ALL EXAMS	Rolance Chair Model 7000H	See Equipment PDF
Exam Stand	ALL EXAMS		See Owner's Equipment mounted on stand
REF	LOUNGE	To Be Determined	with Ice Maker and Water Dispenser

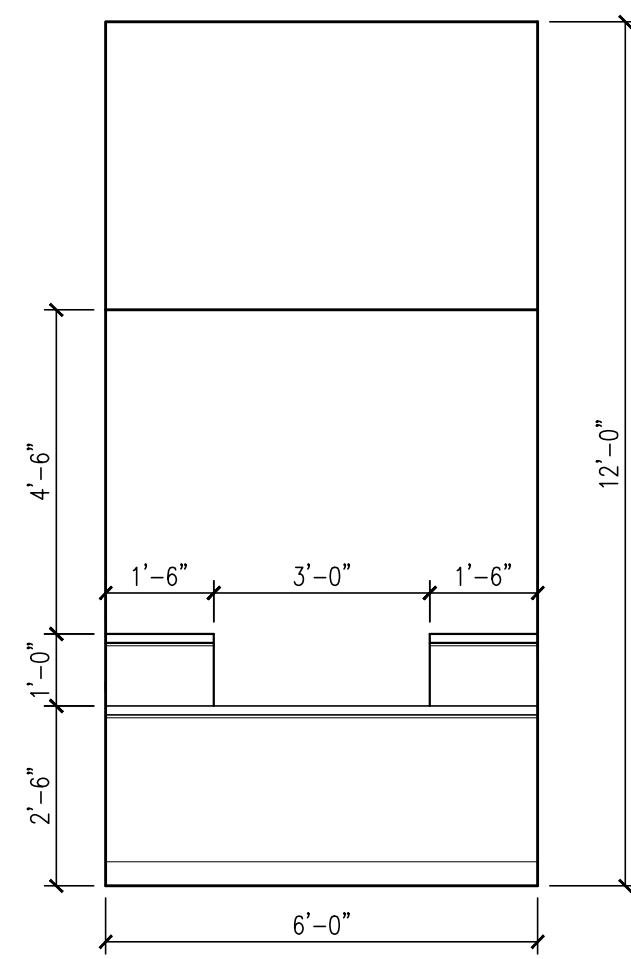
Electrical Legend

Symbol	Description	Recommendation	Notes
⊕	Duplex Receptical		Mount 18" above finished floor (centerline)
⊕	High Mounted Duplex Receptical		Mount 8" (centerline) above work surface unless noted otherwise.
⊕	Switched Duplex Receptical		Mount 18" above finished floor (centerline)
⊕	Quadplex Receptical		Mount 18" above finished floor (centerline)
⊕	Recessed Floor Duplex Receptacle		
⊕	Recessed Floor Duplex Receptacle and Data		
⊕	Recessed Floor Quad Receptacle and Data		
▽	Phone and Communication Outlet		Mount 18" above finished floor (centerline)
▽	High Mount Phone and Communication Outlet		Mount 54" above finished floor or 8" above countertop (centerline) unless noted otherwise.
⊕	Room Sequencing Communication Lights		Coordinate with equipment representative.
⊕	Tech/MD/Staff Communication Lights		Coordinate with equipment representative.
⊕	Junction Box		
⊕	Cable/Satellite Television Outlet		Coordinate mounting height with owner's equipment and TV mounting hardware. Hide television and duplex outlet behind TV.

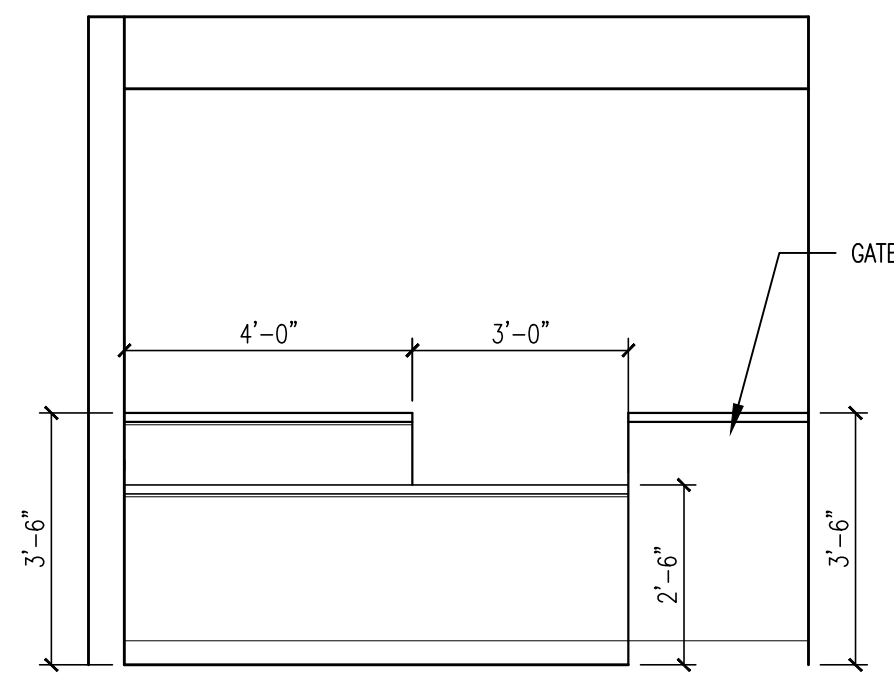
Kevin Darr, MD
Covington, LA 251003 February 4, 2026
Final Practice Plans

Furniture Electrical & HVAC Zoning Plans

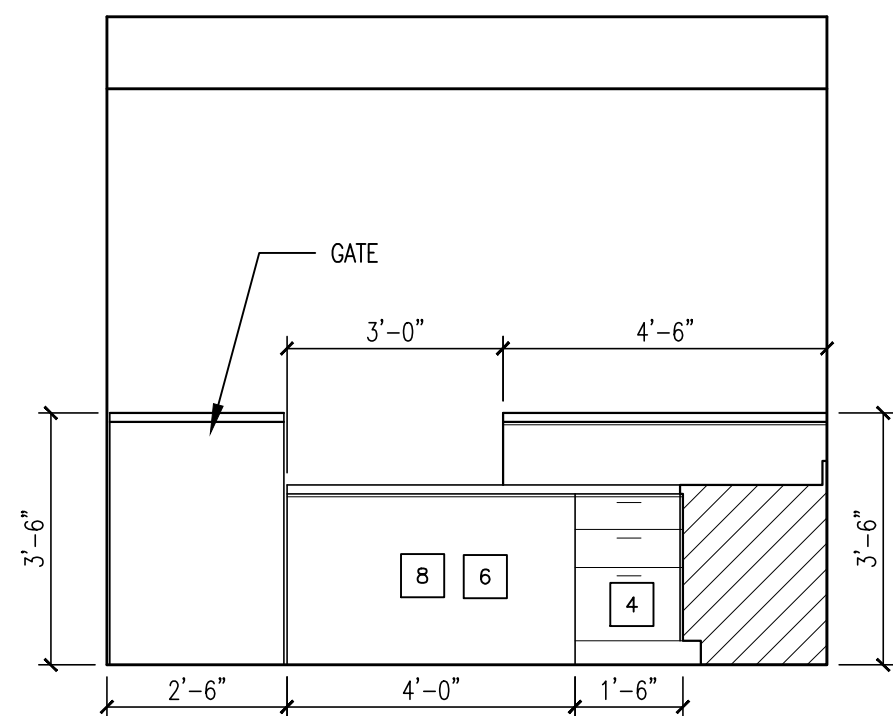
LRB



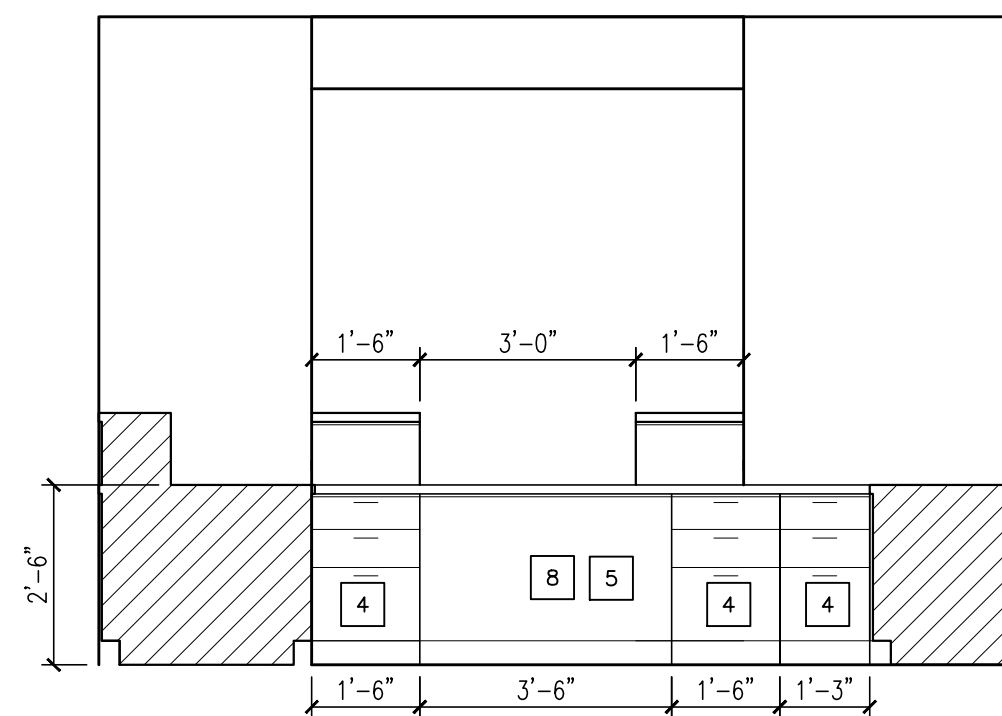
1 RECEPTION
3/8" = 1'-0"



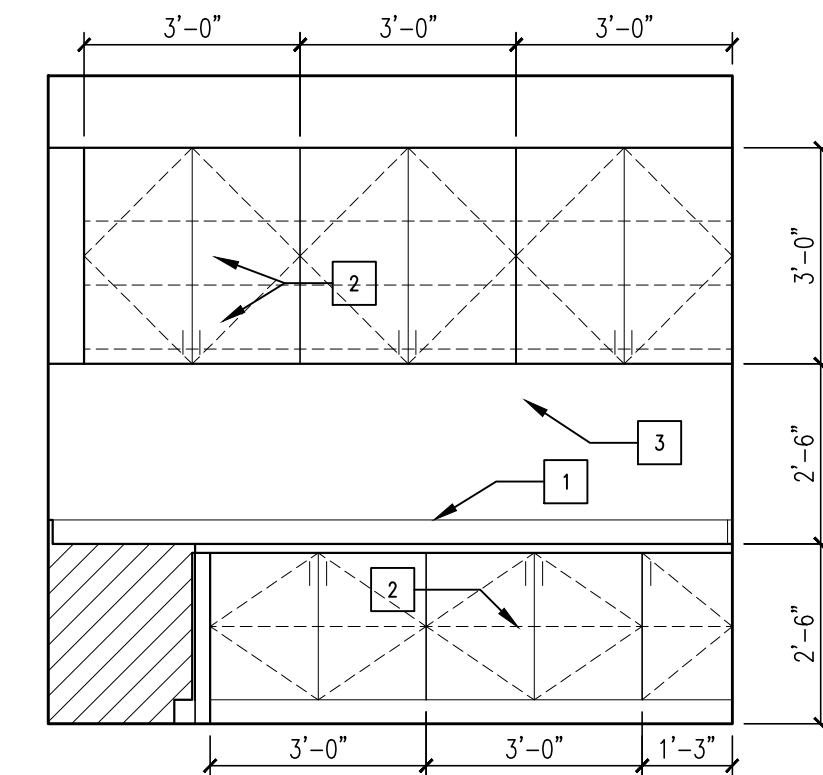
2 CHECK-OUT
3/8" = 1'-0"



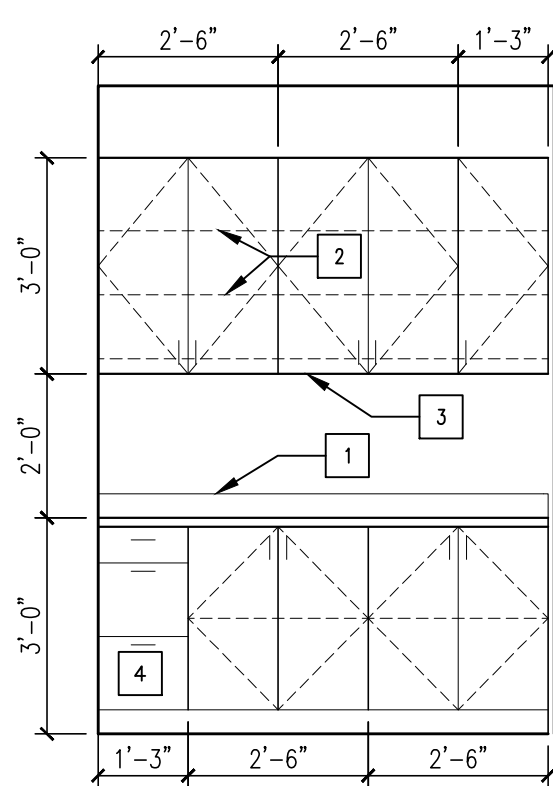
3A CHECK-IN/OUT
3/8" = 1'-0"



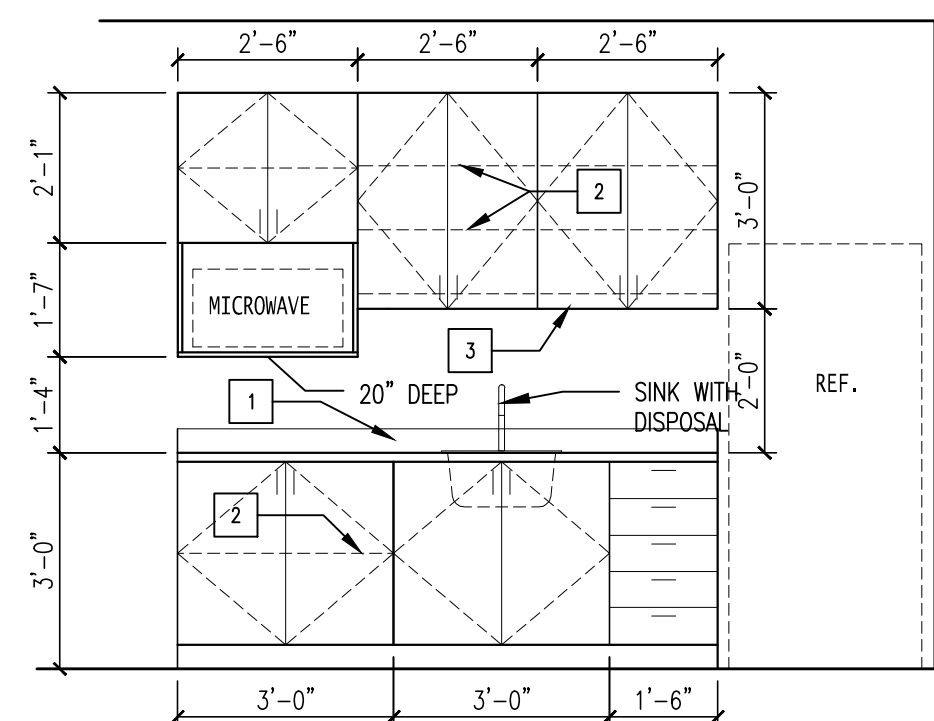
3B CHECK-IN/OUT
3/8" = 1'-0"



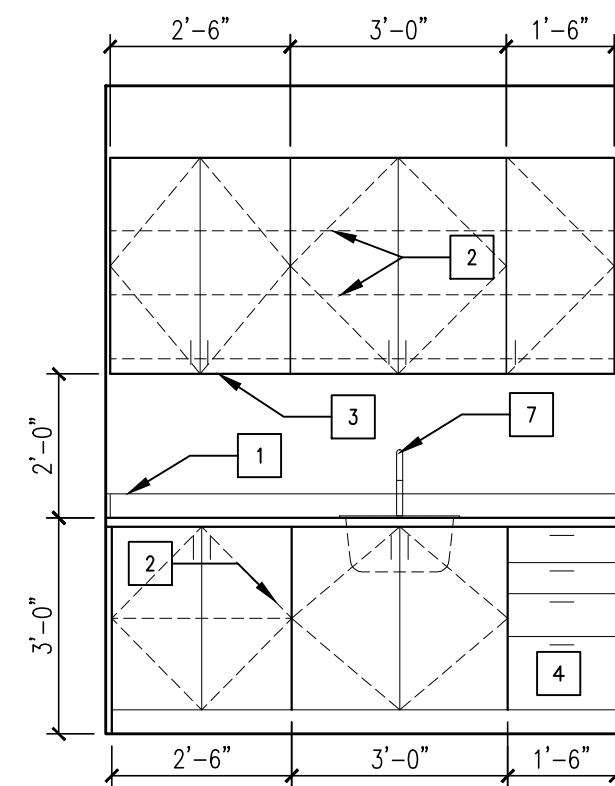
3C CHECK-IN/OUT
3/8" = 1'-0"



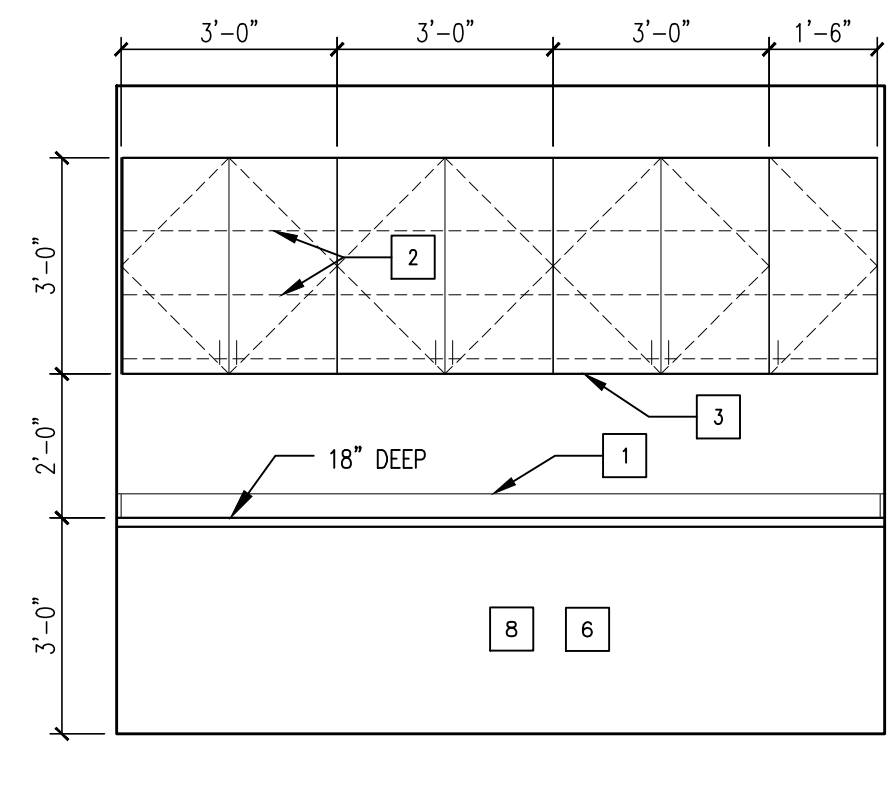
4 WORK/MAIL/COPY
3/8" = 1'-0"



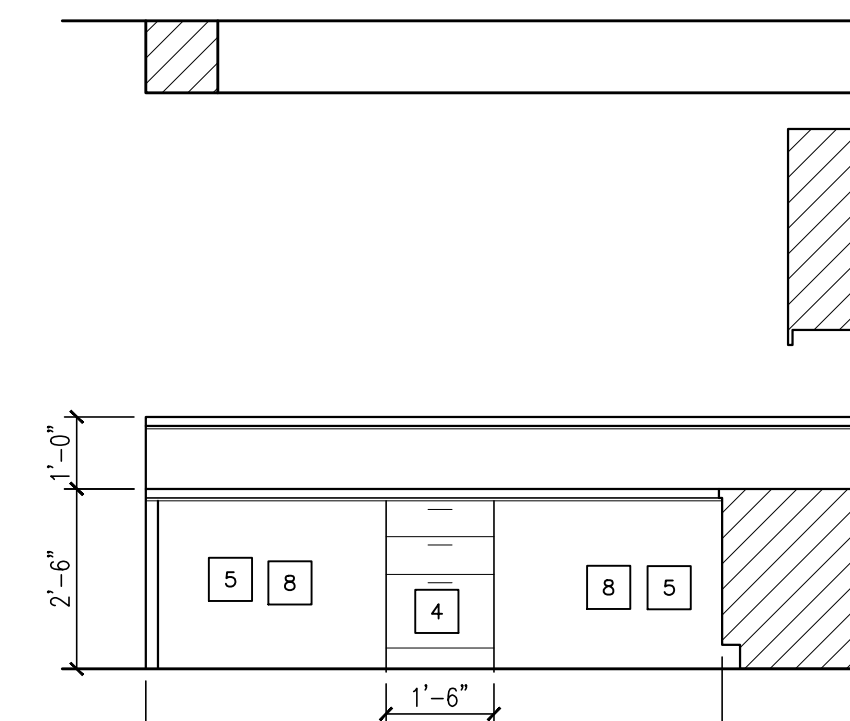
5 LOUNGE
3/8" = 1'-0"



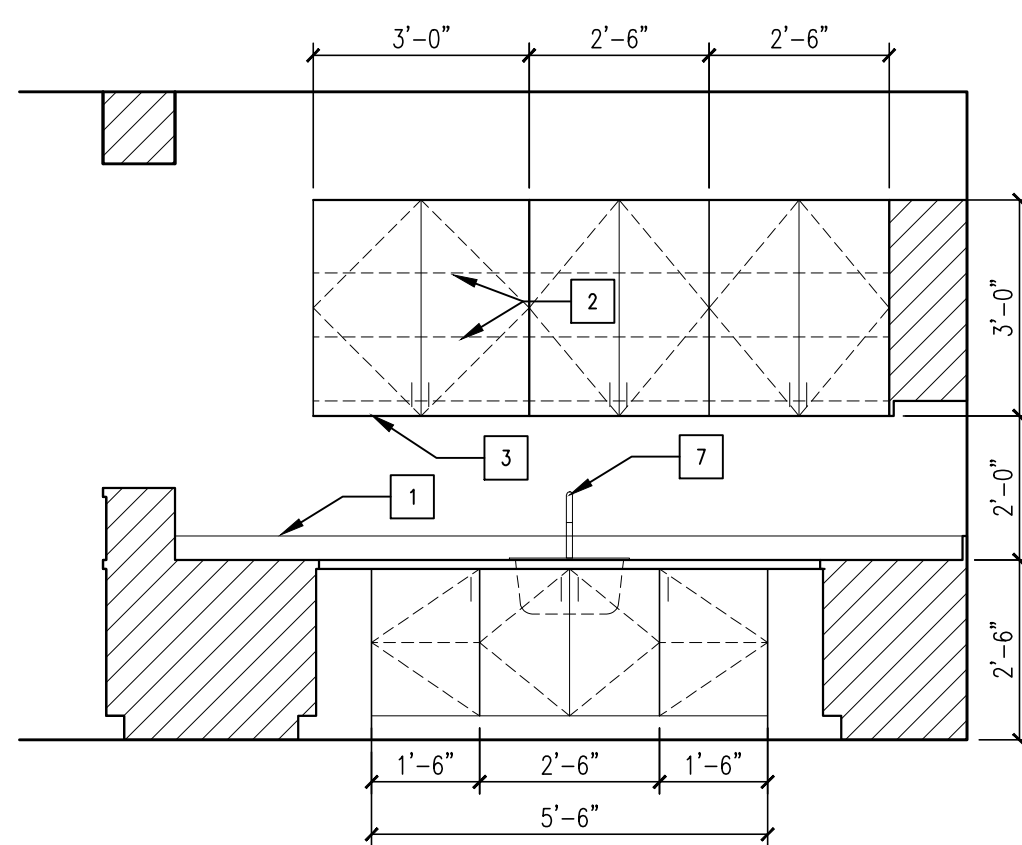
6 INSTRUMENT CLEAN
3/8" = 1'-0"



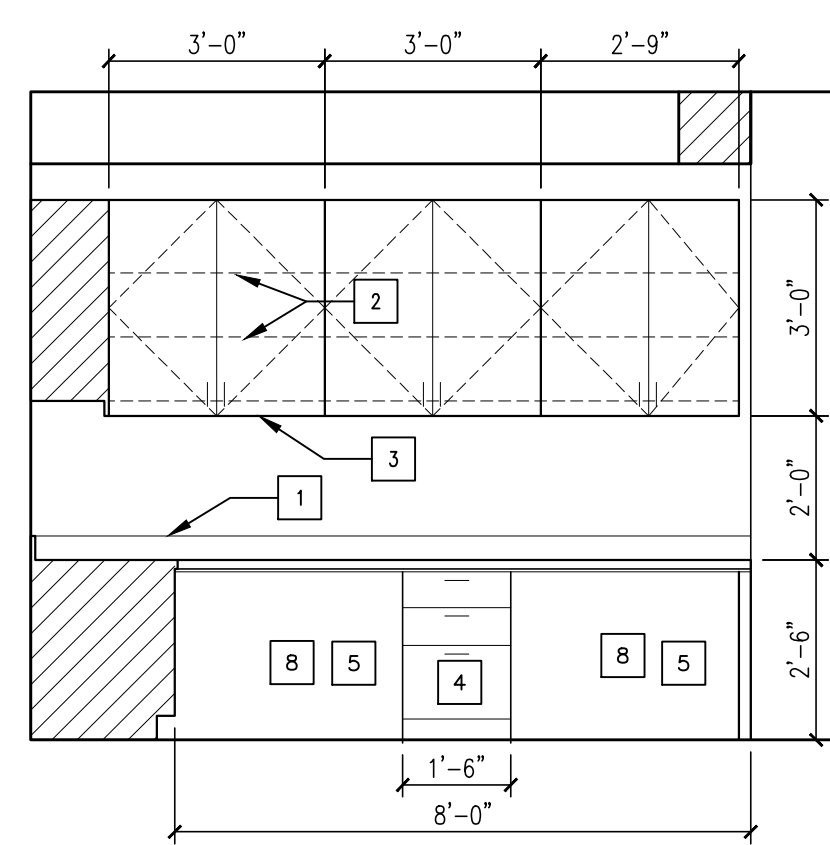
7 LAUNDRY
3/8" = 1'-0"



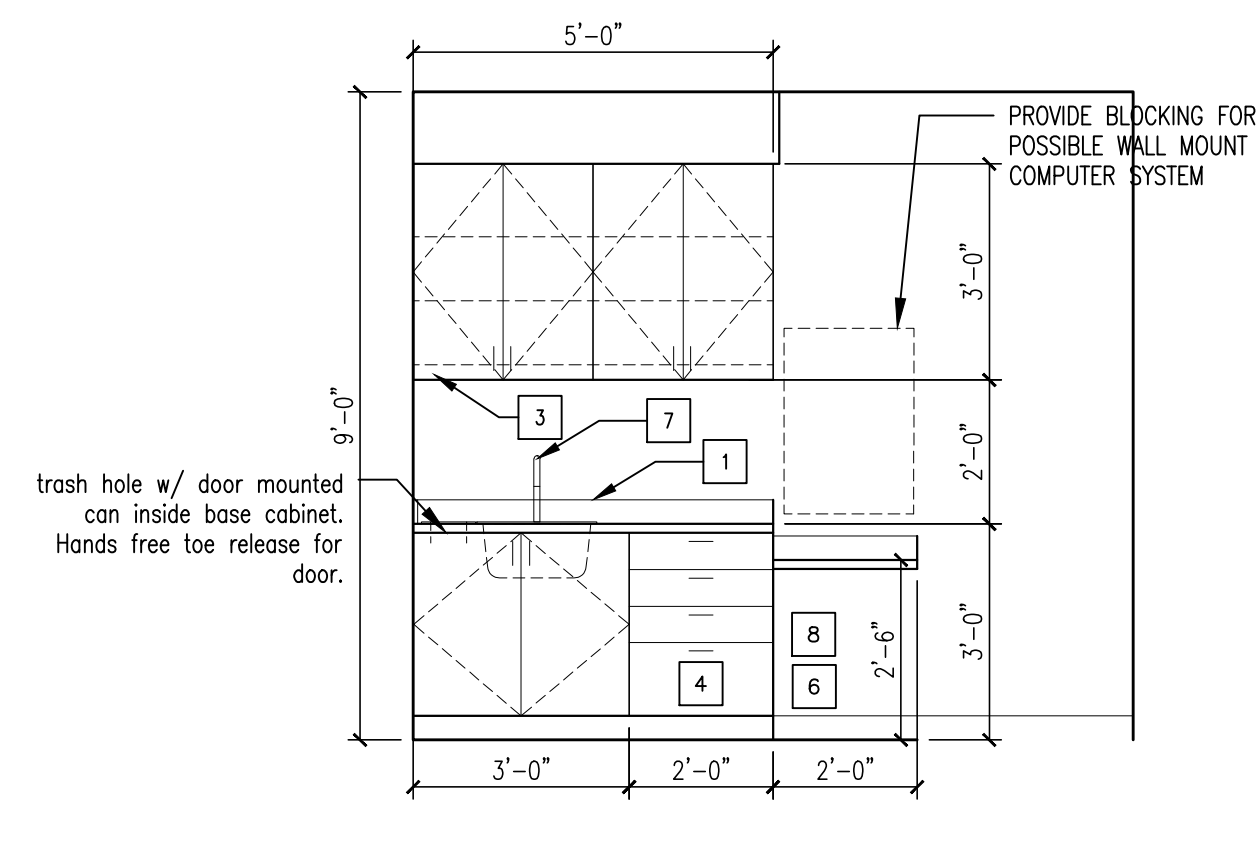
8A NURSE STATION
3/8" = 1'-0"



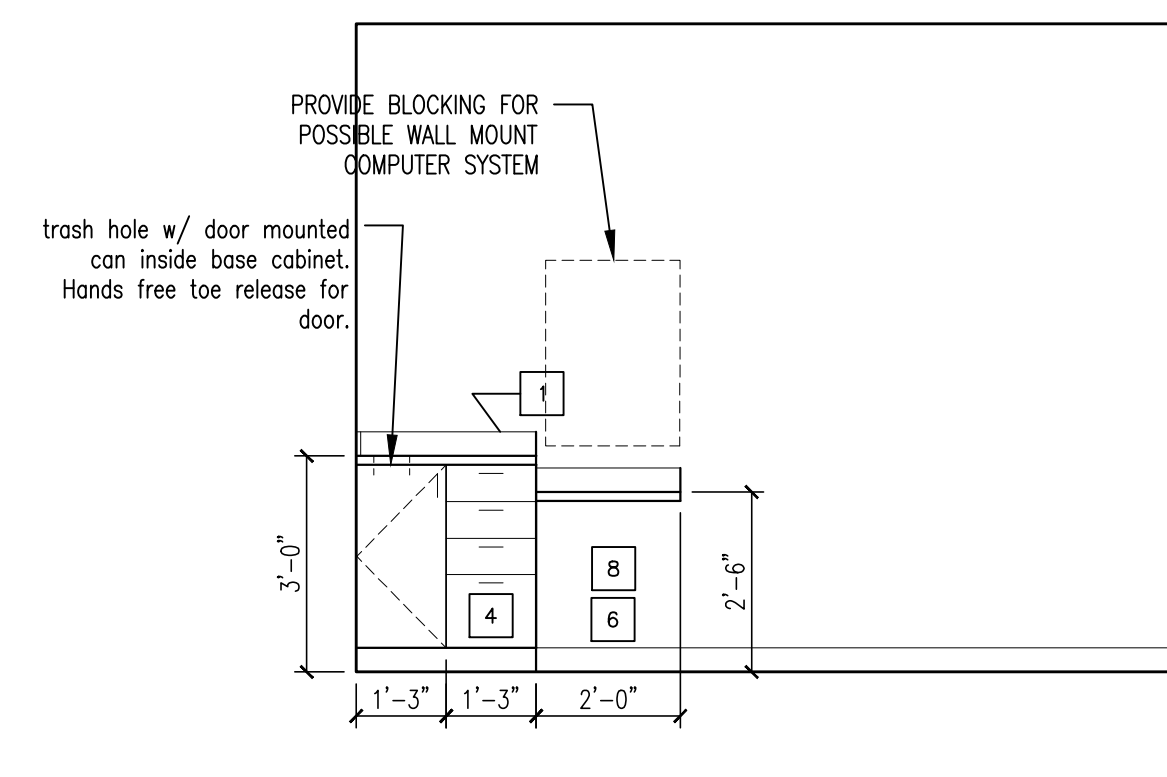
8B NURSE STATION
3/8" = 1'-0"



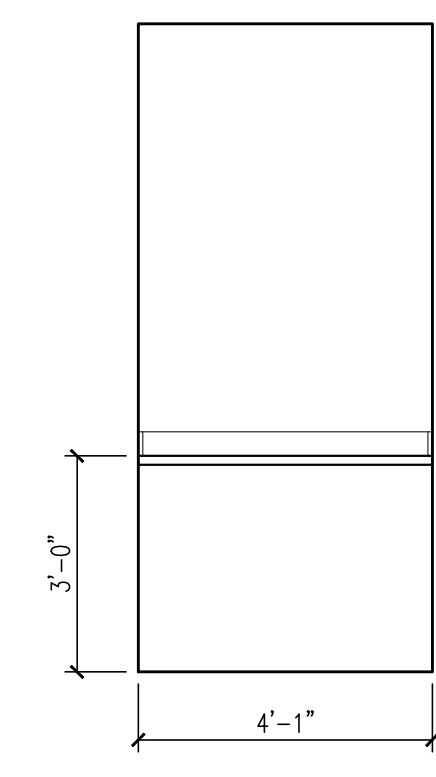
8C NURSE STATION
3/8" = 1'-0"



9 C ARM / EXAM ROOM
3/8" = 1'-0"



10 EXAM ROOM
3/8" = 1'-0"



11 XRAY ROOM
3/8" = 1'-0"

Reference Legend

- 1 4" Backsplash (Typical at all locations where countertops meet walls.)
- 2 Adjustable Shelf/Shelves (1" Increments)
- 3 2 1/2" Valance (See Reflected Ceiling Plans for any tasklighting.)
- 4 Provide hanging file drawer hardware. Provide clearance for folder labels.
- 5 Provide Typical Millwork Corbel (Design and number determined by Structural Engineer.)
- 6 Provide Steel Corbel to not impede knee space (Design and number determined by Structural Engineer.)
- 7 Sink
- 8 Knee Space (2'-1" clear)

Floor Plan Notes

- 1. All custom cabinetry to be field verified in order to meet actual conditions.
- 2. Upper Cabinets shall have a 1'-0" inside clear dimension unless noted otherwise.
- 3. Lower cabinets shall be 2'-0" deep unless noted otherwise.
- 4. Provide blocking in walls for all cabinets and owner furnished equipment.
- 5. Provide grommets at all knee spaces and open counters (1 per 3' linear length of counter. Final locations to be determined by owner once cabinetry is in place.

Kevin Darr, MD
Covington, LA 251003 February 4, 2026
Final Practice Plans

Custom
Cabinet
Elevations