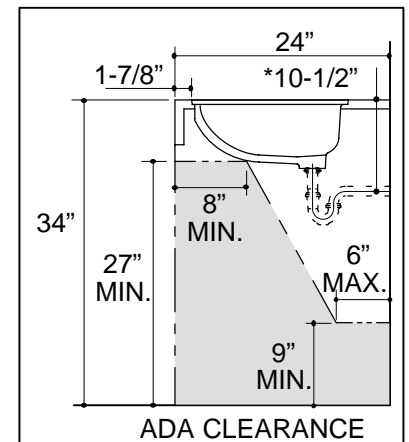
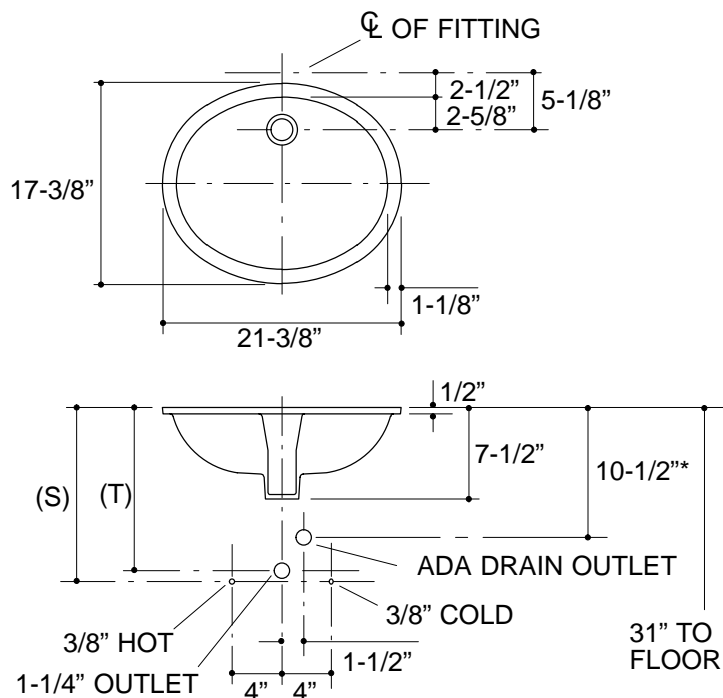


Ordering Information

Accessories/hardware:		
Metal frame	K-6681	recommended
Trap	K-8998	optional

Product Information

ADA compliant.			
Fixture*:		basin area	water depth
Lavatory		19" x 15"	4"
Outlet	1-3/4" D.		
* Approximate measurements for comparison only.			



Roughing-In Notes

Fixture dimensions are nominal and conform to tolerances in ASME Standard A112.19.2M.

*Based on K-8998 with 1" of tailpiece exposed.

(T) Pop-up drain typically 13-1/8", drain typically 12-1/4".

(S) 14" (Based on 12" riser which may require cutting).

Cutout	metal frame required.
--------	-----------------------

.9<116