

### NEO-ANGLE SHOWER RECEPTOR

# K-9542

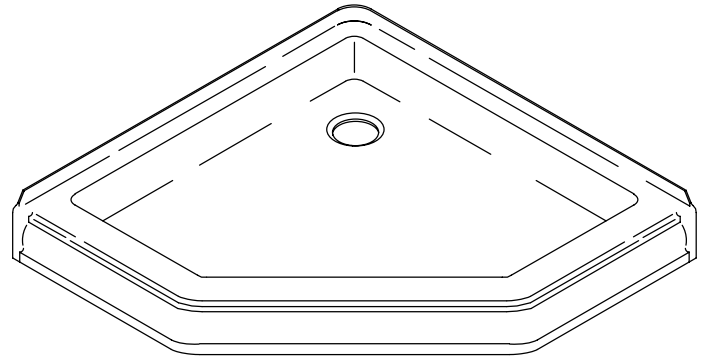
#### FEATURES

- 42" x 42"
- Acrylic
- Reinforced with fiberglass
- Slip resistant bottom

#### CODES/STANDARDS APPLICABLE

Specified model meets or exceeds the following:

- ANSI Z124.2
- IAPMO/UPC
- Canadian Standards Association (CSA)
- State of Massachusetts



#### COLORS/FINISHES

- 0 White
- Other Refer to Fixtures Price Book for additional colors

#### Accessories:

- CP Polished Chrome
- PB Polished Brass
- SH Bright Silver
- BH Bright Brass

#### SPECIFIED MODEL:

Model	Description	Colors/Finishes		
K-9542	Neo-angle shower receptor	<input type="checkbox"/> 0 White	<input type="checkbox"/> Other_____	
<b>Recommended Accessories</b>				
K-9132	Drain	<input type="checkbox"/> CP	<input type="checkbox"/> PB	<input type="checkbox"/> Other_____
<b>Optional Accessories</b>				
K-701637	Focal neo-angle shower enclosure*	<input type="checkbox"/> SH	<input type="checkbox"/> BH	<input type="checkbox"/> 0-White
* Refer to Fixtures Price Book for glass options.				

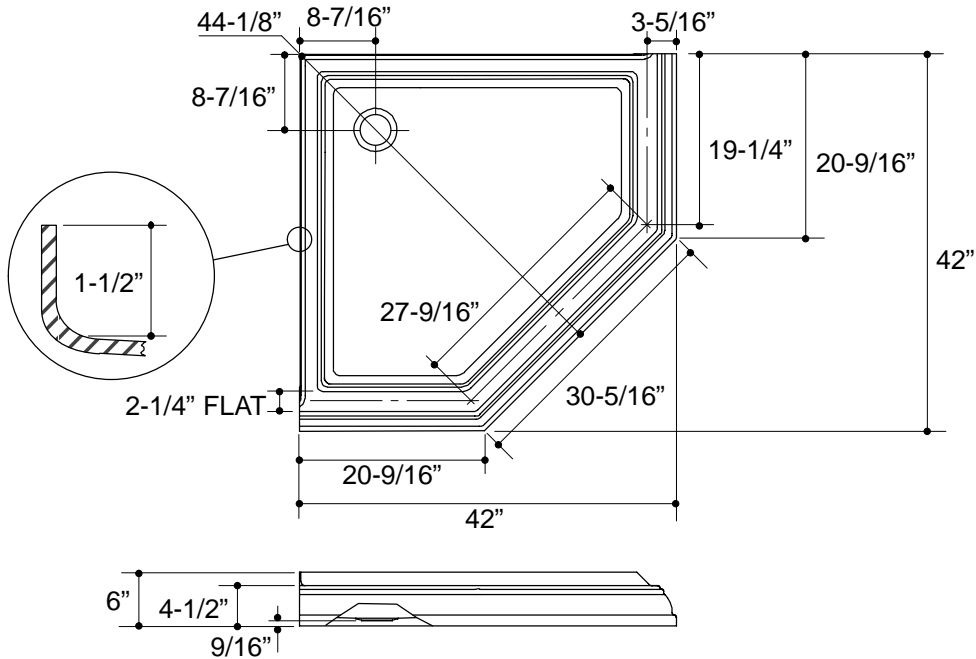
#### PRODUCT SPECIFICATION:

The neo-angle shower receptor shall be 42" in length and 42" in width. Shower receptor shall be made of acrylic reinforced with fiberglass. Shower receptor shall have slip resistant bottom. Shower receptor shall be Kohler Model K-9542-\_\_\_\_\_.

# MEMOIRS®

## PRODUCT INFORMATION

Fixture:	
Weight	35 lbs.
Configuration	1-piece
Drain Outlet	3-3/8" D.



364

## PRODUCT DIAGRAM