

KOHLER® SERVICE PARTS

LAVATORY FITTINGS

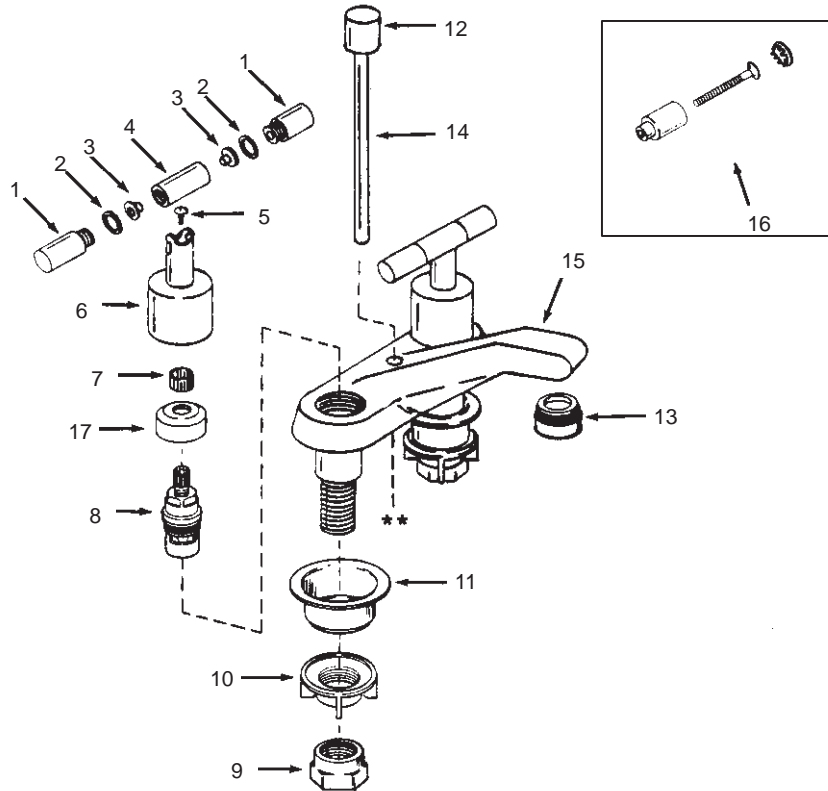
K-8201-FCV TABORET
K-8202-FCV TABORET

CENTERSET LAVATORY FITTING
CENTERSET LAVATORY FITTING

ORDER BY KIT NUMBER OR PART NUMBER, NOT ITEM NUMBER OR KIT LETTER.

Ordering Options

Item	Part No. or Kit
1	A or B
2	A or B, C
3, 4	A or B
5	D
6	43416‡
7	E
8	F or G
9	H, I
10, 11	I
12	500276‡
13	30074‡, K
14	500317‡
15	*
16	L
17	M



Kit Ordering Information

Kit	Kit Part No.	Kit Name	Kit Contents
A	43411 ‡	Handle Trim Kit (Metal Finish)	2 ea., Items 1 and 3; 4 ea., Item 2; 1 ea., Item 4
B	43412 ‡	Handle Trim Kit (Clear)	2 ea., Items 1 and 3; 4 ea., Item 2; 1 ea., Item 4
C	43414	Index Ring Kit	2 ea., Hot, 2 ea., Cold; Item 2
D	43415	Screw Kit	2 ea., Item 5
E	43417	Spline Adapter Kit	2 ea., Item 7
F	30430	Ceramic Cartridge (Hot Side)	1 ea., Item 8
G	30431	Ceramic Cartridge (Cold Side)	1 ea., Item 8
H	30230 ‡	Coupling Nut Kit	2 ea., Item 9
I	30227 ‡	Mounting Hardware Kit	2 ea., Items 9, 10, and 11
J	30074 ‡	Aerator	1 ea., Item 13
K	41061	Vandal Proof Aerator	1 ea., Item 13
L	43413 ‡	Vandal Proof Trim Kit	2 ea., Item 16
M	500253	Stabilizer Kit	2 ea., Item 17

KITS MAY INCLUDE EXTRA PARTS

NOTES:

- * Not available as a service part.
- ** For pop-up drain, see K-7701.

LEGEND:

- ‡ Specify Finish.
- Parts further exploded in catalog; see INDEX.