

KOHLER® SERVICE PARTS

LAVATORY FITTINGS

K-15269

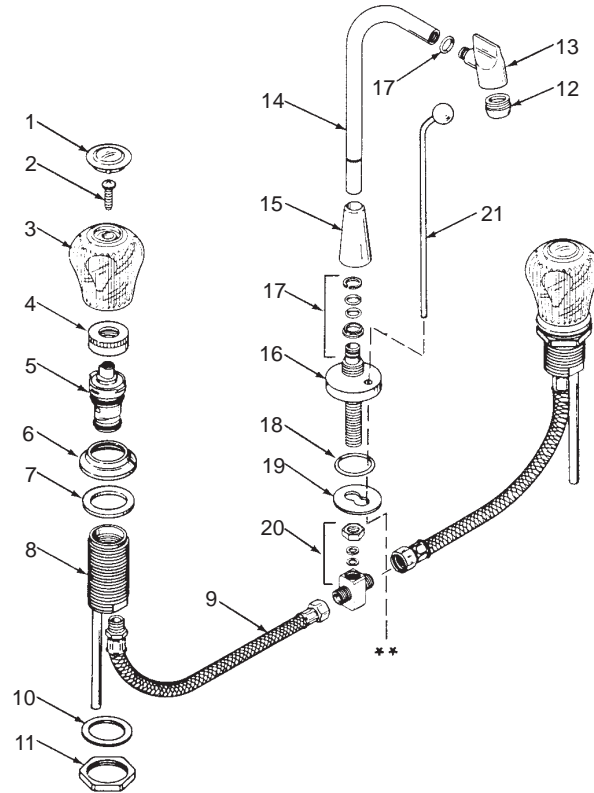
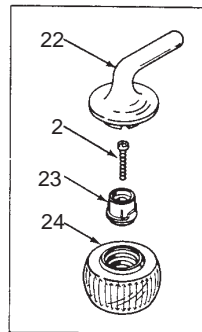
CORALAIS

MULTI-SWIVEL WIDESPREAD LAVATORY FAUCET

ORDER BY KIT NUMBER OR PART NUMBER, NOT ITEM NUMBER OR KIT LETTER.

Ordering Options

Item	Part No. or Kit
1	A, C
2	B, C, M
3	C
4	D
5	E or P
6	F
7	G
8	70436
9	H
10, 11	I
12	30072‡, J
13, 14, 15, 16	J
17	J, K
18	21488
19, 20	L
21	70429‡
22	M
23	M, N
24	M, O, or Q



Kit Ordering Information

Kit	Kit Part No.	Kit Name
A	70275	Plug Buttons
B	70276	Screws
C	70244	Handles
D	70430‡	Bonnets
E	70127	Valve Assembly (Closes Clockwise)
F	70421‡	Escutcheons
G	70435	Washers
H	30233	Hoses
I	30332	Mounting Hardware
J	40321‡	Spout Assembly
K	30407	Spout Service Kit
L	40036	Tee Assembly
M	70457‡	Lever Handle (w/Plastic Skirt)
N	70455	Adapters
O	70456	Plastic Handle Skirts
P	70415	Valve Assembly (Closes Counterclockwise)
Q	K-15299*	Wood Handle Skirts

Kit Contents

1 ea. Hot, 1 ea. Cold; item 1
2 ea., item 2
1 ea. Hot, 1 ea. Cold; items 1, 2 and 3
2 ea., item 4
1 ea., item 5
2 ea., item 6
2 ea., item 7
2 ea., item 9
2 ea., items 10 and 11
1 ea., items 12 thru 17
1 ea., item 17
1 ea., items 19 and 20
1 ea., items 2, 22, 23 and 24
2 ea., item 23
2 ea., item 24
1 ea., item 5
2 ea., item 24

KITS MAY INCLUDE EXTRA PARTS

NOTES:

- * Not available as a service part., order from K-400 Design Manual.
- ** For PB pop-up drain, see Page 2-35 or 2-47.
- For CP pop-up drain, see Page 2-47.

LEGEND:

- ‡ Specify Finish.