

BATH AND SHOWER MODULE

K-1661, K-1662

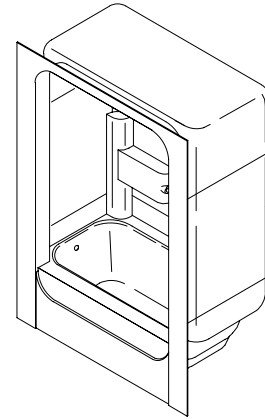
FEATURES

- 60" x 35" x 84"
- Acrylic
- Left or right outlet
- Acrylic grab bars
- Integral high-dome ceiling
- Three-piece design for remodeling installations
- Integral soap ledges
- Slip-resistant floor

CODES/STANDARDS APPLICABLE

Specified model meets or exceeds the following:

- ANSI Z124.2
- IAPMO/UPC
- Canadian Standards Association (CSA)
- State of Massachusetts



COLORS/FINISHES

- 0 White
- Other Refer to Fixtures Price Book for additional colors

Accessories:

- CP Polished Chrome
- PB Polished Brass
- SV Nevada Silver™
- BR New England Brass™
- SH Bright Silver
- BH Bright Brass
- Other Refer to Faucets Price Book for additional finishes
- NA None Applicable

SPECIFIED MODEL:

Model	Description	Colors/Finishes	
K-1661	Bath and shower module with outlet at left	<input type="checkbox"/> 0 White	<input type="checkbox"/> Other_____
K-1662	Bath and shower module with outlet at right	<input type="checkbox"/> 0 White	<input type="checkbox"/> Other_____

Recommended Accessories				
K-7161-AF	Drain	<input type="checkbox"/> CP	<input type="checkbox"/> PB	<input type="checkbox"/> Other_____

Optional Accessories on Page 2

PRODUCT SPECIFICATION:

The three-piece bath and shower module shall be 60" in length, 35" in width, and 84" in height. Bath and shower module shall be made of acrylic. Bath and shower module shall have an outlet at left or right. Bath and shower module shall have clear acrylic grab bar. Bath and shower module shall have integral high-dome ceiling. Bath and shower module shall have integral soap ledges. Bath and shower module shall be Kohler Model K-_____-_____.

SONATA® II

Optional Accessories				
K-1559	Steam generator			<input type="checkbox"/> NA
K-1570	Dome light			<input type="checkbox"/> NA
K-9846	Sonata Glassworks™ steam bypass bath and shower door* OR	<input type="checkbox"/> SV	<input type="checkbox"/> BR	
K-9855	Sonata Glassworks bypass bath and shower door* OR	<input type="checkbox"/> SV	<input type="checkbox"/> BR	
K-703014	Forum™ bypass bath and shower door*	<input type="checkbox"/> SH	<input type="checkbox"/> BH	<input type="checkbox"/> O White

* Refer to Fixtures Price Book for glass options.

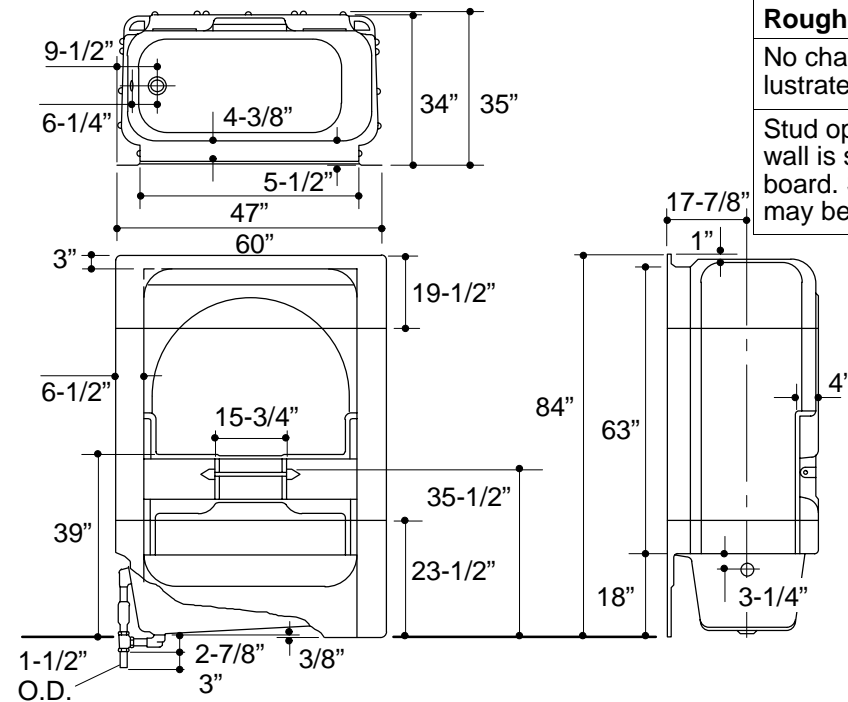
PRODUCT INFORMATION

Fixture*:	basin area	top area	weight
Bathing well	42" x 21"	55" x 25"	208 lbs.
	water depth	capacity	
To overflow	12-1/2"	53 gals.	
Configuration			3-piece
Drain Outlet			3-3/8" D.

* Approximate measurements for comparison only.

INSTALLATION NOTES

Fixture not drilled for supply fittings.
Shimming may be required to level fixture.



Roughing-In Notes
No change in measurements if connected with drain illustrated.
Stud opening tolerance (+ 1/4" - 0"). When fire rated wall is specified, dimensions are to the inside of the wall board. Some shimming between stud frame and fixture may be required.

.75<132

PRODUCT DIAGRAM