

Ordering Information

Accessories/hardware:		
Jet trim kit	K-9696	included
Apron	K-1218	optional
Drain	K-7161-AF	recommended
Vinyl tiling-in bead*	K-1179	optional
*Use K-1179 vinyl bead when wall material contacts any top surface of bath.		

Required Electrical Service

Dedicated circuit required, protected with Class A Ground-Fault Circuit-Interrupter (GFCI):	
Pump/control	120 V., 15 A, 60 Hz

Product Information

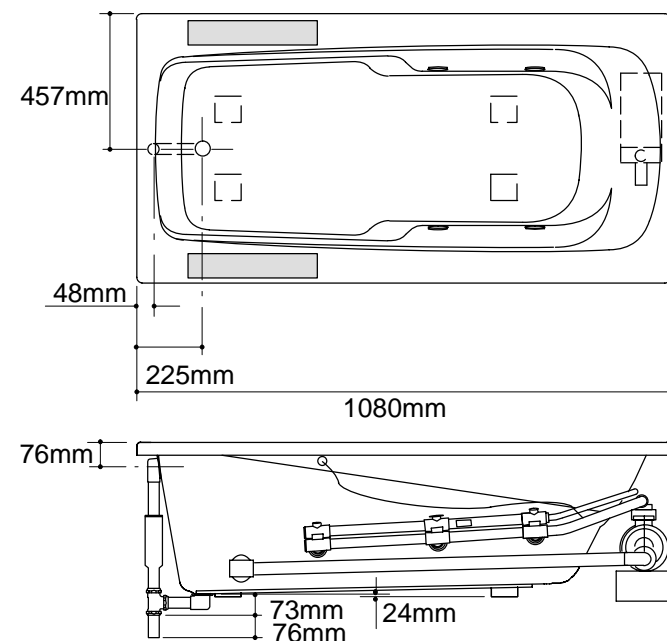
Fixture*:	basin area	top area	weight
Bathing well	1321 x 584mm	1676 x 686mm	50 Kg.
	water depth	capacity	
To overflow	394mm	288 litres	
* Approximate measurements for comparison only.			

Pump:	HP	V	Hz	A
1-speed	3/4	120	60	10.5

Installation Notes

Refer to installation instructions included with fixture before beginning installation.

Pump is supplied with a grounding type plug-in cord. Locate the outlet behind the whirlpool, and within 610mm of the pump.



1.25>132

Roughing-In Notes		
Fixture conforms to ANSI Standard Z124.1. All dimensions are nominal.		
No change in measurements if connected with drain illustrated.		
Cut-out	1778 x 876mm	
Minimum access panel:		
Pump/control	508mm W x 381mm H	required
Faucet area		recommended

