

FEATURES

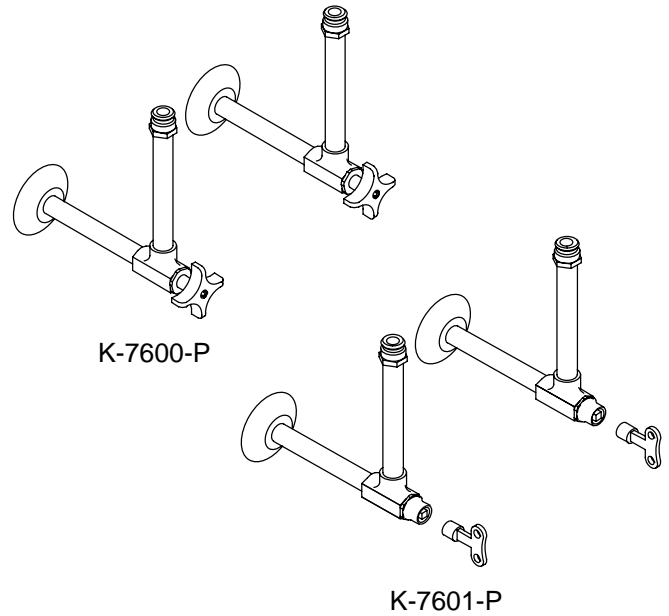
- Brass construction
- Compression valve
- Vertical metal supply tube
- Flange

CODES/STANDARDS APPLICABLE

Specified model meets or exceeds the following:

- ASME/ANSI A112.18.1M
- IAPMO/UPC
- NSF 61

ANGLE SUPPLY WITH STOP, PAIR
K-7600-P
ALSO K-7601-P



COLORS/FINISHES

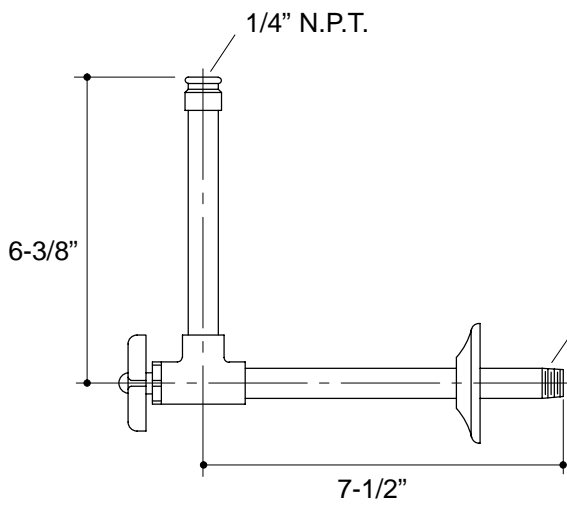
- CP Polished Chrome

SPECIFIED MODEL:

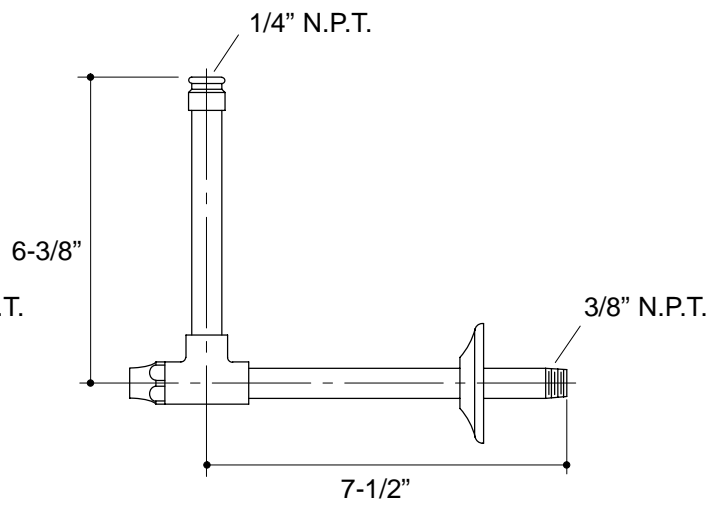
Model	Description	
K-7600-P	With Four-Arm Handle Stop	<input type="checkbox"/> CP
K-7601-P	With Loose Key Stop	<input type="checkbox"/> CP

PRODUCT SPECIFICATION:

Angle supply with stop shall be of brass construction. Product shall include a compression valve, nipple, flange, vertical metal supply tube with 1/4" N.P.T. outlet, and 3/8" N.P.T. inlet connection. Optional feature shall be four-arm handle or loose key stop. Supply (pair) shall be Kohler Model K-_____-P-CP.



K-7600



K-7601

PRODUCT DIAGRAM