

**KITCHEN SINK FAUCET
K-8763
ALSO K-8762**

ADA

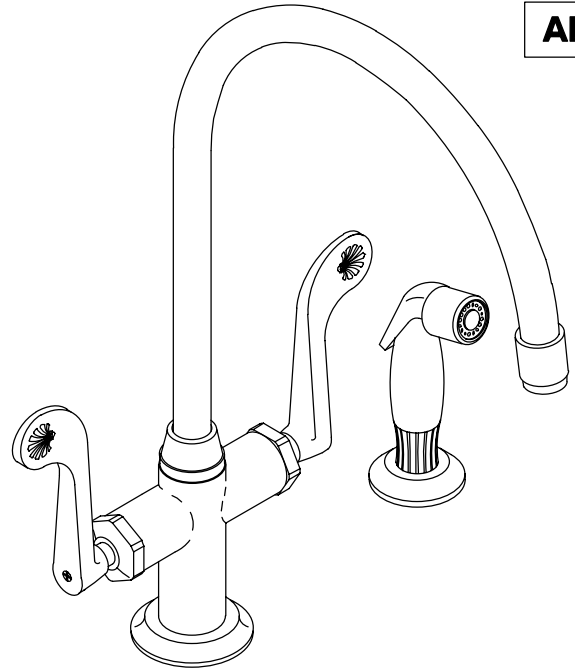
FEATURES

- Brass construction
- Brass valve bodies
- Quarter-turn washerless ceramic disc valves
- 9-1/4" gooseneck swing spout
- 2.5 gallons per minute
- Wristblade handles embossed with fleur-de-lis pattern
- Available with or without black handspray
- Optional escutcheon plate is available for three-hole installations

CODES/STANDARDS APPLICABLE

Specified model meets or exceeds the following:

- ASME/ANSI A112.18.1M
- CSA B125
- Energy Policy Act of 1992
- IAPMO/UPC
- NSF 61

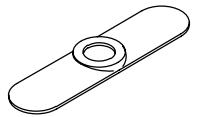


COLORS/FINISHES

- CP Polished Chrome
- PB Polished Brass

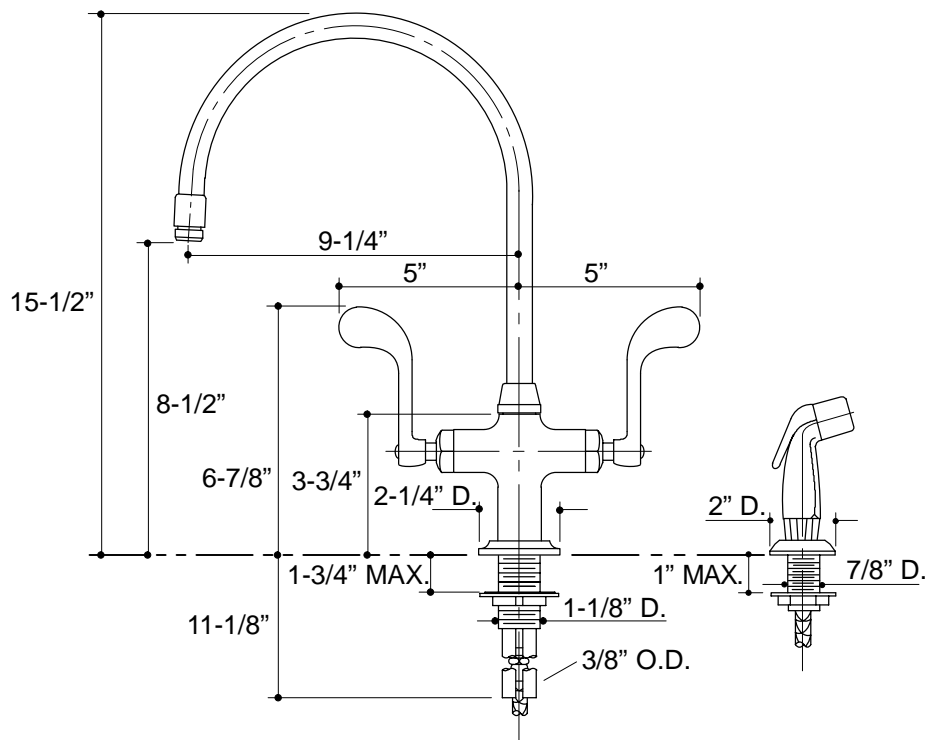
SPECIFIED MODEL:

Model	Description		
K-8762	Less Handspray	<input type="checkbox"/> CP	<input type="checkbox"/> PB
K-8763	With Handspray	<input type="checkbox"/> CP	<input type="checkbox"/> PB

Optional Accessory			
K-14511	10-1/2" Escutcheon Plate for Three-Hole Installations	<input type="checkbox"/> CP	<input type="checkbox"/> PB

PRODUCT SPECIFICATION:

Two-handle kitchen sink faucet shall be of brass construction. Faucet shall feature brass valve bodies. Faucet shall feature quarter-turn washerless ceramic disc valves, assuring positive handle stop positioning. Product shall include 9-1/4" gooseneck swing spout, and wristblade handles. Optional feature shall be with or without black handspray. Faucet shall be Kohler Model K-_____ - _____.



316

PRODUCT DIAGRAM