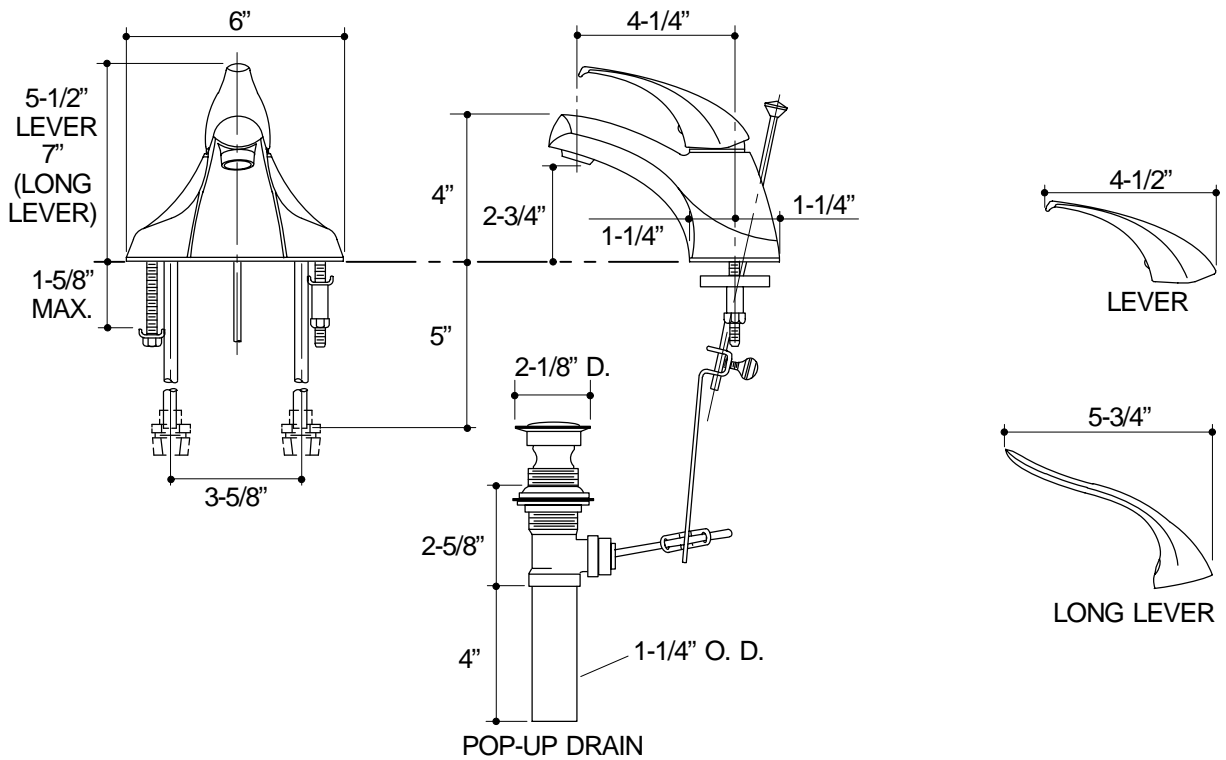


Ordering Information

Applicable lavatory faucet:	
With 4-1/2" lever handle:	
Less ground joints	K-15583
With ground joints	K-15583-P
With 5-3/4" lever handle:	
Less ground joints	K-15583-5
With ground joints	K-15583-5P
ADA Lever handle is ADA compliant	



316

K-15583 Coralais[™] Lavatory Faucet
115839-1-AA (-)

KOHLER[®]

NOTES: