

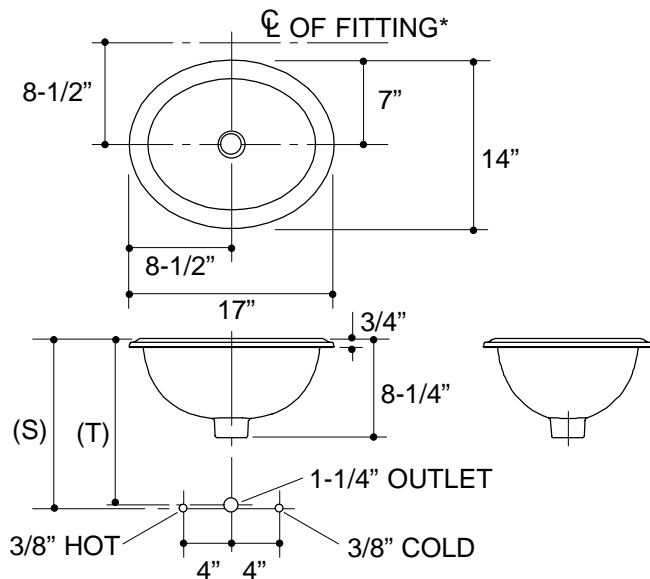
Product Information

Fixture*:		basin area	water depth
Lavatory		14" x 11"	5-1/2"
Outlet	1-3/4" D.		
* Approximate measurements for comparison only.			

Included Components:	
Adhesive sealant	63034
Adjustable linkage	40372
Cutout template	116213-7

Installation Notes

Refer to installation instructions included with fixture before beginning installation.



Roughing-In Notes
Fixture dimensions are nominal and conform to tolerances in ASME Standard A112.19.2M.
(T) Pop-up drain 13-7/8".
(S) 14" (Based on 12" riser which may require cutting).
*Spout must be 4-1/2" long (min.) for adequate clearance into lavatory.