

Twist straps provide a tension connection between two wood members. They resist uplift at the heel of a truss economically. The 3" bend section eliminates interference at the transition points between wood members.

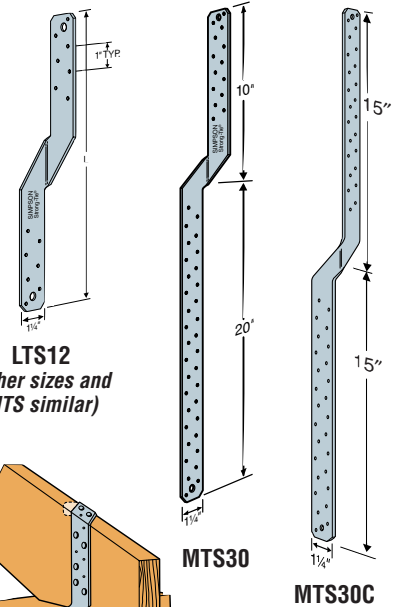
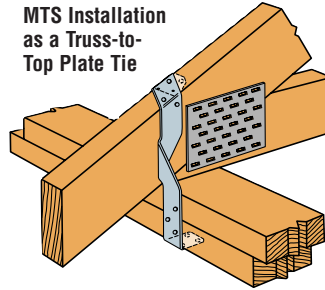
**MATERIAL:** LTS-18 gauge; MTS-16 gauge; HTS-14 gauge

**FINISH:** Galvanized. Some products available in stainless steel and Z-MAX; see Corrosion-Resistance, page 5.

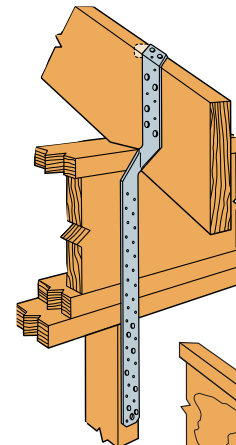
**INSTALLATION:** Use all specified fasteners. See General Notes.

**CODES:** See page 10 for Code Listing Key Chart.

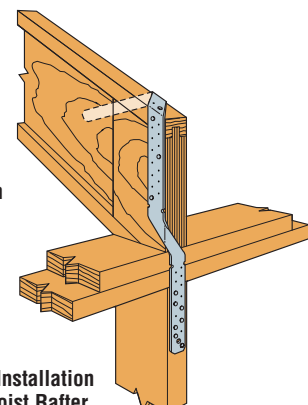
**MTS Installation as a Truss-to-Top Plate Tie**



**LTS12**  
*(other sizes and MTS similar)*



**Typical MTS30 Installation**



**MTS30 Installation with I-joint Rafter**

Model No.	L	Fasteners <sup>2</sup>		Avg Uilt	Doug-Fir-Larch/So Pine Allowable Uplift Loads <sup>3</sup>			Spruce-Pine-Fir Allowable Uplift Loads			Code Ref.
		10d	10dx1½"		10d	10dx1½"		10d	10dx1½"		
					(133/160)	(133)	(160)	(133/160)	(133)	(160)	
LTS12	12	12-10d	12-10dx1½	2383	775	720	720	665	620	620	3, 39, 104, 140
LTS16	16	12-10d	12-10dx1½	2383	775	720	720	665	620	620	
LTS18	18	12-10d	12-10dx1½	2383	775	720	720	665	620	620	
LTS20	20	12-10d	12-10dx1½	2383	775	720	720	665	620	620	
MTS12	12	14-10d	14-10dx1½	3116	1000	840	1000	860	730	860	3, 39, 104
MTS16	16	14-10d	14-10dx1½	3116	1000	840	1000	860	730	860	
MTS18	18	14-10d	14-10dx1½	3116	1000	840	1000	860	730	860	
MTS20	20	14-10d	14-10dx1½	3116	1000	840	1000	860	730	860	
MTS30	30	14-10d	—	3092	995	—	—	720	—	—	170
MTS24C	24	14-10d	14-10dx1½	3116	1000	840	1000	860	730	860	
MTS30C	30	14-10d	14-10dx1½	3116	1000	840	1000	860	730	860	
HTS16	16	16-10d	16-10dx1½	4430	1260	1005	1150	1085	865	990	62, 140
HTS20	20	20-10d	24-10dx1½	4430	1450	1450	1450	1245	1245	1245	
HTS24	24	20-10d	24-10dx1½	4430	1450	1450	1450	1245	1245	1245	
HTS28	28	20-10d	24-10dx1½	4430	1450	1450	1450	1245	1245	1245	
HTS30	30	20-10d	24-10dx1½	4430	1450	1450	1450	1245	1245	1245	
HTS30C	30	20-10d	24-10dx1½	4430	1450	1450	1450	1245	1245	1245	

- LTS12 thru LTS20, MTS16 through MTS30, HTS24 through HTS30C (except HTS30) have additional nail holes.
- Install half of the fasteners on each end of strap to achieve full loads.
- Loads have been increased 33% and 60% for earthquake or wind loading; no further increase allowed; reduce where other loads govern.

- All straps except the MTS30 and HTS30 have the twist in the center of the strap.
- Twist straps do not have to be wrapped over the truss to achieve the load.
- May be installed on the inside face of the stud.