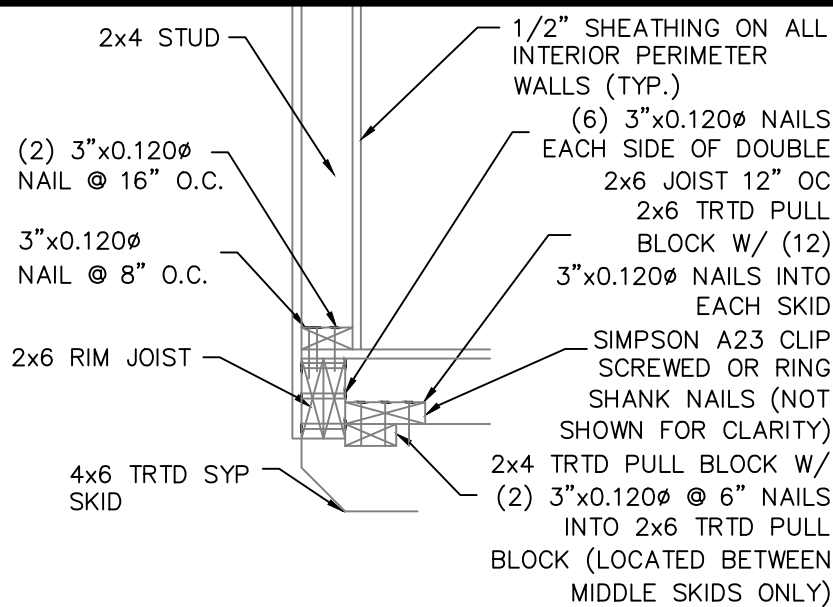
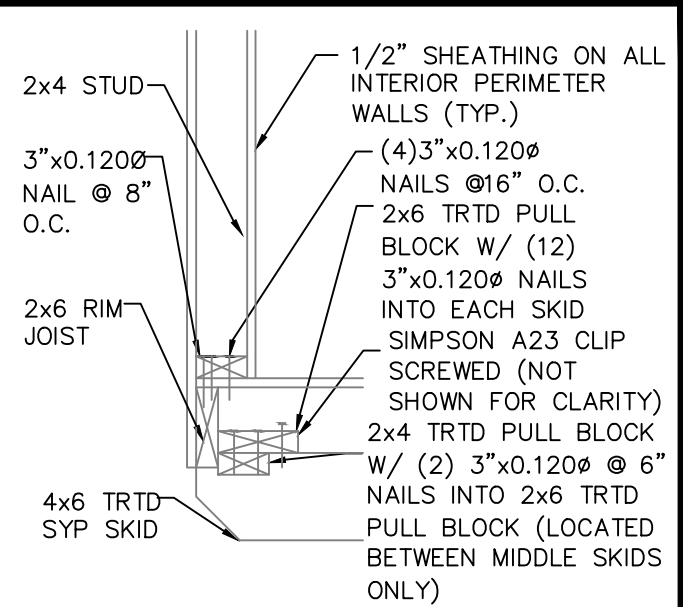


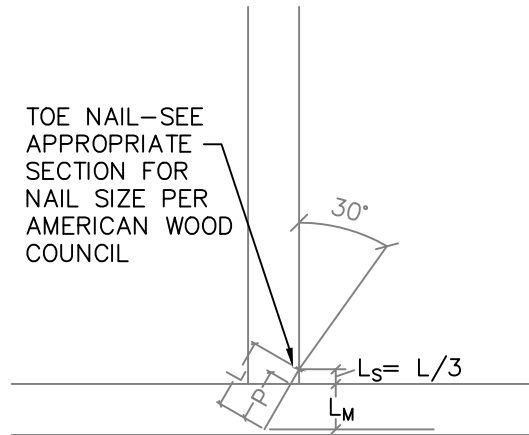
1—INNER & OUTER SKID  
DETAIL @ EVERY JOIST



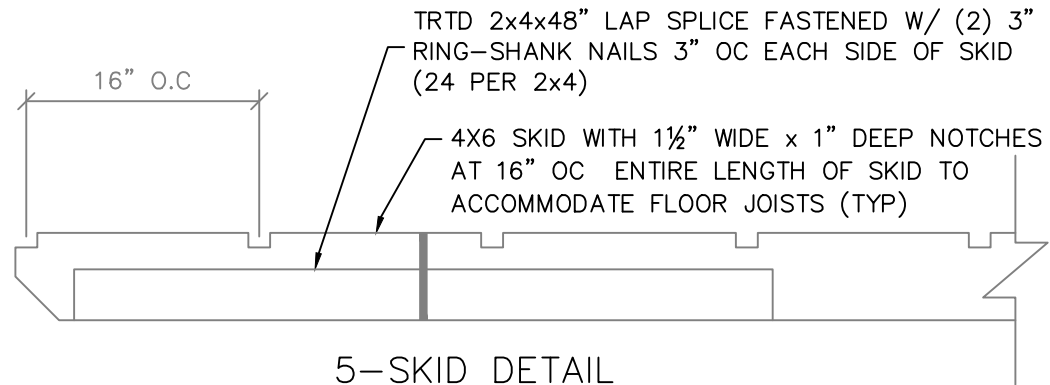
2—ENTRY DOOR ENDWALL JOIST DETAIL



3—REAR ENDWALL JOIST DETAIL



4—TOE—NAIL DETAIL



5—SKID DETAIL



**DANCO BUILDINGS, LLC.**

PHONE: 601-551-0469 EMAIL: CHRISDANIELST6@GMAIL.COM

DRAWN BY: CKD

SCALE: NTS

DATE: 02-18-2026

SHEET TITLE: BUILD DETAILS 2

DRAWING NUMBER: S-110



**DAMMON**  
ENGINEERING, INC.

554 Old Spanish Trail Slidell, LA 70458 (485) 619-5832

Chief Engineer: Brian Mistich, PE  
554 Old Spanish Trail  
Slidell, LA 70458

www.dammonengineering.com  
info@dammonengineering.com  
PHONE: 985-649-5832