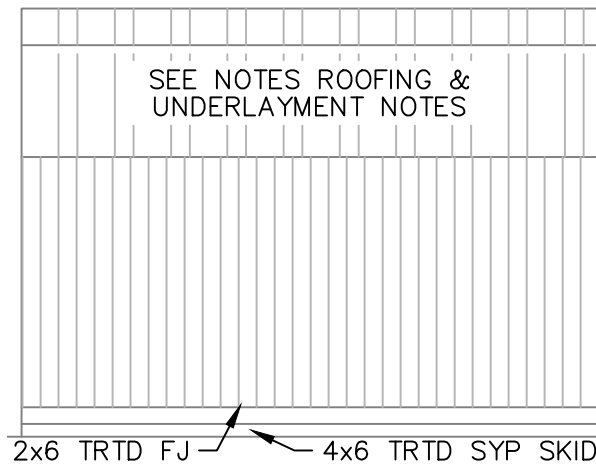
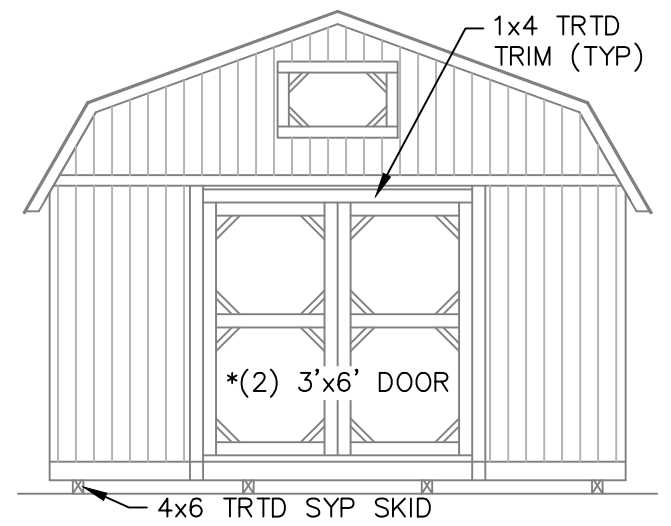


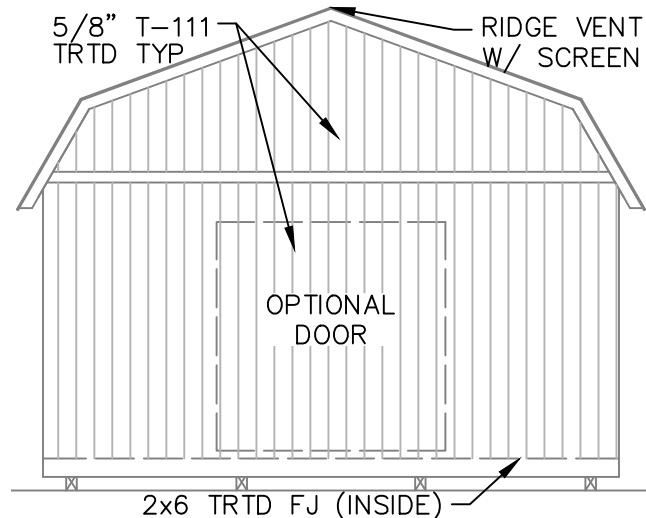
REAR ELEVATION WITHOUT PORCH



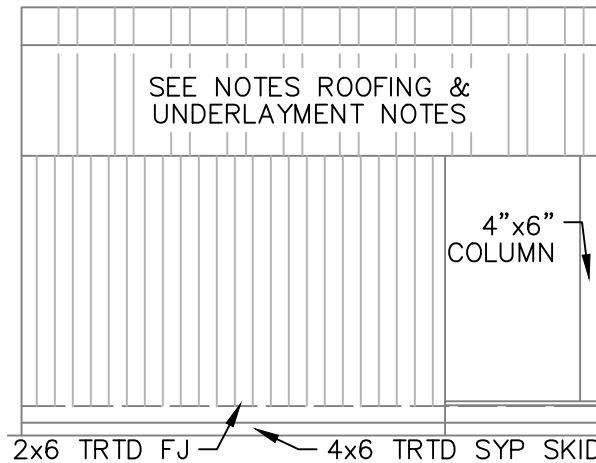
SIDE ELEVATION WITHOUT PORCH



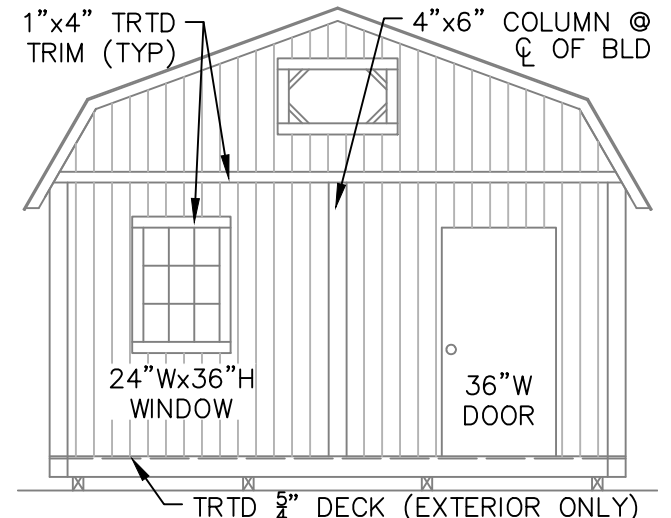
FRONT ELEVATION WITHOUT PORCH



REAR ELEVATION WITH PORCH



SIDE ELEVATION WITH PORCH



FRONT ELEVATION WITH PORCH

**APEX BUILDERS AND ASSOCIATES**  
BUILDERS & ASSOCIATES  
 504-858-6544

DRAWN BY: TNT    SCALE: 1/4" = 1'-0"    DATE: 02-02-2022

SHEET TITLE: ELEVATION PLAN

DRAWING NUMBER: **S-107**

UTILITY-LA-V=150MPH-IBC2015



**DAMMON**  
 ENGINEERING, INC.

554 Old Spanish Trail Slidell, LA 70458 (985) 649-5832

Chief Engineer: Brian Mistich, PE  
 554 Old Spanish Trail  
 Slidell, LA 70458

www.dammonengineering.com  
 info@dammonengineering.com  
 PHONE: 985-649-5832