

# DAMMON

## ENGINEERING, INC.

554 Old Spanish Trail  
Slidell, LA 70458  
985.649.5832

www.dammonengineering.com  
info@dammonengineering.com

*Architects & Engineers*

### SHOP DRAWING and SAMPLE TRANSMITTAL

DATE: 6/17/2025

TO: Cheri Rush  
M Natal Contractor, Inc.  
P.O. Box 518  
Slidell, La

FROM: Chuck Dammon

SUBMITTAL No.: 102800.001.0

REFERENCE: **STP Fire District 1 Training Center**

DE Project: 2507

**WE TRANSMIT:**

enclosed  under separate cover  \_\_\_\_\_

**FOR YOUR:**

use  record  approval  
 review and comment  information  drafting

**THE FOLLOWING:**

drawing(s)  contracts  specifications  
 shop drawings  samples  change order(s)  
 product information  warranty  substitution request

# COPIES	DESCRIPTION	ACTION
Electronic	Toilet and Bath Acc	A

**ACTION CODES:**

- A. Reviewed/No Exceptions
- B. Reviewed/Exceptions Noted
- C. Revise and Resubmit
- G. Rejected
- D. No Action Required
- E. For Signature and Return to this Office
- F. See Remarks Below

**REMARKS:**

Toilet and Bath Acc

COPIES TO: File



**Project:** STFD No.1 New Training Facility  
 34780 S. Range Road  
 Slidell, Louisiana 70460

**SUBMITTAL COVER SHEET**

**Arch. Project No:** \_\_\_\_\_

**MNC Project No:** 830

**To:** Dammon Engineering, Inc.  
554 Old Spanish Trail  
Slidell, Louisiana 70458  
info@dammonengineering.com

**From:** Cheri Rusich  
M Natal Contractor, Inc.  
P.O. Box 518  
Slidell, LA 70459

**Attn.** David Dammon  
Chuck Dammon

**Sent Via** E-Mail

**General Contractor's Review:**

*M Natal Contractor, Inc.*

**CONTRACTOR'S REVIEW:**

**SUBMITTAL NO:** 102800.001.0  
**SPEC. SEC. NO:** 102800  
**VENDOR/SUB:** Werco  
**DESCRIPTION:** Toilet and Bath Accessories

**NO EXCEPTIONS TAKEN**   
**FURNISH AS CORRECTED**   
**REJECTED; RESUBMIT**   
**PARTIAL APPROVAL; SUBMIT ADD'L ITEM(S)**

Reviewing is for conformance with the design concept of the project and compliance with the information given in the Contract Documents. The Vendor/Subcontractor is responsible for dimensions to be confirmed and correlated at the site for information that pertains solely to the fabrication process or to the means, method, technician, sequences, and procedures of construction; and for coordination of the work with all trades.

BY *Cheri Rusich* DATE: 06/02/2025

**Architect/Engineer Review:**

DAMMON ENGINEERING, INC  
 Date: 7-17-25 Project: New Training Facility?  
 Reviewed: X  
 Reviewed as noted: \_\_\_\_\_  
 Revise and ReSubmit: \_\_\_\_\_  
 Rejected: \_\_\_\_\_  
 Other: \_\_\_\_\_

Correction or comments made on the shop drawings during this review do not relieve the contractor from compliance with requirements of the drawings and specifications. This check is only for review of the general conformance with the design concept of the project and general compliance with the information given in the contract documents. This contractor is responsible for: confirming and correlating all quantities and dimensions, selecting fabrication processes and techniques of construction; coordinating his or her work with that of all other trades and performing all in a safe and satisfactory manner.

Submittal item: Toilet & Bath  
 Comments: \_\_\_\_\_



(2) two

# 5084, 5085 Toilet Tissue Dispenser

Model 5084 — Satin Stainless Steel **BradEX**®

Model 5085 — Bright Polish **BradEX**®

Non-Controlled Delivery

Single Roll (For Dual Roll see Models 5234 and 5235)

## Product Materials

**POSTS:** 22-gauge stainless steel with exposed surfaces in architectural satin finish (Model 5084) or bright polish finish (Model 5085).

**ESCUTCHEONS:** Heavy stainless steel with exposed surfaces in architectural satin finish (Model 5084) or bright polish finish (Model 5085).

**SPINDLE:** Chrome-plated plastic spindle on standard models. White plastic spindle on US models.

**MOUNTING BRACKET:** 18-gauge stainless steel.

## Capacity

One standard core toilet tissue roll through 5½" in diameter.

## Operation

Concealed spring permits spindle to telescope for servicing. Spindle turns freely for non-controlled delivery.

## Installation

Verify all rough-in dimensions prior to installation. Secure concealed wall mounting brackets to wall with screws (included) at holes provided. Mount projecting arms and escutcheons to bracket and secure with concealed locking screw. Snap escutcheons into place.

## Guide Specification

Model 5084: Surface-mounted single roll toilet tissue dispenser shall be heavy gauge stainless steel with satin finish and hold one standard core toilet tissue roll.

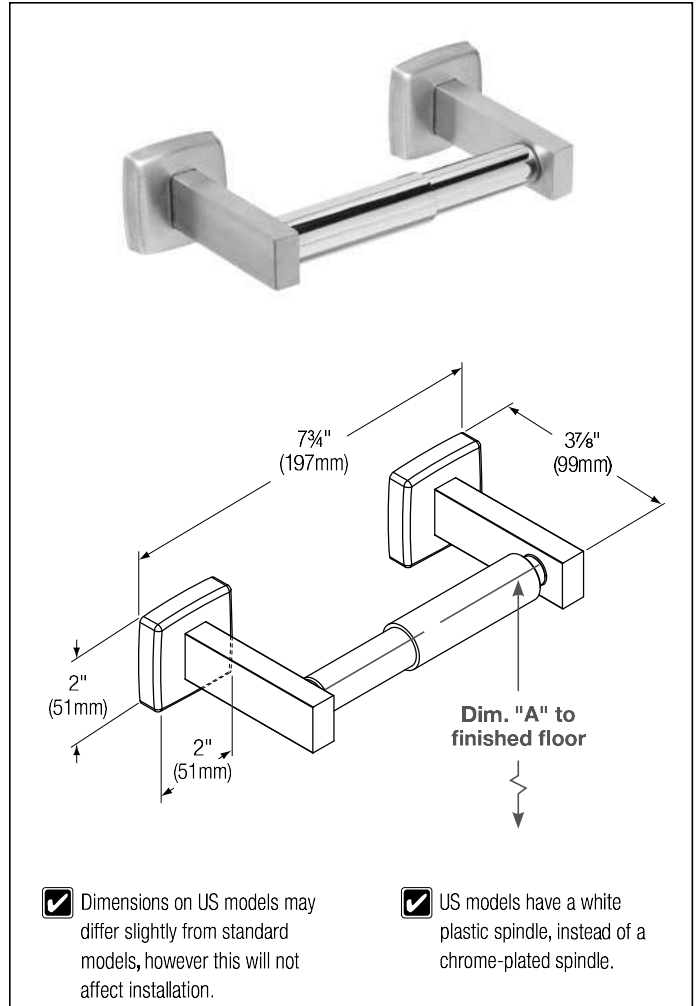
Model 5085: Surface-mounted single roll toilet tissue dispenser shall be heavy gauge stainless steel with bright polish finish and hold one standard core toilet tissue roll.

**Overall dimensions: 7-3/4"W x 2"H x 3-5/8"D.**

## ADA Compliant

Consult local and national accessibility codes for proper installation guidelines.

Conformity and compliance to local and national codes is the responsibility of the installer.



Dim. "A" Key Surface:	For Dim. "A"	Top of Unit	Bottom of Unit
Centerline of spindle to finished floor (bottom edge of paper roll 3" below centerline of spindle)	23" (584mm)	24" (610mm)	22" (559mm)
	22" (559mm)	23" (584mm)	21" (533mm)
	21" (533mm)	22" (559mm)	20" (508mm)
	20" (508mm)	21" (533mm)	19" (483mm)
	19" (483mm)	20" (508mm)	18" (457mm)
	18" (457mm)	19" (483mm)	17" (432mm)
<b>Rough wall opening:</b>			
Surface Mount:	No rough opening, see overall dimensions		

Orders composed of products indicated as **BradEX**® will be available to ship in three days after receipt of order at the factory. There is no pricing penalty for this service from Bradley.

Page 1 of 1

1/31/2024

[View Latest Version](#)

This information is subject to change without notice.

Bradley\_TPDispenser\_5084\_5085

© 2024 Bradley  
P.O. Box 309, Menomonee Falls, WI 53052-0309  
800 BRADLEY (800 272 3539) +1 262 251 6000  
bradleycorp.com

Distributor/Wholesaler:	Werco Building Specialties	Date:	4/9/2025
Project/Location:	St. Tammany Fire Protection District No. 1-Slidell, LA	Model:	5084-000000
Submittal Number:	S-2025956	Qty:	2



- Standard Model 781-1824 (18" x 24") **BradEX**
- Standard Model 781-1830 (18" x 30") **BradEX**
- Standard Model 781-1836 (18" x 36") **BradEX**
- Standard Model 781-18362 (18" x 36", tempered glass) **BradEX**
- Standard Model 781-2430 (24" x 30") **BradEX**
- Standard Model 781-2436 (24" x 36") **BradEX**
- Standard Model 781-24362 (24" x 36", tempered glass) **BradEX**
- Standard Model 781-2448 (24" x 48") **BradEX**
- Standard Model 781-2460 (24" x 60") **BradEX**
- Standard Model 781-XXX (Specify width and height)

**Product Materials**

**FRAME:** One-piece, roll-formed stainless steel with bright annealed finish. Channel is 3/4" x 3/4" x 7/16" with 90° mitered corners. Double strength continuous integral stiffener on all sides for added strength.

**BACK:** Galvanized steel.

**MIRROR:** First quality 1/4" float glass, thermosetting infrared cured paint backing with Poly-Glaze protective finish. Manufactured in accordance with ASTM C 1036 and ASTM C 1503. All edges protected by shock-absorbing, neoprene tubing. The back of the mirror is protected by a sheet of 1/4" extruded polystyrene, which is placed between the mirror and the galvanized steel.

**MOUNTING BRACKETS:** 18 gauge cold rolled steel.

**Installation**

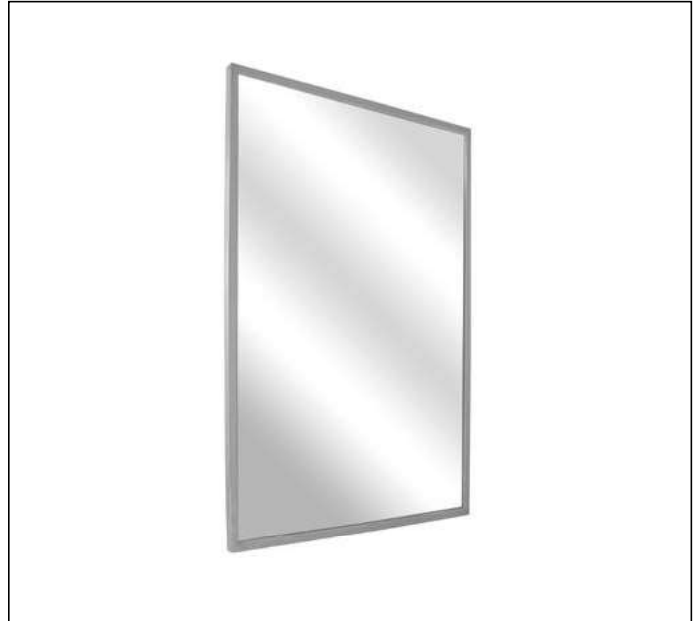
Verify all rough-in dimensions prior to installation. Secure concealed mounting bracket to wall with screws (not included) at holes provided. Mounting kits available through Bradley (ref. #899-026). For more information, visit [bradleycorp.com](http://bradleycorp.com). Provide in-wall backing at mounting screw locations. Position mirror over mounting bracket to engage hanger tabs Slide mirror down and lock into position.

**Guide Specification**

Mirror shall be framed with one-piece, roll-formed stainless steel with 3/4" face and neatly mitered corners. Double -strength continuous integral stiffener on all sides. Back of unit shall be galvanized steel. Separate brackets for concealed mounting. Mirror shall be of first quality 1/4" polished float glass, guaranteed for 15 years against silver spoilage and protected by shock-absorbing, neoprene tubing with Poly-Glaze protective finish.

**Framed Mirror shall be Bradley Model 781- \_\_\_\_\_ " W x \_\_\_\_\_ " H (specify width and height).**

Orders composed of products indicated as **BradEX** will be available to ship in three days after receipt of order at the factory. There is no pricing penalty for this service from Bradley.



**ADA Compliant**

- Consult local and national accessibility codes for proper installation guidelines.
- Conformity and compliance to local and national codes is the responsibility of the installer.

**Optional Features**

Features	Suffix
<input type="radio"/> 1/4" tempered glass mirror in lieu of polished float glass mirror*	-2
<input type="radio"/> Highly polished No. 8 architectural finish, 20 gauge stainless steel in lieu of polished float glass mirror	-4

\*Either the Length (L) or the Width (W) must be greater than 25".

- An inherent characteristic of a manufacturing process for tempered glass is distortion which may vary from mirror to mirror.
- Stainless steel mirrors will differ in optic quality from glass mirrors.
- In larger sizes, stainless mirrors are subject to distortion and/or "oil canning" for which Bradley Corporation cannot accept responsibility.
- Bradley mirrors are not field interchangeable from horizontal to vertical or vice versa. Always specify width first.

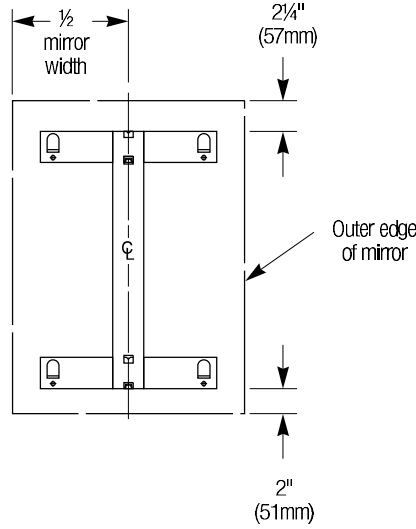
Distributor/Wholesaler:	Werco Building Specialties	Date:	4/9/2025
Project/Location:	St. Tammany Fire Protection District No.1-Slidell, LA	Model:	781-024360
Submittal Number:	S-2025956	Qty:	2



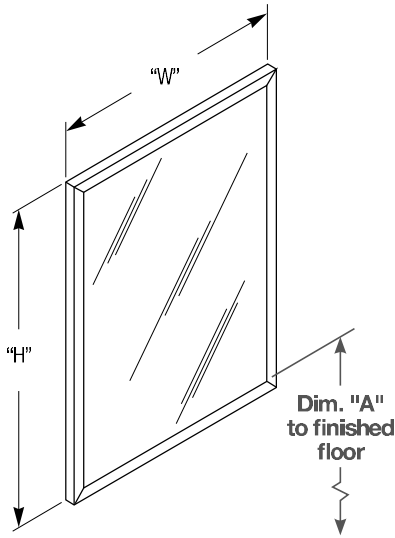
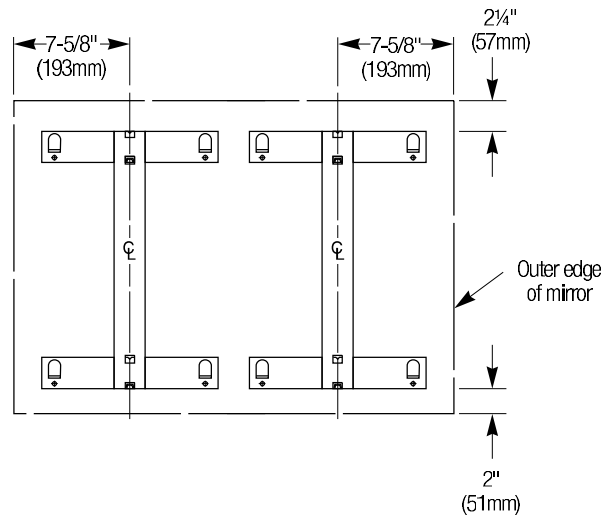
A WATTS Brand

Dimensions

MIRRORS 30" WIDE AND UNDER



MIRRORS OVER 30" WIDE



BradEX® Models

Width (Inches) W	Height (Inches) H	Overall Dimension (Inches)	Overall Dimensions (Millimeters)	Standard Model Number
18"	24"	18 x 24	457 x 610	781-1824
18"	30"	18 x 30	457 x 762	781-1830
18"	36"	18 x 36	457 x 914	781-1836
18"	36"	18 x 36	457 x 914	781-18362
24"	30"	24 x 30	610 x 762	781-2430
24"	36"	24 x 36	610 x 914	781-2436
24"	36"	24 x 36	610 x 914	781-24362
24"	60"	24 x 60	610 x 1524	781-2460
24"	48"	24 x 48	610 x 1219	781-2448
36"	36"	36 x 36	914 x 914	781-3636

Model 781 series channel-framed mirrors can be fabricated to fit a maximum size of 120"W x 72"H.

Dim. "A" Key Surface:	For Dim. "A"	Bottom of Unit
Mirror's bottom edge of the reflecting surface to finished floor	40" (1016mm)	39 1/4" (997mm)
	37" (940mm)	36 1/4" (921mm)
	34" (864mm)	33 1/4" (845mm)
<b>Rough wall opening:</b>		
Surface Mount:	No rough wall opening, see overall dimensions	

Orders composed of products indicated as **BradEX®** will be available to ship in three days after receipt of order at the factory. There is no pricing penalty for this service from Bradley.

Distributor/Wholesaler:	Werco Building Specialties	Date:	4/9/2025
Project/Location:	St. Tammany Fire Protection District No.1-Slidell, LA	Model:	781-024360
Submittal Number:	S-2025956	Qty:	2