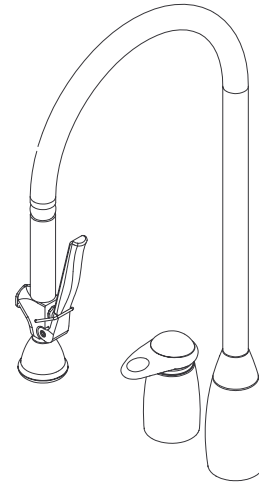


FEATURES

- Brass construction
- High arch, 27 inch brass spout
- Rotates left or right 70 degrees
- Hose extends 30 inches
- Ceramic valve for precise water control
- Spray valve has user controllable flow
- Spray head rotates to select spray or aerated stream
- Integral vacuum breaker



CODES/STANDARDS APPLICABLE

Specified model meets or exceeds the following:

- ASME/ANSI A112.18.1M
- CSA B125
- Energy Policy Act of 1992
- IAPMO/UPC
- NSF 61

COLORS/FINISHES

- CP Polished Chrome

SPECIFIED MODEL:

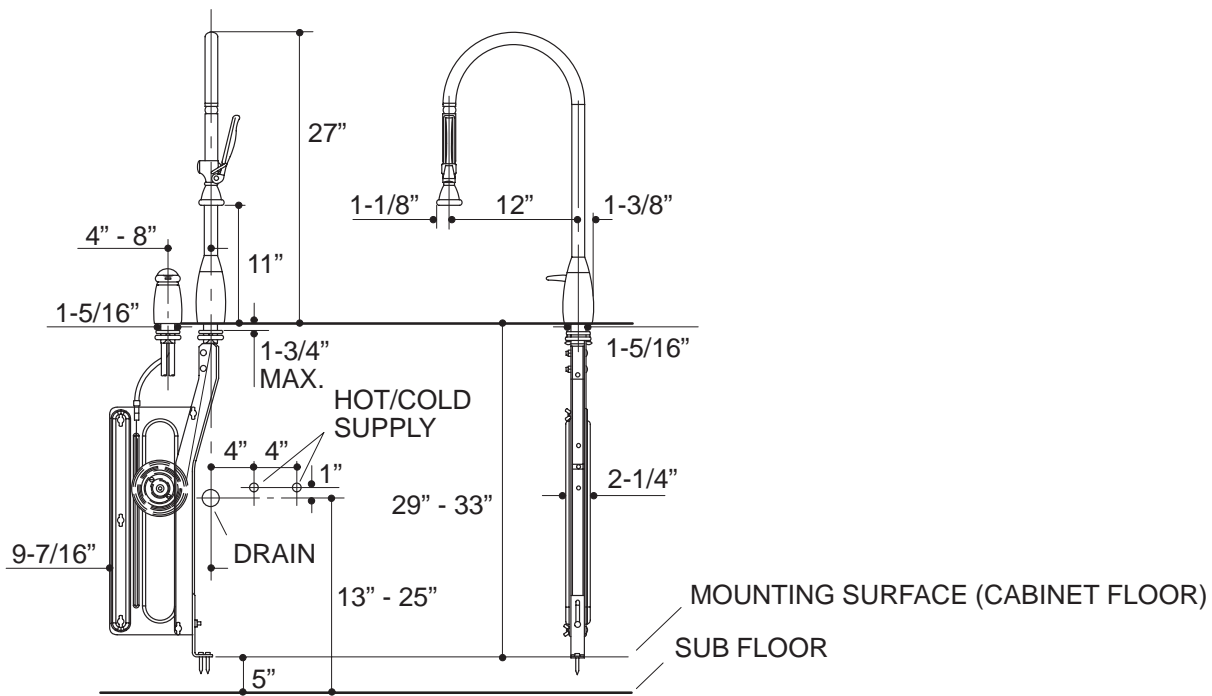
Model	Description
K-6330	ProMaster™ Kitchen Faucet <input type="checkbox"/> CP

PRODUCT SPECIFICATION:

Single handle kitchen faucet shall have 27 inch high arch spout. Faucet pullout spray valve shall extend to 30 inches and have user controllable flow. Faucet sprayhead shall rotate to select spray or aerated stream. Faucet shall have integral vacuum breaker. Faucet shall have ceramic valve. Faucet shall be Kohler Model K-6330-CP.

Roughing-In Notes

Valve and Mounting system can be positioned to the left of the spout (as shown) or to the right.



716

PRODUCT DIAGRAM