

Ordering Information

Accessories/hardware:		
ProAvatar [™] faucet	K-6340-BP	recommended

Required Electrical Service

Ground-Fault Circuit-Interrupter (GFCI) protection is recommended. Follow all local electrical codes.	
Junction box	120/240 V., 15 A., 60 Hz, 3-wire with ground.

Product Information

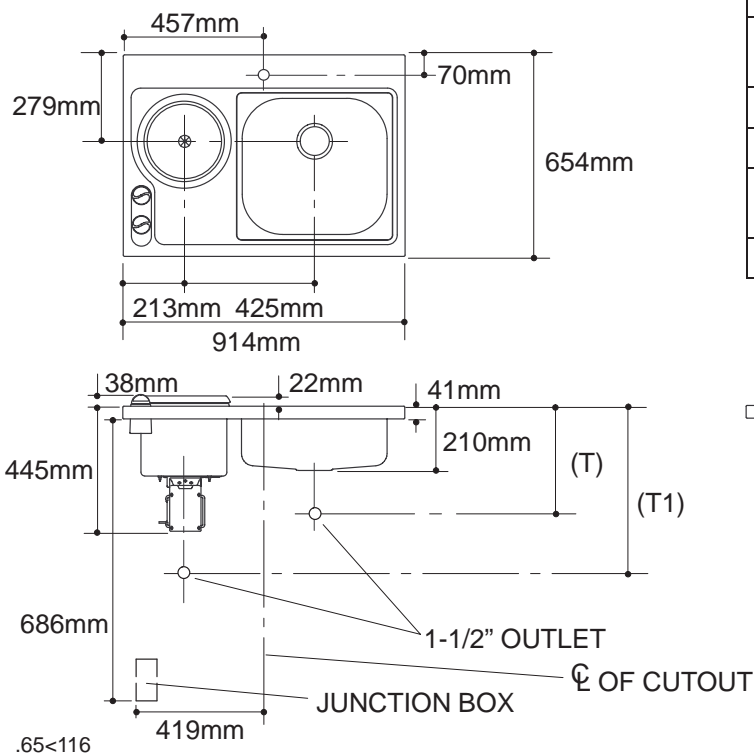
Fixture*:	Outlet	basin area	water depth
Cooking vessel	Ø25mm	Ø241mm	6 litres
Sink, large	Ø98mm	483 x 457mm	197mm
Faucet and spout holes	Ø35mm		
* Approximate measurements for comparison only.			
Cooking vessel rating:	120/240V., 2300 W., 60 Hz, 3-wire with ground.		

Product Information continued

Included components:	
Installation hardware	87357
Home owners guide	86565-5
Cook book	85641
Trim kit	86574
Wire basket	87360
Cutting board	87359
Cookware set	97590

Installation Notes

Refer to installation instructions included with fixture before beginning installation.



Roughing-In Notes

Fixture dimensions are nominal and conform to tolerances in ASME/ANSI Standard A112.19.3M.

(T) Drain 346mm.

(T1) Drain 533mm.

Spout must be 229mm long (min.) and 352mm high (min.) for adequate clearance into basins.

914mm minimum base cabinet required.

