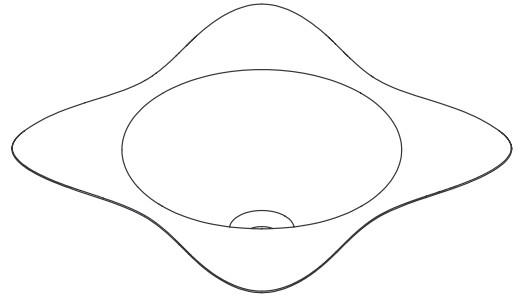


FEATURES

- 17-1/2" x 17-1/2"
- Cast iron
- Dolce Vita™ (K-2815) or Vessels™ Dolce Vita™ (K-2815-P)
- Without overflow
- Above-the-counter or self-rimming
- Optional wall-mount bracket (K-9655)
- ADA compliant, self-rimming only



CODES/STANDARDS APPLICABLE

Specified model meets or exceeds the following:

- ASME/ANSI A112.19.1M
- ICC/ANSI A117.1
- IAPMO/UPC
- Canadian Standards Association (CSA)
- State of Massachusetts

COLORS/FINISHES

- 0 White
- Other Refer to Fixtures Price Book for additional colors

Accessories:

- CP Polished Chrome
- NA Not Applicable
- Other Refer to Faucets Price Book for additional finishes

SPECIFIED MODEL:

Model	Description	Colors/Finishes	
K-2815	Dolce Vita™	<input type="checkbox"/> 0 White	<input type="checkbox"/> Other_____
K-2815-P	Vessels™ Dolce Vita™	<input type="checkbox"/> 0 White	<input type="checkbox"/> Other_____

Recommended Accessories			
K-9018	P-trap	<input type="checkbox"/> CP	<input type="checkbox"/> Other_____
K-7702-BA	Pop-up drain with undercounter mount actuator	<input type="checkbox"/> CP	<input type="checkbox"/> Other_____

Optional Accessories			
K-9655	Vessels™ wall-mount bracket for use with K-2815-P	<input type="checkbox"/> NA	

PRODUCT SPECIFICATION:

The lavatory shall be 17-1/2" in length, and 17-1/2" in width. Lavatory shall be made of cast iron. Lavatory shall be either Dolce Vita™ (K-2815) or Vessels™ Dolce Vita™ (K-2815-P). Lavatory shall be without overflow. Lavatory shall be both above-the-counter or self-rimming. Lavatory shall have optional wall-mount bracket (K-9655). Lavatory shall be ADA compliant, self-rimming only. Lavatory shall be Kohler Model K-2815-_____-_____.

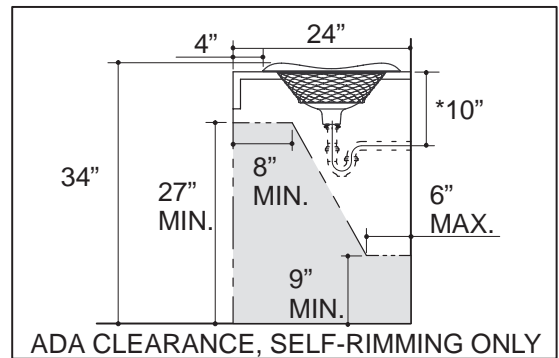
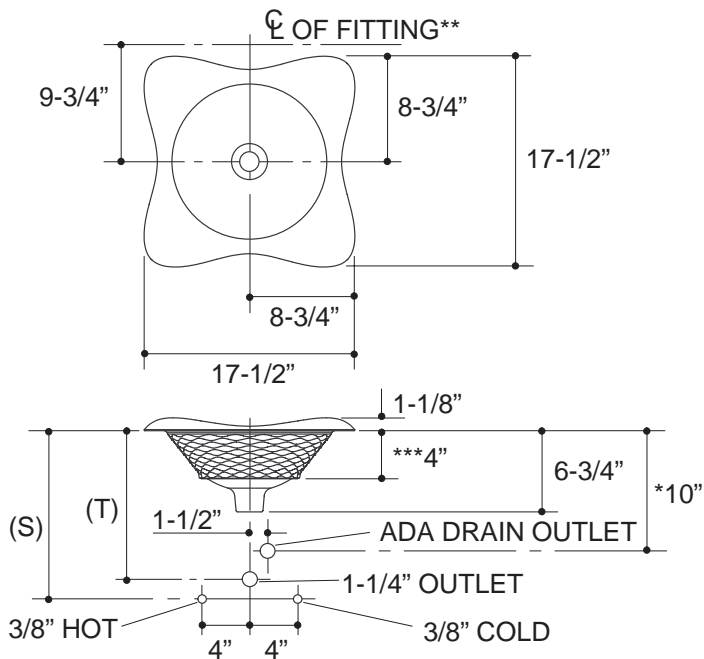
PRODUCT INFORMATION

Fixture*:		basin area	water depth
Lavatory		13" D.	4-3/4"
Outlet	1-3/4" D.		

Included Components:	
Cutout template	87996-7

INSTALLATION NOTES

Product does not have an overflow.



Roughing-In Notes

- (T) Pop-up drain 12-3/8".
- (S) 14" (Based on 12" riser which may require cutting).
- *Based on K-9018 with 1" of tailpiece exposed.
- **Spout must be 5" long (min.) for adequate clearance into lavatory when installed with centerline as shown.
- ***Spout must be tall enough to clear 4" rim height and provide a 1" air gap per ASME A112.1.2.

PRODUCT DIAGRAM