

UNDERCOUNTER ENTERTAINMENT SINK

K-6589-U

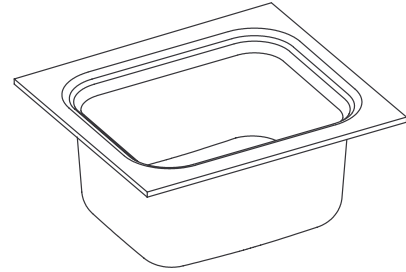
FEATURES

- 15" x 12-3/8"
- Cast iron
- Acid resistant enamel finish
- Undercounter
- Single compartment

CODES/STANDARDS APPLICABLE

Specified model meets or exceeds the following:

- ASME/ANSI A112.19.1M
- IAPMO/UPC
- CSA International B45



COLORS/FINISHES

- 0 White
- Other Refer to Fixtures Price Book for additional colors

Accessories:

- CP Polished Chrome
- Other Refer to Price Book for additional colors

SPECIFIED MODEL:

Model	Description	Colors/Finishes	
K-6589-U	Undercounter sink	<input type="checkbox"/> 0 White	<input type="checkbox"/> Other_____
Optional Accessories			
K-8801	Duostrainer sink strainer	<input type="checkbox"/> CP	<input type="checkbox"/> Other_____

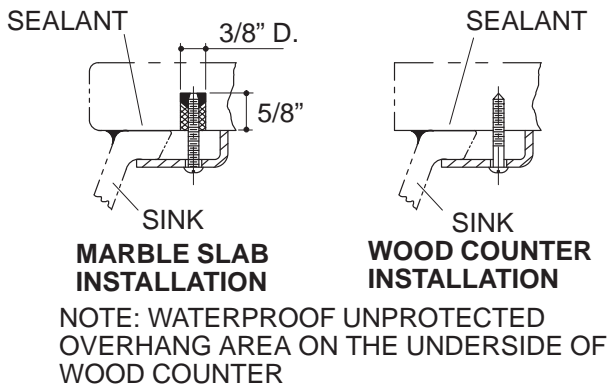
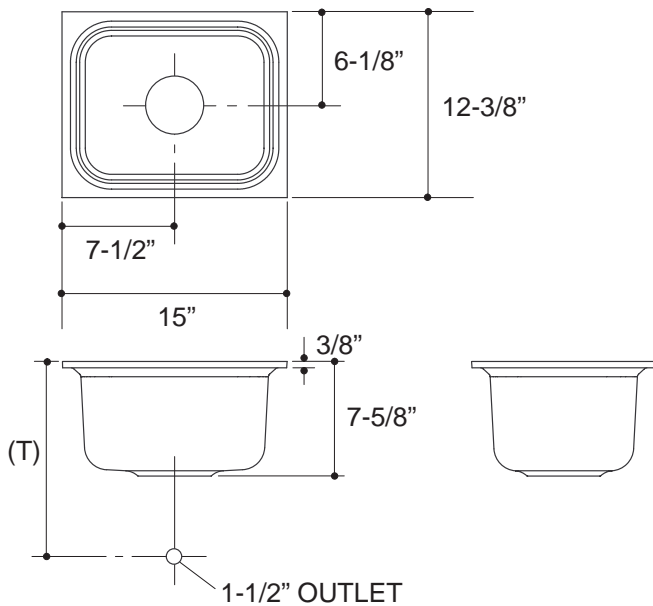
PRODUCT SPECIFICATION:

The undercounter sink shall be 15" in length, and 12-3/8" in width. Sink shall be made of cast iron with acid resistant enamel finish. Sink shall be single compartment. Sink shall be Kohler Model K-6589-U-_____.

NORTHLAND™

PRODUCT INFORMATION

Fixture*:		basin area	water depth
Sink		9-1/4" x 12"	7"
Outlet	3-7/8" D.		
* Approximate measurements for comparison only.			
Included components:			
Basin clamp assembly		52047	



Roughing-In Notes
(T) Drain typically 13".
Supplied basin clamp assemblies require 1" minimum countertop thickness. Installer must supply anchors for thinner countertops.
For multiple bowl undercounter installations, a minimum distance of 3-3/8" is required between bowls. Countertop supplier to determine required support.

1.25>116

PRODUCT DIAGRAM