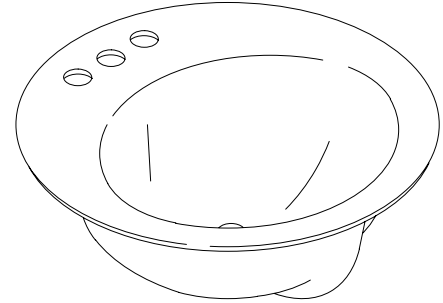


FEATURES

- 19" diameter
- Cast iron
- Metal frame mounting
- 8" centers (K-2917-8), 4" centers (K-2917-4), or single-hole (K-2917-1) drilling
- With overflow
- ADA compliant
- Optional soap dispenser hole on left (-L) or right (-R)



CODES/STANDARDS APPLICABLE

Specified model meets or exceeds the following:

- ADA
- ASME/ANSI A112.19.2M
- CABO/ANSI A117.1
- IAPMO/UPC
- Canadian Standards Association (CSA)
- State of Massachusetts

COLORS/FINISHES

- 0 White
- Other Refer to Fixtures Price Book for additional colors

Accessories:

- CP Polished Chrome
- Other Refer to Faucets Price Book for additional finishes

SPECIFIED MODEL:

Model	Description	Colors/Finishes	
K-2917-8	8" centers lavatory less soap dispenser hole	<input type="checkbox"/> 0 White	<input type="checkbox"/> Other_____
K-2917-4	4" centers lavatory less soap dispenser hole	<input type="checkbox"/> 0 White	<input type="checkbox"/> Other_____
K-2917-4L	4" centers lavatory with soap dispenser hole on left	<input type="checkbox"/> 0 White	<input type="checkbox"/> Other_____
K-2917-4R	4" centers lavatory with soap dispenser-hole on right	<input type="checkbox"/> 0 White	<input type="checkbox"/> Other_____
K-2917-1	Single-hole lavatory less soap dispenser hole	<input type="checkbox"/> 0 White	<input type="checkbox"/> Other_____
K-2917-1L	Single-hole lavatory with soap dispenser hole on left	<input type="checkbox"/> 0 White	<input type="checkbox"/> Other_____
K-2917-1R	Single-hole lavatory with soap dispenser-hole on right	<input type="checkbox"/> 0 White	<input type="checkbox"/> Other_____

Recommended Accessories			
K-8998	Trap	<input type="checkbox"/> CP	<input type="checkbox"/> Other_____

PRODUCT SPECIFICATION:

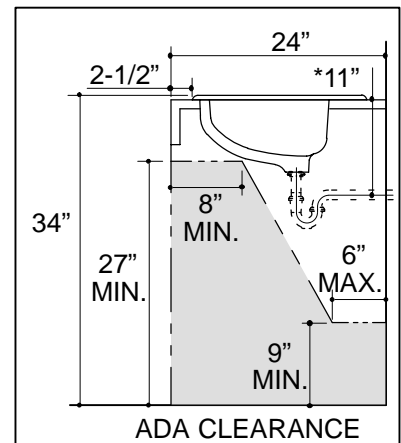
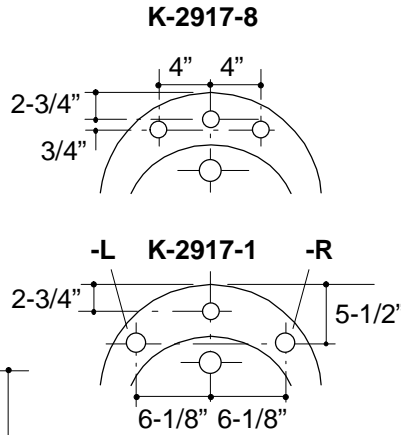
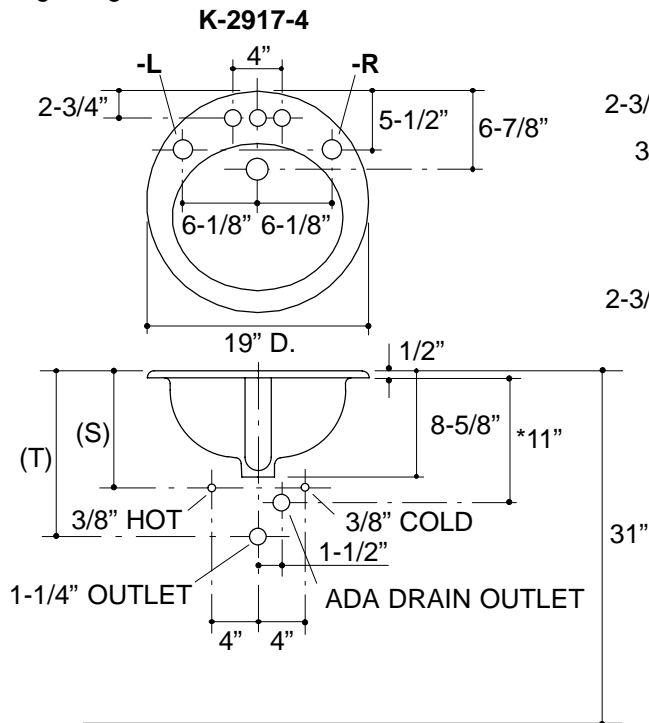
The countertop lavatory shall be 19" in diameter. Lavatory shall be made of cast iron. Lavatory shall have 8" centers (K-2917-8), 4" centers (K-2917-4), or single-hole (K-2917-1) drilling. Lavatory shall have overflow. Lavatory shall be ADA compliant. Lavatory shall have soap dispenser hole on left (-L) or right (-R). Lavatory shall be Kohler Model K-2917-_____-_____.

PRODUCT INFORMATION

ADA compliant.			
Fixture*:		basin area	water depth
Lavatory		14" x 12"	5"
Outlet	1-11/16" D.		
* Approximate measurements for comparison only.			
Holes	K-2917-8	K-2917-4	K-2917-1
Spout	1-1/8" D.	1-1/8" D.	1-3/8" D.
Faucet	1-5/16" D.	1-3/16" D.	
Soap dispenser			1-1/4" D.
Included Components:			
Overflow ferrule			44071
Cutout template			101082

INSTALLATION NOTES

Refer to installation instructions included with fixture before beginning installation.



Roughing-In Notes

*Based on K-8998, with 1" tailpiece exposed.

(T) Pop-up drain 14-3/16", grid drain 13-5/16".

Supply (Based on 12" riser which may require cutting).	K-2917-4 K-2917-1	K-2917-8
--	----------------------	----------

(S)	254mm	356mm
-----	-------	-------

PRODUCT DIAGRAM