

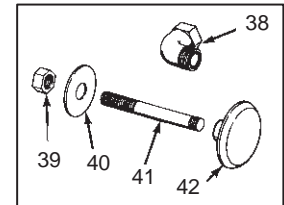
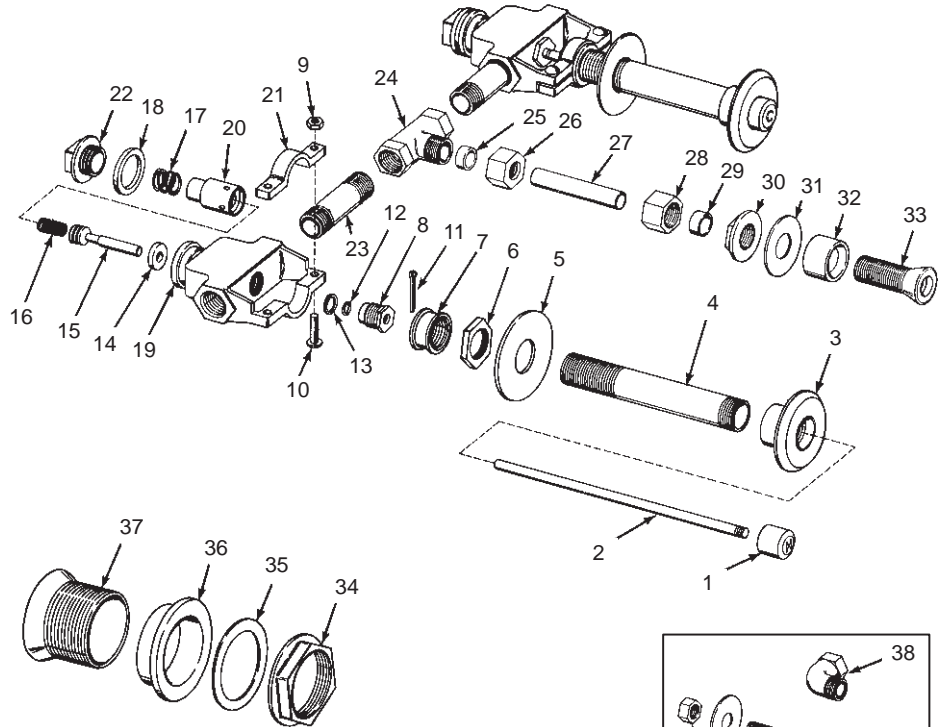
K-7482
K-7483

PRISON LAVATORY FITTING FOR K-2475
PRISON LAVATORY FITTING FOR K-2465

ORDER BY KIT NUMBER OR PART NUMBER, NOT ITEM NUMBER OR KIT LETTER.

Ordering Options

Item	Part No. or Kit
1	B
2	32601*
3	C
4	32602*
5, 6	D
7	E
8, 9, 10	E, F
11	28518
12, 13, 14, 15, 16	A, F
17, 18	A, F
19, 20, 21, 22	F
23	32588
24	32600
25, 26	G
27	32599*
28, 29	G
30, 31, 32, 33	H
34, 35, 36, 37	I
38	35615
39, 40, 41, 42	J



Kit Ordering Information

Kit	Kit Part No.	Kit Name
A	30132	Valve Rebuilding
B	30032 ‡	Push Button
C	30091 ‡	Escutcheon
D	30244	Attachment
E	30246	Nut S.A.
F	31739	Complete End Body
G	30245	Ferrule S.A.
H	31686 **	Spud Assembly
I	18357 **	Spud Assembly
J	32639 ‡	Supporting Bolt

Kit Contents

2 ea., Items 12 thru 18
 1 ea. Hot, 1 ea., Cold; Item 1
 2 ea., Item 3
 2 ea., Items 5 and 6
 1 ea., Items 7 and 8; 11 thru 22; 2 ea., Items 9 and 10
 2 ea., Items 9 and 10
 1 ea., Items 25 or 29; 26 or 28
 1 ea., Items 30 thru 33
 1 ea., Items 34 thru 37
 1 ea., Items 39 thru 42

KITS MAY INCLUDE EXTRA PARTS

NOTES:

- * Specify length.
- ** Not included with fittings.

LEGEND:

- ‡ Specify Finish.