

**Ordering Information**

|   |        |          |
|---|--------|----------|
| Accessories/hardware:   |        |          |
| Faucet trim kit   |        | required |
| Grip rail kit   | K-9596 | required |
| Vinyl tiling-in bead*   | K-1179 | optional |
| *Use K-1179 vinyl bead when wall material contacts any top surface of bath. |        |          |

**Product Information**

|   |              |              |        |
|---|--------------|--------------|--------|
| Fixture*:                                       | basin area   | top area     | weight |
| Bathing well                                    | 1041 x 737mm | 1422 x 914mm | 41 Kg. |
|   | water depth  | capacity     |        |
| To overflow                                     | 381mm        | 322 litres   |        |
| * Approximate measurements for comparison only. |              |              |        |

**Installation Notes**

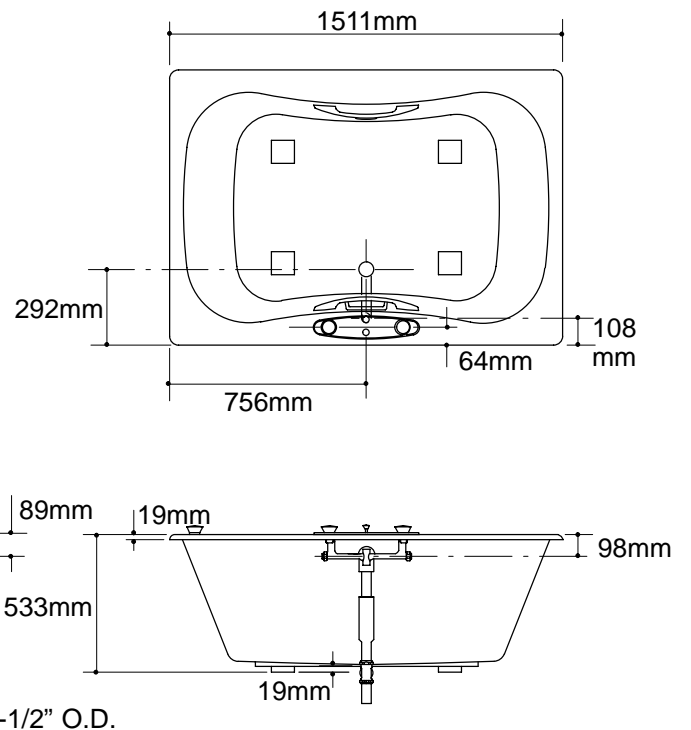
Refer to installation instructions included with fixture before beginning installation.

**Roughing-In Notes**

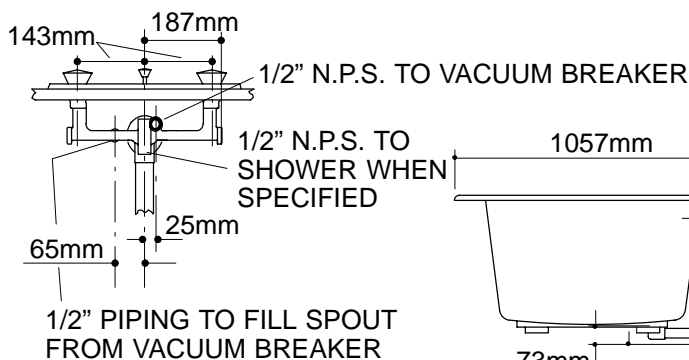
Fixture conforms to ANSI Standard Z124.1. All dimensions are nominal.

No change in measurements if connected with drain illustrated.

Cut-out 1473 x 1016mm



**YOKE DETAIL**



1.15>132