

## Ordering Information

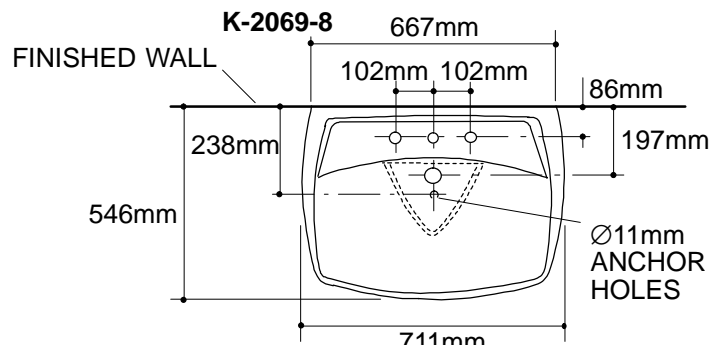
|                        |          |           |
|------------------------|----------|-----------|
| Applicable product:    |          |           |
| 203mm centers lavatory | K-2069-8 | shown     |
| Single-hole lavatory   | K-2069-1 | not shown |

## Product Information

|   |       |             |             |
|---|-------|-------------|-------------|
| Fixture*:                                       |       | basin area  | water depth |
| Lavatory  |       | 635 x 381mm | 121mm       |
| Outlet  | Ø44mm |             |             |
| * Approximate measurements for comparison only. |       |             |             |

|        |          |          |  |
|--------|----------|----------|--|
| Holes  | K-2069-8 | K-2069-1 |  |
| Spout  | Ø30mm    | Ø35mm    |  |
| Faucet | Ø35mm    |          |  |

|                               |          |
|-------------------------------|----------|
| Included Components:          |          |
| Lavatory basin, 203mm centers | K-2130-8 |
| Lavatory basin, single-hole   | K-2130-1 |
| Pedestal                      | K-2132   |
| Hanger                        | 64839    |
| Rubber pads                   | 63069    |



## Roughing-In Notes

Fixture dimensions are nominal and conform to tolerances in ASME Standard A112.19.2M.

(T) Pop-up drain 343mm.

(S) 229mm (Based on 305mm riser which may require cutting).

