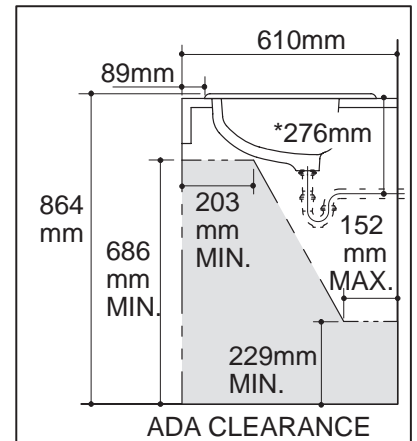
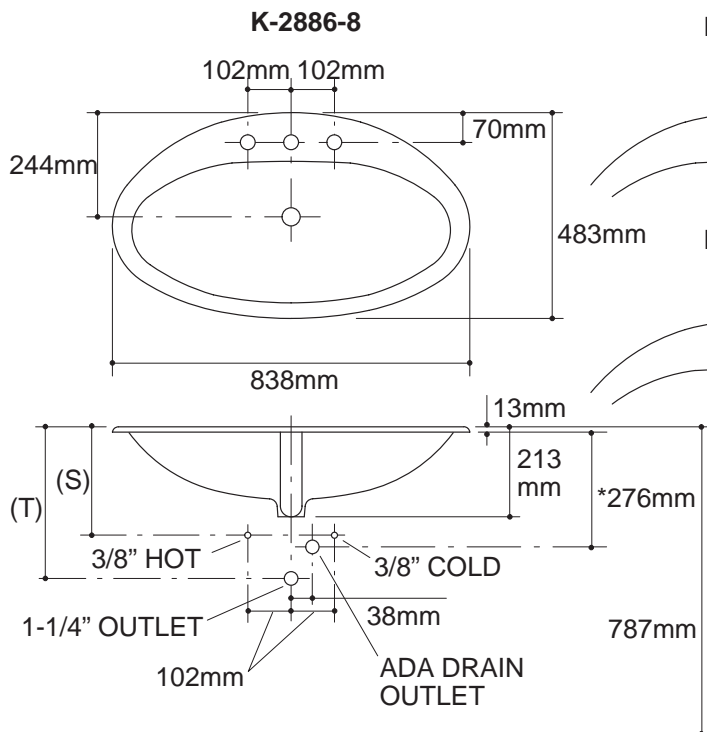


## Ordering Information

Applicable product:		
203mm centers	K-2886-8	shown
Single-hole	K-2886-1	not shown
102mm centers	K-2886-4	not shown
Accessories/hardware:		
Trap	K-8998	recommended

## Product Information

ADA compliant.			
Fixture*:		basin area	water depth
Lavatory		762 x 330mm	124mm
Outlet	Ø43mm		
* Approximate measurements for comparison only.			
Holes	<b>K-2886-8</b>	<b>K-2886-1</b>	<b>K-2886-4</b>
Spout	Ø29mm	Ø35mm	Ø29mm
Faucet	Ø33mm		Ø30mm
Included Components:			
Overflow ferrule			84896
Cutout template			100207-7



### Roughing-In Notes

Fixture dimensions are nominal and conform to tolerances in ASME/ANSI Standard A112.19.1M.

\*Based on K-8998, with 25mm of tailpiece exposed.

(T) Pop-up drain 356mm.

(S) 254mm (Based on 305mm riser which may require cutting).

.9<116

**K-2886** Ellipse™ Lavatory  
106111-1M-CA (A)

**KOHLER®**