

KOHLER® SERVICE PARTS

LAVATORY FITTINGS

K-7439-DB
K-13340
-F

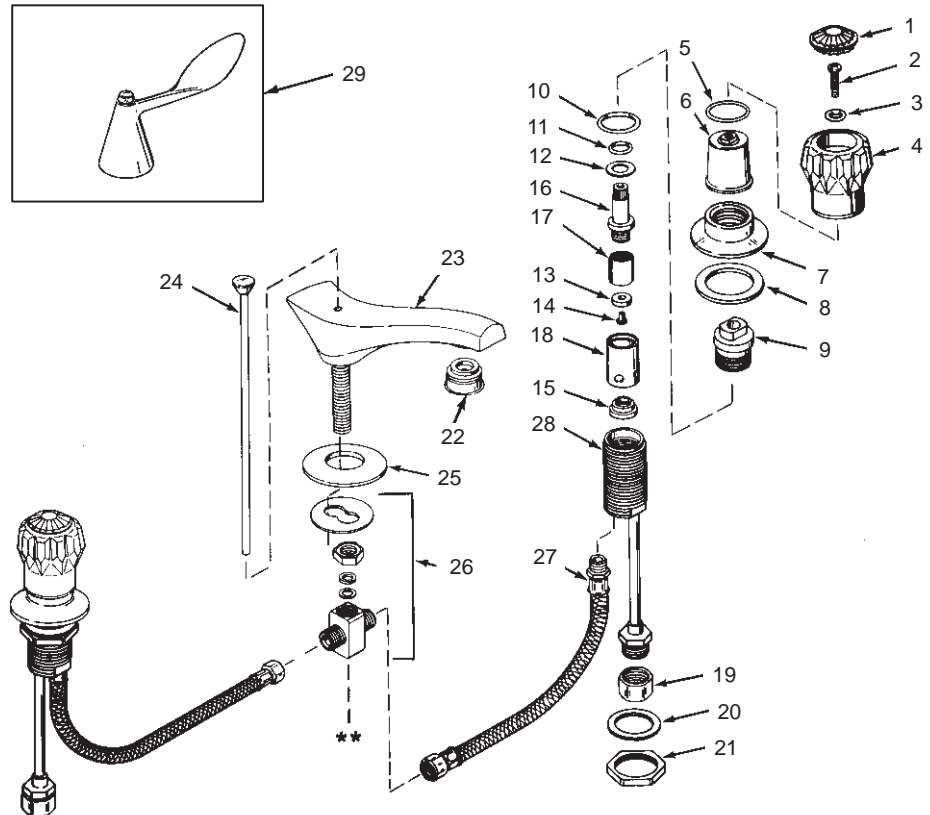
FLAIR II
FINESSE

WIDESPREAD LAVATORY FITTING
WIDESPREAD LAVATORY FITTING
WITH FLEXIBLE CONNECTIONS

ORDER BY KIT NUMBER OR PART NUMBER, NOT ITEM NUMBER OR KIT LETTER.

Ordering Options

Item	Part No. or Kit
1, 2, 3, 4, 5, 6	G
7	B
8	34037
9	20475
10, 11, 12, 13,	A, C, I, J
14, 15	A, C, I, J
16, 17, 18	C or I or J
19, 20, 21	D
22	30072‡
23	*
24	51196‡
25	40175‡
26	E
27	F
28	40004
29	H



Kit Ordering Information

Kit	Kit Part No.	Kit Name	Kit Contents
A	30294	Valve Rebuilding	2 ea., Items 10 thru 15
B	30077 ‡	Escutcheon	2 ea., Item 7
C	30002	Valve Replacement	1 ea., Items 10 thru 18
D	30332	Attachment S.A.	2 ea., Items 19, 20, and 21
E	40036	Tee Assembly	1 ea., Item 26
F	30233	Flexible Hose	2 ea., Item 27
G	106299 §■	Flair, Flair II Handle Options	See INDEX.
H	106730 §■	Wrist Control Handle Options	See INDEX.
I	30134	Valve Replacement (Closes Counterclockwise, Finesse)	1 ea., Items 10 thru 18
J	30135	Valve Replacement (Closes Clockwise, Finesse)	1 ea., Items 10 thru 18

KITS MAY INCLUDE EXTRA PARTS

NOTES:

- * Not available as a service part.
- ** For pop-up drain, see K-7701.

LEGEND:

- ‡ Specify Finish.
- § Reference Number Only.
- Parts further exploded in catalog; see INDEX.