

## Ordering Information

Accessories/hardware:		
Trap	K-8998	recommended

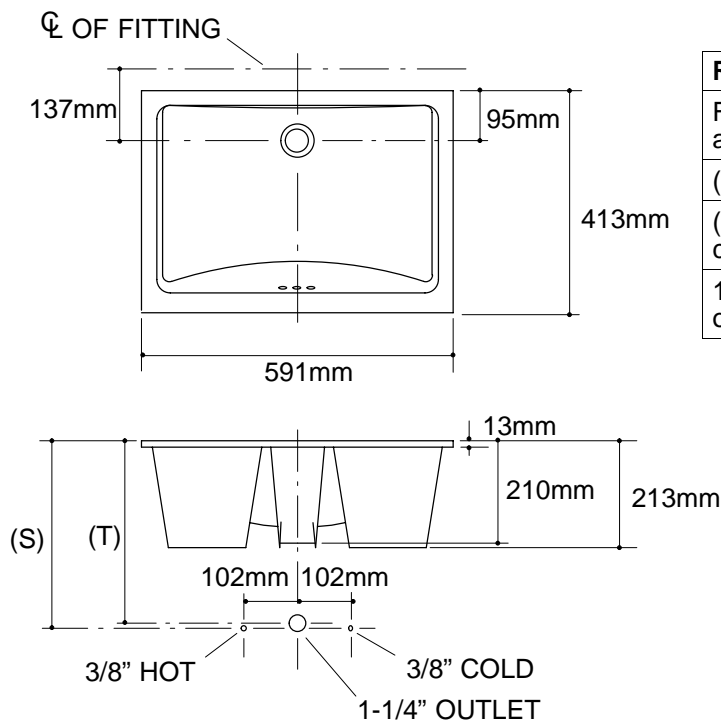
## Product Information

Fixture*:		basin area	water depth
Lavatory		533 x 356mm	124mm
Outlet	Ø44mm		
* Approximate measurements for comparison only.			

Included Components:	
Adhesive sealant	63034
Cutout template	110281

## Installation Notes

Refer to installation instructions included with fixture before beginning installation.



## Roughing-In Notes

Fixture dimensions are nominal and conform to tolerances in ASME Standard A112.19.2M.

(T) Pop-up drain 346mm.

(S) 356mm (Based on 305mm riser which may require cutting).

117mm minimum faucet spout length needed to reach over rim into basin.

1.15>116

**K-2216** Ladena™ Lavatory  
106559-1M-AA (9631)

**KOHLER®**