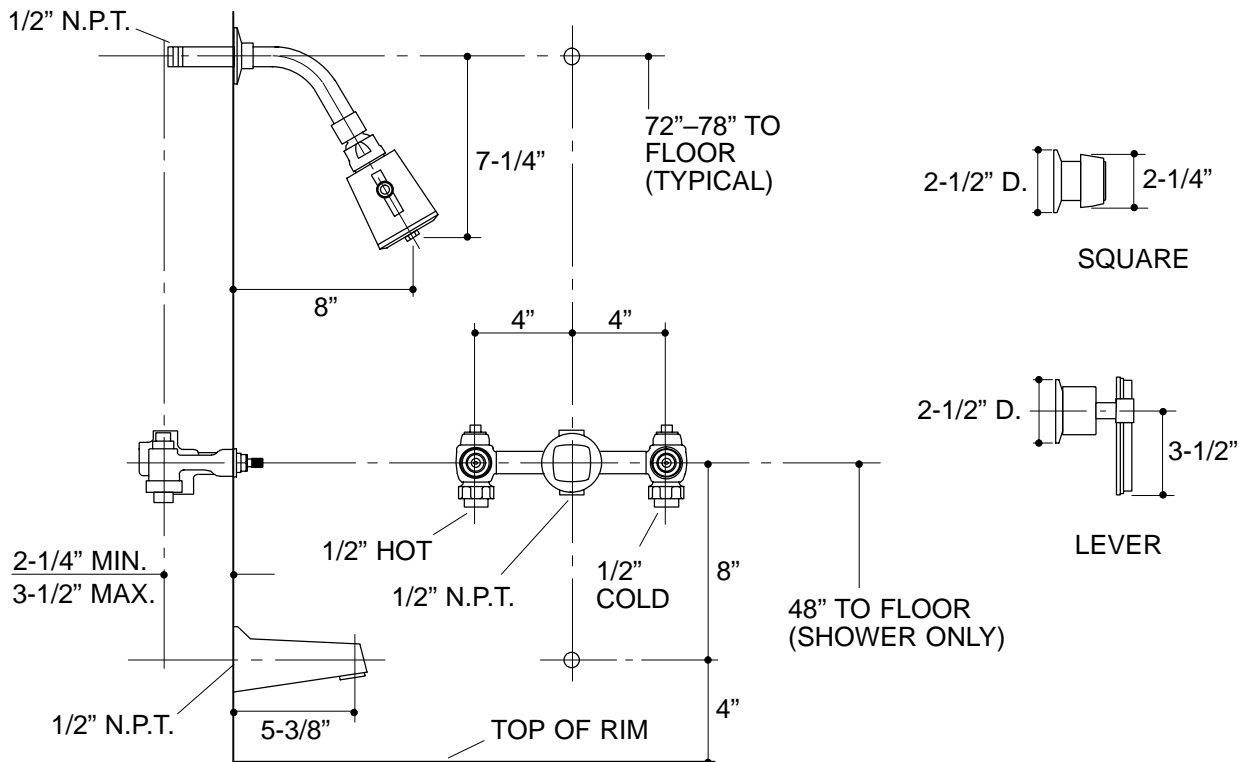


Ordering Information

| | |
|--|----------|
| Applicable bath and shower faucet: | |
| Square handles | K-6932-2 |
| Lever handles | K-6932-4 |
| Applicable valve only: | |
| Square handles | K-6995-2 |
| Lever handles | K-6995-4 |
| ADA Lever handles are ADA compliant | |



18

K-6932, K-6995 Alterna™ Bath and Shower Faucet
106959-1-AA (9619)

KOHLER[®]

NOTES: