

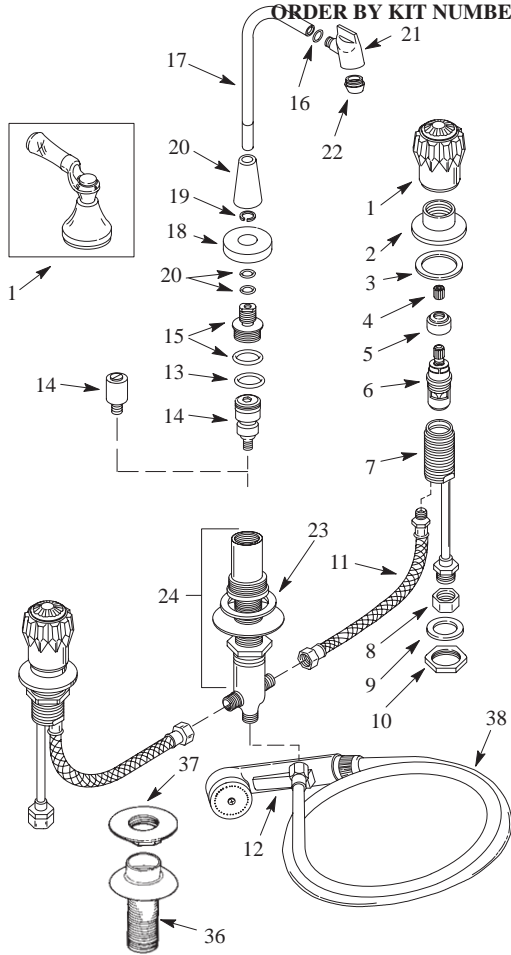
# KOHLER® SERVICE PARTS

## SINK FITTINGS

**K-7779-FCV** FLAIR II MULTI-SWIVEL SINK FAUCET WITH SPRAY  
**K-7779-8A** FLAIR LEVER MULTI-SWIVEL SINK FAUCET WITH SPRAY

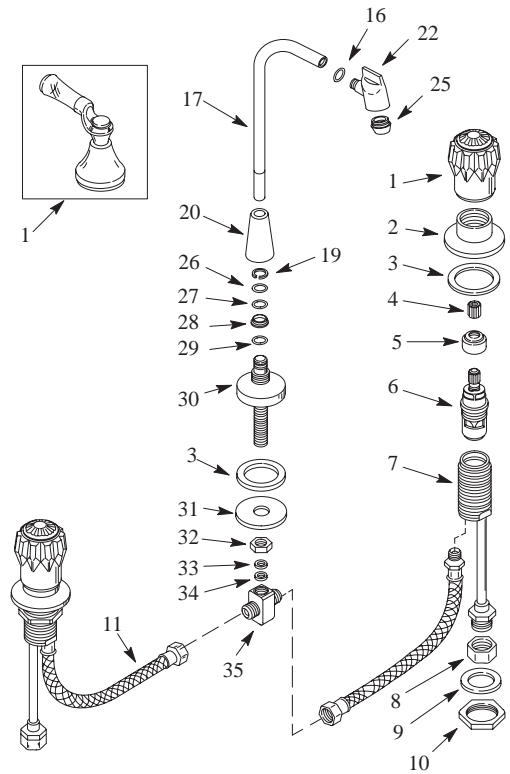
**K-7776-FCV** FLAIR II MULTI-SWIVEL SINK FAUCET  
**K-7776-8A** FLAIR LEVER MULTI-SWIVEL SINK FAUCET

ORDER BY KIT NUMBER OR PART NUMBER, NOT ITEM NUMBER OR KIT LETTER.



### Ordering Options

Item	Part No. or Kit
1	A
2	B
3	41550
4	C
5	500253
6	D or E
7	*
8	N, F
9, 10	F
11	G
12	41325 †, O
13	29682
14	H or I
15	J
16	33993, K
17	K
18	30605
19	40274
20	40275
21	500437 †, L
22	30072 †, L
23	41550
24	M
25	41056
26, 27	42045
28	40271
29	32725
30	500442
31	40203
32	40201
33	40013
34	40097
35	40098
36	41045 †
37	33326
38	38614, O



### Kit Ordering Information

Kit	Kit Part No.	Kit Name	Kit Contents
A	106299§	Flair II Handle Options	See INDEX.
B	30077 †	Escutcheon Kit	1 ea., item 2
C	48502	Spline Adapter Kit	2 ea., item 4
D	30430	Ceramic Valve (Closes Clockwise)	1 ea., item 6
E	30431	Ceramic Valve (Closes Counterclockwise)	1 ea., item 6
F	30332	Mounting Hardware	1 ea., items 8, 9, and 10
G	30233	Flexible Hoses	2 ea., item 11
H	52393	Diverter Kit	1 ea., items 13 and 14
I	30020	Diverter	1 ea., item 13
J	30657	Spout Post	1 ea., item 15
K	30407	Spout Service Kit	1 ea., items 16 and 17
L	30606	Spout Assembly	1 ea., items 19 thru 22
M	500443 †	Base Kit	1 ea., item 24
N	30230	Coupling Nut Kit	2 ea., item 8
O	41310 †	Hoses Spray	1 ea., items 12 and 38

### KITS MAY INCLUDE EXTRA PARTS

NOTES  
 \* Not available as a service part.

LEGEND  
 † Specify finish.  
 § Reference number only.  
 ■ Parts further exploded in catalog; see INDEX.