

Ordering Information

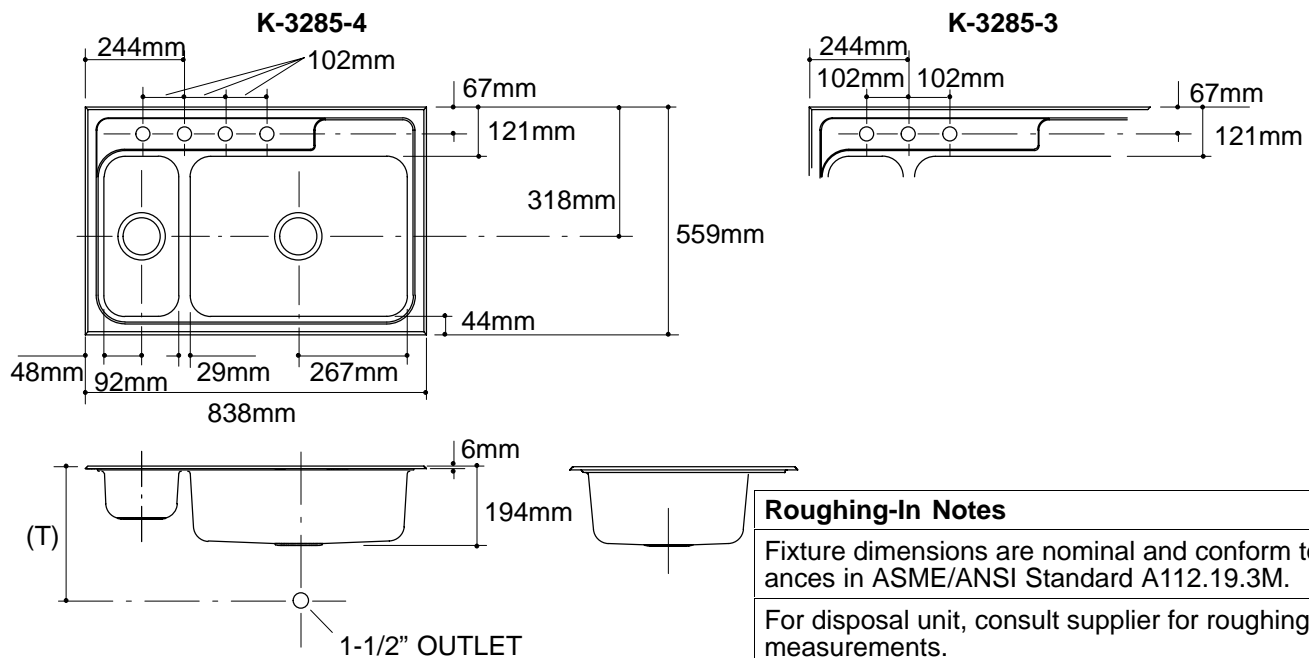
Applicable product:		
Four-hole sink	K-3285-4 K-3285-4H*	shown
Three-hole sink	K-3285-3 K-3285-3H*	not shown
* The variation H denotes additional highlighted finishing on turned down flange and faucet deck.		
Accessories/hardware:		
Hardwood cutting board	K-3293	optional

Product Information

Fixture*:		basin area	water depth
Sink		533 x 406mm	178mm
Disposal		178 x 406mm	114mm
Outlet	Ø92mm		
Faucet holes	Ø37mm		
* Approximate measurements for comparison only.			

Installation Notes

Refer to installation instructions included with fixture before beginning installation.



Roughing-In Notes

Fixture dimensions are nominal and conform to tolerances in ASME/ANSI Standard A112.19.3M.

For disposal unit, consult supplier for roughing-in measurements.

(T) Drain typically 327mm.

Cutout	826 x 546mm with 13mm radius corners.
--------	---------------------------------------