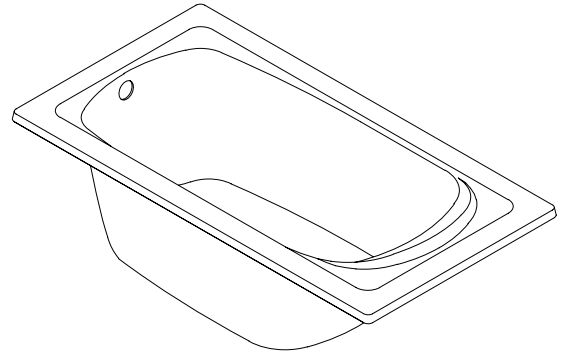


### FEATURES

- 60" x 32" x 21"
- Acrylic
- Drop-in rim style or integral flange
- Optional K-1444 front apron



### CODES/STANDARDS APPLICABLE

Specified model meets or exceeds the following:

- ANSI Z124.1
- IAPMO/UPC
- Canadian Standards Association (CSA)
- State of Massachusetts
- Dade County, Florida

### COLORS/FINISHES

- 0 White
- Other Refer to Fixtures Price Book for additional colors

#### Accessories:

- CP Polished Chrome
- PB Polished Brass
- Other Refer to Faucets Price Book for additional finishes
- NA None Applicable

### SPECIFIED MODEL:

Model	Description	Colors/Finishes	
K-1456	Drop-in rim style	<input type="checkbox"/> 0 White	<input type="checkbox"/> Other_____
K-1456-L	Left outlet, integral flange	<input type="checkbox"/> 0 White	<input type="checkbox"/> Other_____
K-1456-R	Right outlet, integral flange	<input type="checkbox"/> 0 White	<input type="checkbox"/> Other_____

Recommended Accessories				
K-7161-AF	Drain	<input type="checkbox"/> CP	<input type="checkbox"/> PB	<input type="checkbox"/> Other_____

Optional Accessories			
K-1444	Apron (removable)	<input type="checkbox"/> 0 White	<input type="checkbox"/> Other_____
K-1177	Vinyl tiling-in bead (use when wall material contacts any top surface of bath)	<input type="checkbox"/> NA	

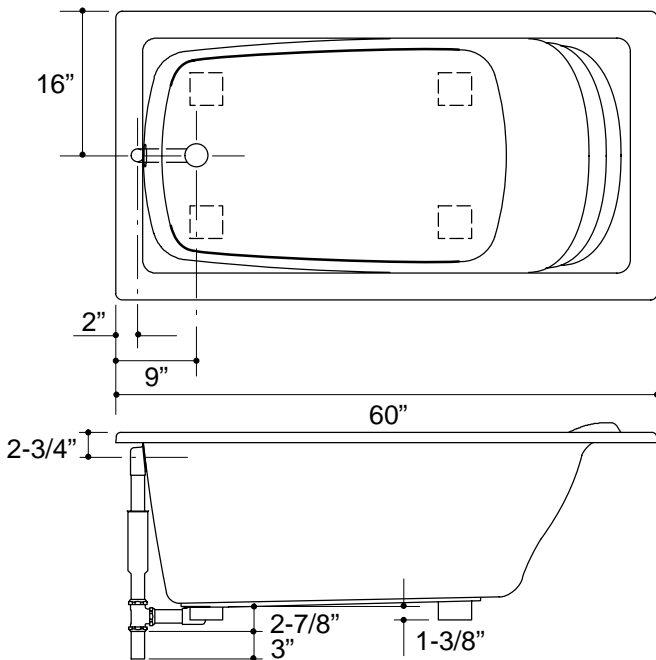
### PRODUCT SPECIFICATION:

The bath shall be 60" in length, 32" in width, and 21" in height. Bath shall be made of acrylic. Bath shall be either drop-in rim style or integral flange. Bath shall have optional K-1444 front apron. Bath shall be Kohler Model K-1456-\_\_\_\_\_.

# PORTRAIT™

## PRODUCT INFORMATION

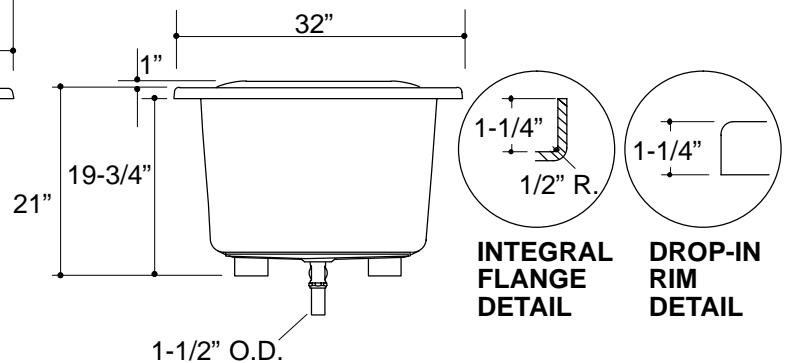
Fixture*:	basin area	top area	weight
Bathing well	40" x 24"	49" x 26"	56 lbs.
	water depth	capacity	
To overflow	15-3/4"	63 gal.	
* Approximate measurements for comparison only.			



### Roughing-In Notes

No change in measurements if connected with drain illustrated.

Cut-out	K-1456 drop-in rim style, 58-1/2" x 30-1/2"
---------	---



364

## PRODUCT DIAGRAM