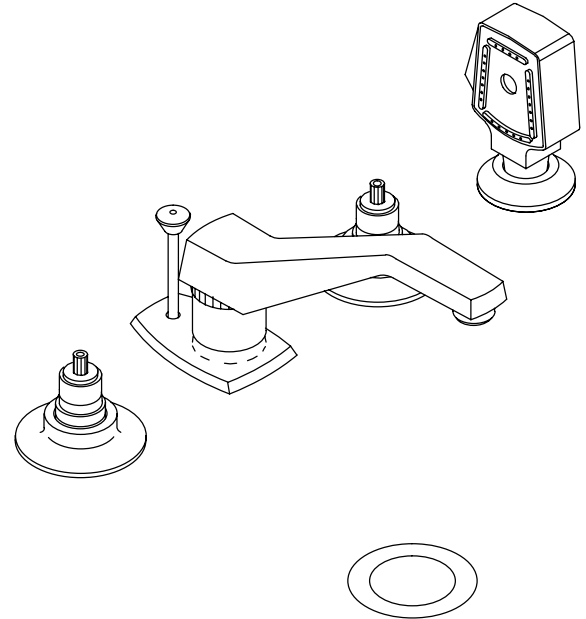


**LAVATORY BASE FAUCET  
K-7449-K**

**FEATURES**

- Brass construction
- 8" centers
- Brass valve bodies
- Quarter-turn washerless ceramic disc valves
- Intended for Lady Vanity™ lavatory installations
- 6-1/2" swing spout
- 2.0 gallons per minute
- Pop-up drain with lift rod and tailpiece
- Variety of handle style options
- White shampoo spray



**CODES/STANDARDS APPLICABLE**

Specified model meets or exceeds the following:

- ASME/ANSI A112.18.1M
- CSA B125
- Energy Policy Act of 1992
- IAPMO/UPC
- NSF 61

**COLORS/FINISHES**

- CP Polished Chrome
- PB Polished Brass

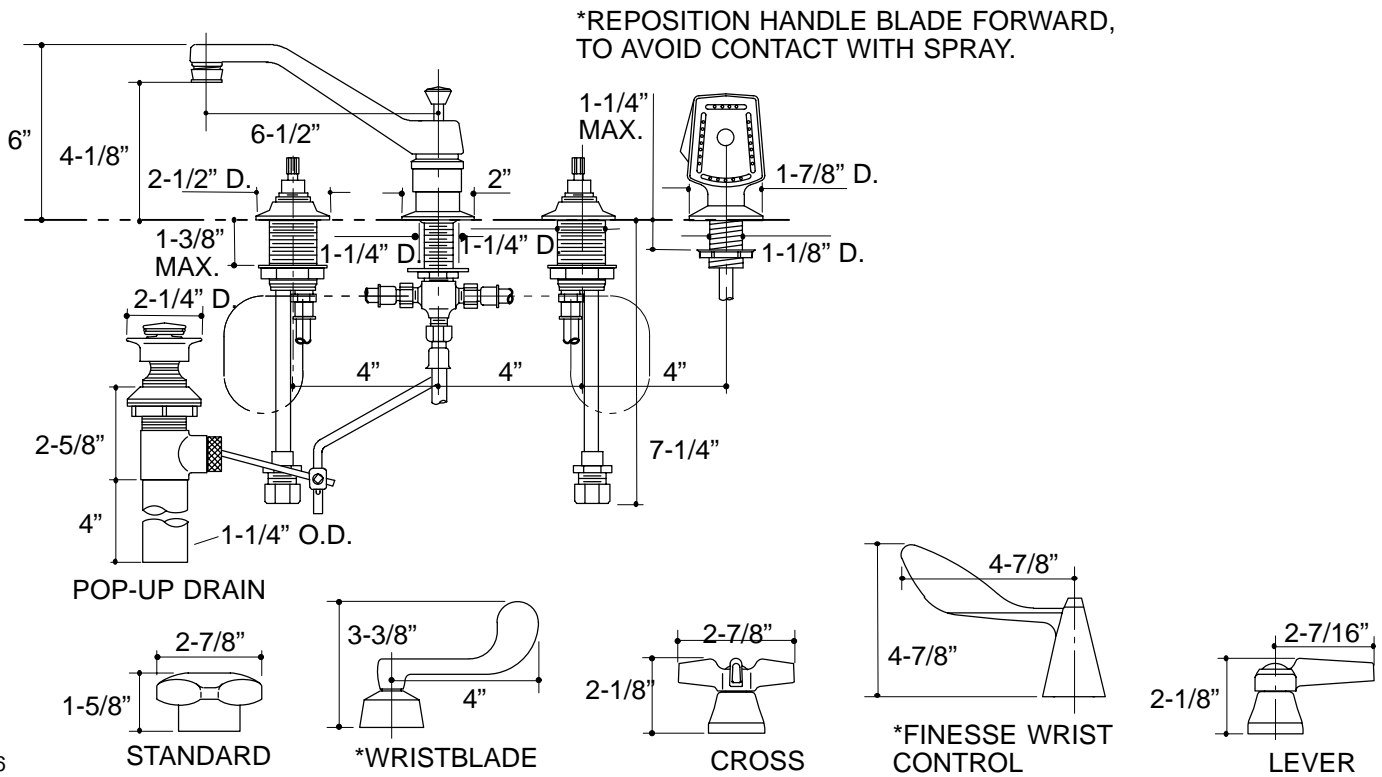
**SPECIFIED MODEL:** For complete faucet, both base faucet and handle choice must be specified.

Model	Description		
K-7449-K	Triton/Finesse Widespread Lavatory Shampoo Base Faucet	<input type="checkbox"/> CP	<input type="checkbox"/> PB

Handle Options (Includes Two Handles)						
K-16012-2 Triton Standard Handles	<input type="checkbox"/> CP					
K-16012-3 Triton Cross Handles		<input type="checkbox"/> CP				
K-16012-4 Triton Lever Handles			<input type="checkbox"/> CP			
K-16012-5 Triton Wristblade Lever Handles				<input type="checkbox"/> CP		
K-16022-5 Finesse Wrist Control Lever Handles					<input type="checkbox"/> CP <input type="checkbox"/> PB	

**PRODUCT SPECIFICATION:**

Two-handle widespread lavatory shampoo base faucet shall be of brass construction. Faucet shall feature brass valve bodies. Faucet shall feature quarter-turn washerless ceramic disc valves, assuring positive handle stop positioning. Product is intended for Lady Vanity lavatory installations. Product shall include 8" centers, 6-1/2" swing spout, pop-up drain with lift rod and tailpiece, and white shampoo spray. Base faucet shall be Kohler Model K-7449-K-\_\_\_\_\_ and handles shall be Kohler Model K-\_\_\_\_\_-\_\_\_\_\_-\_\_\_\_\_.



316

**PRODUCT DIAGRAM**