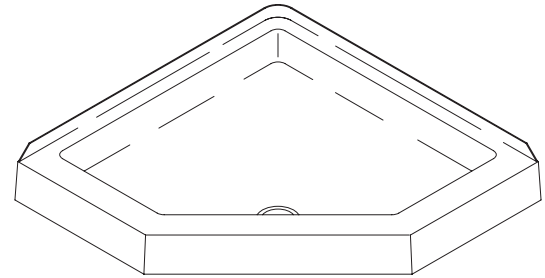


NEO-ANGLE SHOWER RECEPTOR

K-9866

FEATURES

- 38" x 38"
- Acrylic
- Reinforced with fiberglass
- Skid-resistant floor



CODES/STANDARDS APPLICABLE

Specified model meets or exceeds the following:

- ANSI Z124.2
- IAPMO/UPC
- Canadian Standards Association (CSA)
- State of Massachusetts

COLORS/FINISHES

- 0 White
- Other Refer to Fixtures Price Book for additional colors

Accessories:

- CP Polished Chrome
- PB Polished Brass
- SV Nevada Silver™
- BR New England Brass™
- Other Refer to Faucets Price Book for additional finishes
- NA None Applicable

SPECIFIED MODEL:

Model	Description	Colors/Finishes	
K-9866	Neo-angle shower receptor	<input type="checkbox"/> 0 White	<input type="checkbox"/> Other_____

Recommended Accessories			
K-9132	Drain	<input type="checkbox"/> CP	<input type="checkbox"/> PB <input type="checkbox"/> Other_____
Optional Accessories			
K-1182	Vinyl tiling-in bead		<input type="checkbox"/> NA
K-9868	Profile neo-angle shower enclosure* OR	<input type="checkbox"/> SV	<input type="checkbox"/> BR <input type="checkbox"/> Other_____
K-9716	Glassworks™ neo-angle shower enclosure*	<input type="checkbox"/> SV	<input type="checkbox"/> BR

* Refer to Fixtures Price Book for glass options.

PRODUCT SPECIFICATION:

The neo-angle shower receptor shall be 38" in length and 38" in width. Shower receptor shall be made of acrylic reinforced with fiberglass. Shower receptor shall have skid-resistant floor. Shower receptor shall be Kohler Model K-9866-_____.

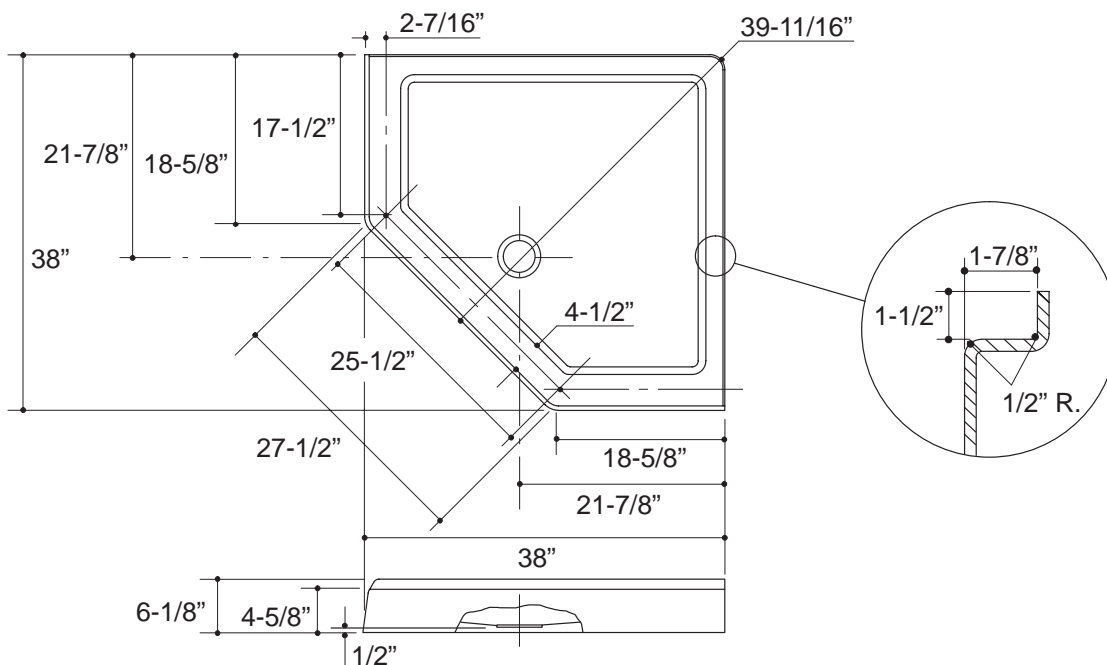
PROFILE®

PRODUCT INFORMATION

Fixture:	
Weight	63 lbs.
Configuration	1-piece
Drain Outlet	3-3/8" D.

INSTALLATION NOTES

IMPORTANT: If a Kohler Profile Shower Door is used with a Kohler receptor or a receptor you are building, refer to special framing instructions inside the installation instructions for receptor.



364

PRODUCT DIAGRAM