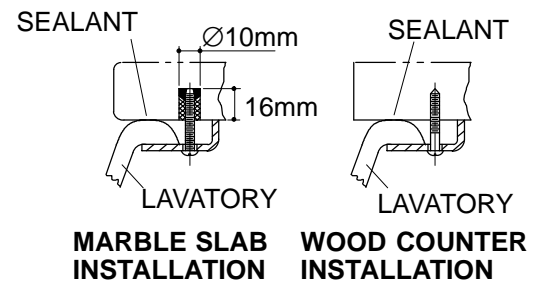
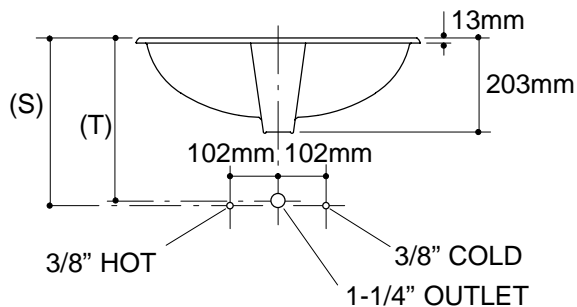
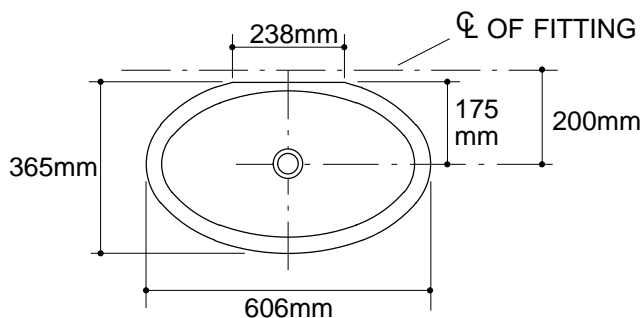


## Product Information

Fixture*:		basin area	water depth
Lavatory		533 x 305mm	124mm
Outlet	Ø44mm		

\* Approximate measurements for comparison only.

Included Components:	
Basin clamp assembly	52047
Adjustable linkage	40372
Adhesive sealant	63034
Cutout template	112603-7



NOTE: WATERPROOF UNPROTECTED OVERHANG AREA ON THE UNDERSIDE OF WOOD COUNTER.

Roughing-In Notes
Fixture dimensions are nominal and conform to tolerances in ASME Standard A112.19.2M.
(T) Pop-up drain 346mm.
(S) 356mm (Based on 305mm riser which may require cutting).
Supplied basin clamp assemblies require 25mm minimum countertop thickness. Installer must supply anchors for thinner countertops.

1.15>116