

### Ordering Information

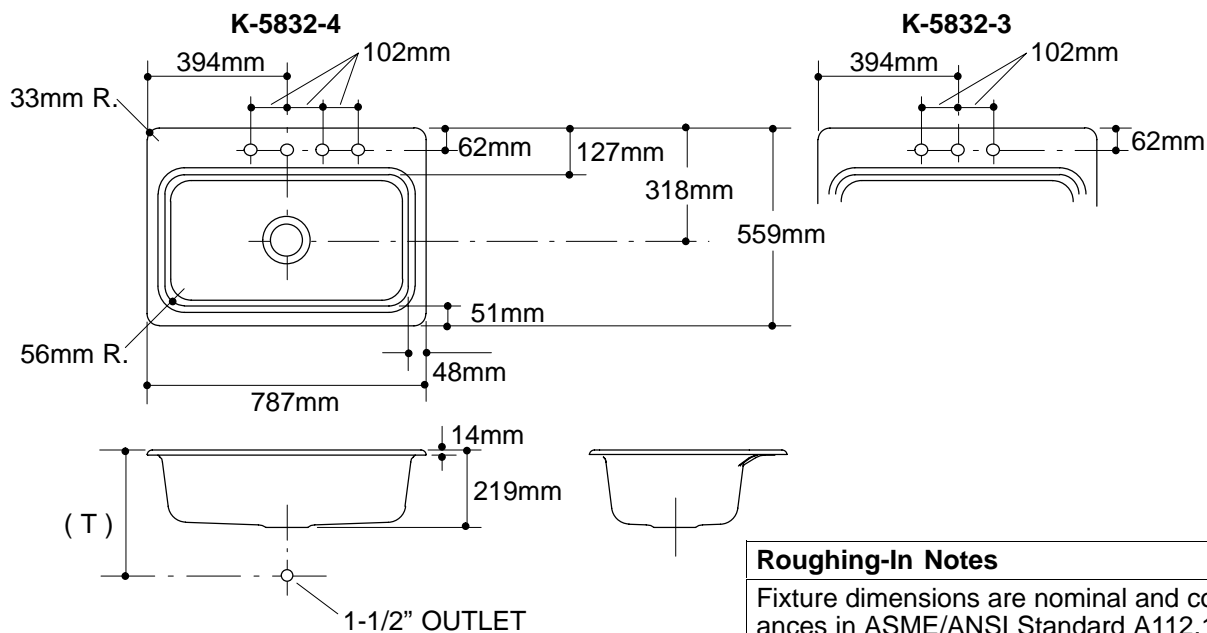
Applicable product:		
Four-hole sink	K-5832-4	shown
Three-hole sink	K-5832-3	not shown
Accessories/hardware:		
Cutting board	K-5836	optional
Bottom basin rack	K-6517	optional
Duostrainer® sink strainer	K-8801	recommended

### Product Information

Fixture*:		basin area	water depth
Sink		686 x 381mm	203mm
Outlets	Ø92mm		
Faucet holes	Ø35mm		
* Approximate measurements for comparison only.			

### Installation Notes

Refer to installation instructions included with fixture before beginning installation.



#### Roughing-In Notes

Fixture dimensions are nominal and conform to tolerances in ASME/ANSI Standard A112.19.1M.

(T) Drain typically 356mm.

Cutout	756 x 527mm with 25mm radius corners.
--------	---------------------------------------

.75<116

**K-5832** Bakersfield™ Sink  
113986-1M-BA (-)

# KOHLER®