

Ordering Information

Applicable product:		
254mm centers lavatory	K-2001-10	shown
Single-hole lavatory	K-2001-1	not shown
Console table legs	K-6860	shown
Accessories/hardware:		
Supplies 3/8" (pair)	K-7605-P	recommended
Tailpiece shroud	K-7709	optional
Trap	K-9018	recommended
Skirt	K-9624	optional

Product Information

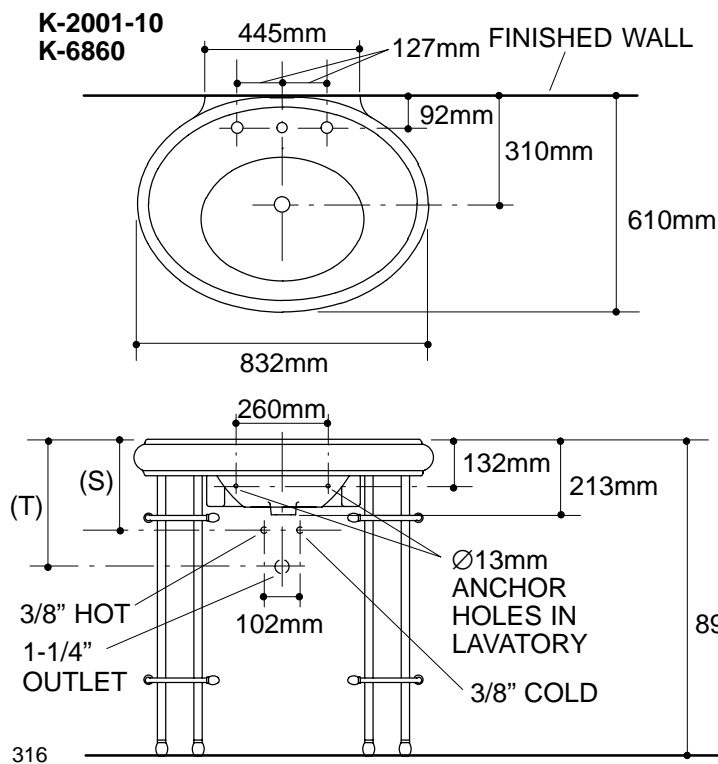
Fixture*:		basin area	water depth
Lavatory		457 x 356mm	165mm
Outlet	Ø44mm		
* Approximate measurements for comparison only.			

Holes	K-2001-10	K-2001-1	
Spout	Ø30mm	Ø35mm	
Faucet	Ø37mm		

Included Components:	
Lavatory accessory pack	84017

Installation Notes

Refer to installation instructions included with fixture before beginning installation.



Roughing-In Notes

Fixture dimensions are nominal and conform to tolerances in ASME Standard A112.19.2M.

(T) Pop-up drain 356mm.

(S) 254mm (Based on 305mm riser which may require cutting).

