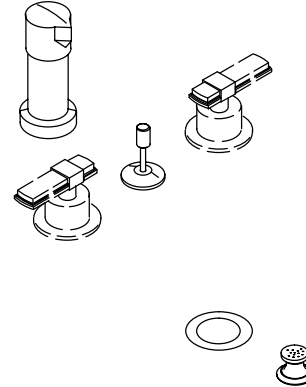


**FEATURES**

- Brass construction
- Flexible connections
- Brass valve bodies
- Quarter-turn washerless ceramic disc valves
- Pop-up drain with lift rod and tailpiece
- Available with square or lever handles
- Matching brushed metal insets
- Vertical spray
- Fixture-mount transfer valve/vacuum breaker



**CODES/STANDARDS APPLICABLE**


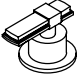
Specified model meets or exceeds the following:






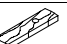
- ASME/ANSI A112.18.1M
- CSA B125
- IAPMO/UPC

**COLORS/FINISHES**

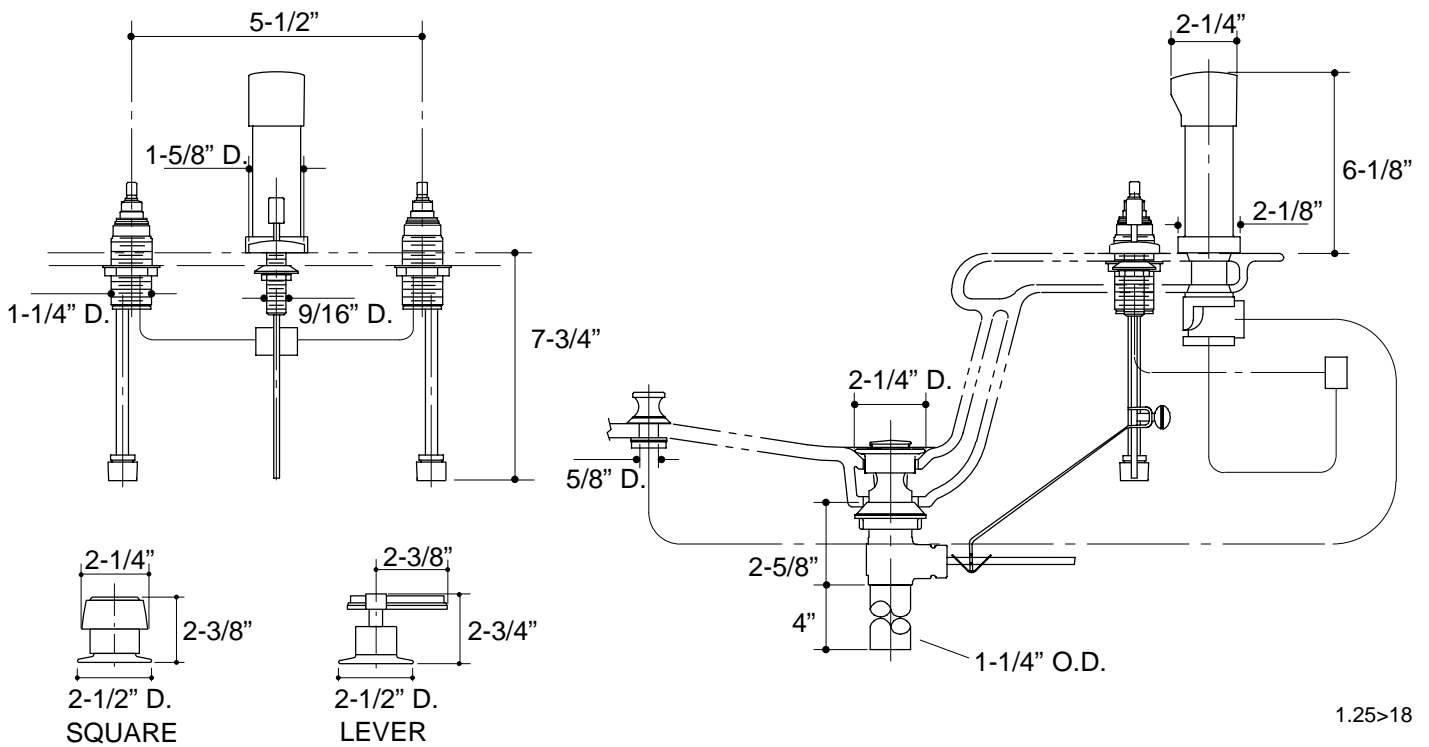
- CP Polished Chrome
- PB Polished Brass
- Other Refer to Faucets Price Book for additional finishes

**SPECIFIED MODEL:**

Model	Description			ADA
K-9295-2	With Square Handles	<input type="checkbox"/> CP <input type="checkbox"/> PB <input type="checkbox"/> Other_____		
K-9295-4	With Lever Handles		<input type="checkbox"/> CP <input type="checkbox"/> PB <input type="checkbox"/> Other_____	

Optional Accessories					
	K-9917	Large Handle Stone Inset, Single			<input type="checkbox"/> Other_____
	K-9923	Large Handle Metal Inset, Single	<input type="checkbox"/> CP	<input type="checkbox"/> PB	<input type="checkbox"/> Other_____
	K-9926	Large Handle Ceramic Inset, Single			<input type="checkbox"/> Other_____
	K-9932	Large Handle Champeve Inset, Single			<input type="checkbox"/> Other_____
	K-9971	Small Lever Metal Inset, Single	<input type="checkbox"/> CP	<input type="checkbox"/> PB	<input type="checkbox"/> Other_____
	K-9985	Small Lever Stone Inset, Single			<input type="checkbox"/> Other_____

**PRODUCT SPECIFICATION:**  
 Two-handle fixture-mount bidet faucet shall be of brass construction. Faucet shall feature brass valve bodies. Faucet shall feature quarter-turn washerless ceramic disc valves, assuring positive handle stop positioning. Product shall include flexible connections, pop-up drain with lift rod and tailpiece, handles with matching brushed metal insets, vertical spray, and fixture-mount valve/vacuum breaker. Faucet shall be Kohler Model K-9295-\_\_\_\_\_-\_\_\_\_\_-\_\_\_\_\_.



1.25>18

## PRODUCT DIAGRAM