

Ordering Information

Accessories/hardware:		
Tower	K-1000	required
Corner enclosure	K-5162	required
Drain	K-7160-TF	recommended
Taboret Rite-Temp	K-1099	recommended
Taboret Two-handle	K-1098	

Required Electrical Service

Dedicated circuit required, protected with Class A Ground-Fault Circuit-Interrupter (GFCI):	
Pump/control	120 V., 20 A, 60 Hz

Product Information

Fixture*:	basin area	top area	weight	
Bathing well	1524 x 711mm	1575 x 737mm	52 Kg.	
	water depth	capacity		
To overflow	267mm	163 litres**		
*Approximate measurements for comparison only. **140 litre minimum required for BodySpa operation.				
Pump:	HP	V	Hz	A
1-speed	2	120	60	18.5

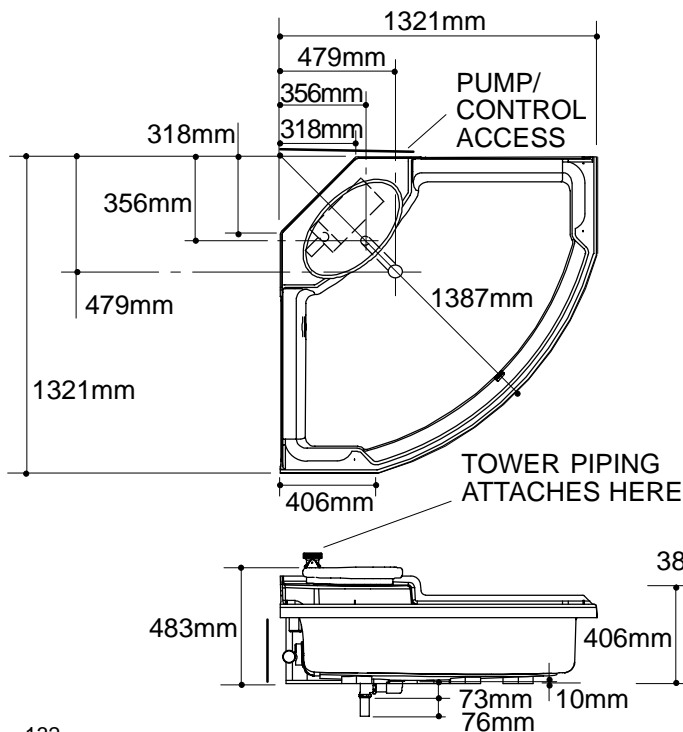
Installation Notes

Refer to installation instructions included with fixture before beginning installation.

Allow 2121mm to 2134mm from sub-floor to finished ceiling or header for proper enclosure installation.

Top of unit must be enclosed to retain heat and contain water spray.

Pump is supplied with a grounding type plug-in cord. Locate the outlet behind the bath, and within 610mm of the pump.



Roughing-In Notes

Fixture conforms to ANSI Standard Z124.1. All dimensions are nominal.

No change in measurements if connected with drain illustrated.

Minimum access panel:

Pump/control	508mm W x 305mm H panel	required
--------------	-------------------------	----------

