

Ordering Information

Applicable product:		
Five-hole sink	K-5878-5	shown
Four-hole sink	K-5878-4	not shown
Three-hole sink	K-5878-3	not shown
Accessories/hardware:		
Bottom basin rack	K-6008	optional

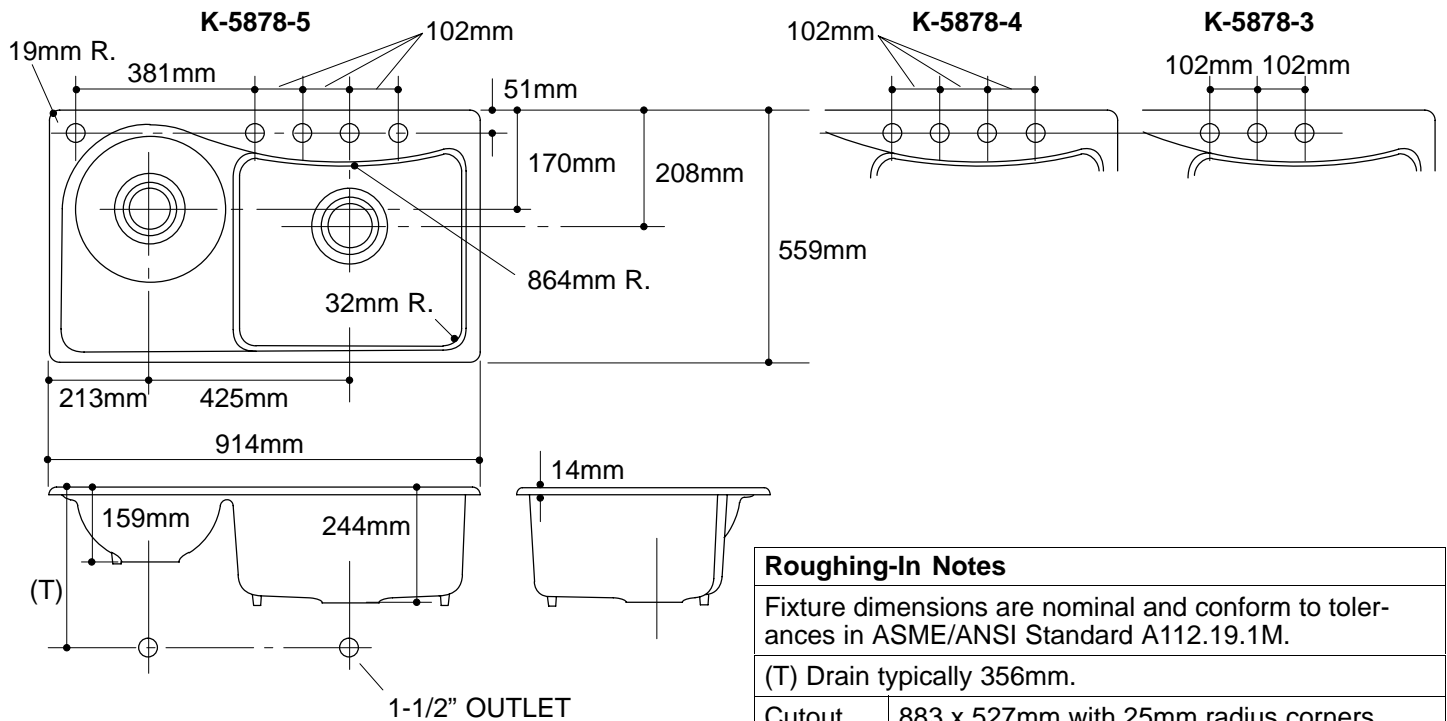
Product Information

Fixture*:		basin area	water depth
Sink, small		Ø292mm	127mm
Sink, large		483 x 457mm	216mm
Outlet	Ø98mm		
Faucet and spout holes	Ø35mm		
* Approximate measurements for comparison only.			

Included Components:	
Hardwood cutting board	95723

Installation Notes

Refer to installation instructions included with fixture before beginning installation.



Roughing-In Notes	
Fixture dimensions are nominal and conform to tolerances in ASME/ANSI Standard A112.19.1M.	
(T) Drain typically 356mm.	
Cutout	883 x 527mm with 25mm radius corners.