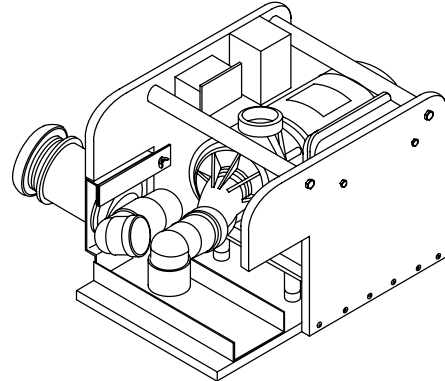


### FEATURES

- For use with K-1000 or K-1002 only
- 22" x 18-1/2" x 12"
- For indoor use only
- 2HP pump with grounding-type plug-in cord
- UL listed
- Recirculating pump kit delivers flows up to 80 gallons per minute of powerful hydro-massage
- Order one pump kit, Waterfall or tower, and drain for each complete BodySpa custom installation

## K-1001, K-1003



### CODES/STANDARDS

Specified model meets or exceeds the following:

- Underwriters Laboratories (UL)

### COLORS/FINISHES

- CP Polished Chrome
- PB Polished Brass
- 0 White

#### Accessories:

- CP Polished Chrome
- PB Polished Brass
- CW White with Polished Chrome
- PW White with Polished Brass
- 0 White

### SPECIFIED MODEL:

Model	Description	Colors/Finishes			
K-1001	BodySpa custom pump kit for tower (shown)	<input type="checkbox"/> CP	<input type="checkbox"/> PB		<input type="checkbox"/> 0 White
K-1003	BodySpa custom pump kit for Waterfall	<input type="checkbox"/> CP	<input type="checkbox"/> PB		<input type="checkbox"/> 0 White
<b>Required Accessories</b>					
K-1000	10-Jet Tower	<input type="checkbox"/> CP	<input type="checkbox"/> PB	<input type="checkbox"/> CW	<input type="checkbox"/> PW
K-1002	BodySpa Waterfall	<input type="checkbox"/> CP	<input type="checkbox"/> PB		<input type="checkbox"/> 0 White
<b>Recommended Accessories</b>					
K-7179	BodySpa custom drain	<input type="checkbox"/> CP	<input type="checkbox"/> PB		

### PRODUCT SPECIFICATION:

The pump kit shall be for use with K-1000 or K-1002 only. Pump kit shall be 22" in length, 18-1/2" in width, and 12" in height and be for indoor use only. Pump kit shall have 2HP pump with grounding-type plug-in cord and be UL listed. Recirculating pump kit shall deliver flows up to 80 gallons per minute of powerful hydro-massage. Pump kit shall be configured with Waterfall or tower and custom drain or equivalent. Pump kit shall be Kohler Model K-\_\_\_\_\_ -\_\_\_\_\_.

# BODYSPA

## REQUIRED ELECTRICAL SERVICE

Dedicated circuit required, protected with Class A Ground-Fault Circuit-Interrupter (GFCI):	
Pump/control	120 V., 20 A, 60 Hz

## PRODUCT INFORMATION

Fixture:				
Weight				47 lbs.
Pump:	HP	V	Hz	A
1-speed	2	120	60	20.0

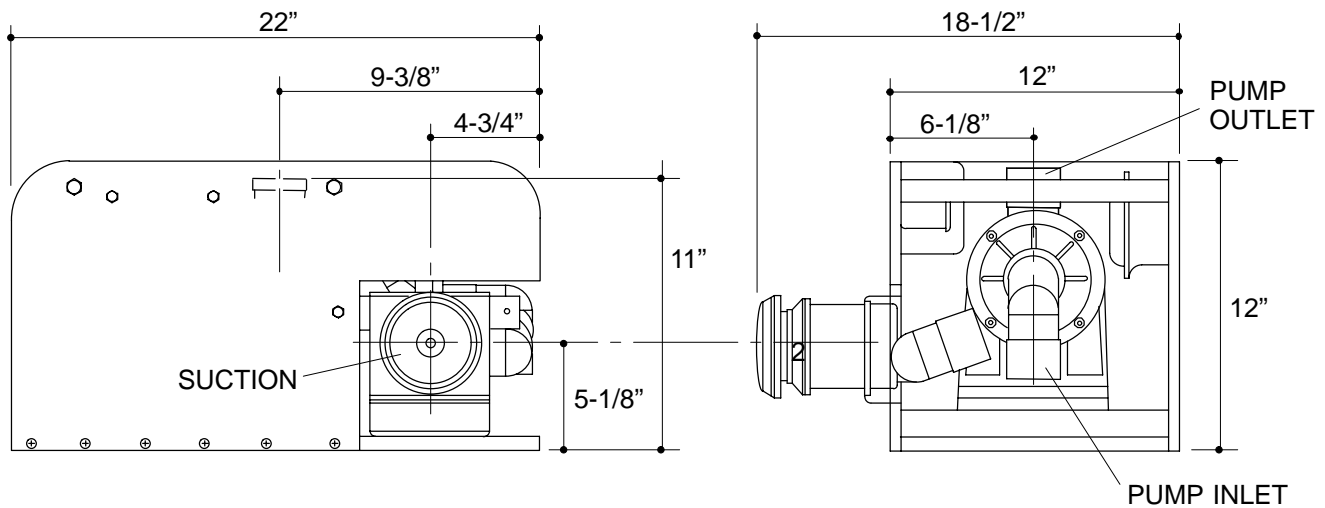
## INSTALLATION NOTES

Locate control switch within reach of the pump kit.

Pump kit includes variable flow valve and related fittings.

6' control cable is included.

Pump supplied with a grounding type plug-in cord. Locate the outlet within 24" of the pump.



## PRODUCT DIAGRAM