

SPEC SHEET

TT Double Sconce

Item # SL 2861PN

Designer: E. F. Chapman

Height: 18"

Width: 10"

Extension: 7"

Backplate: 4" x 6" Rectangle

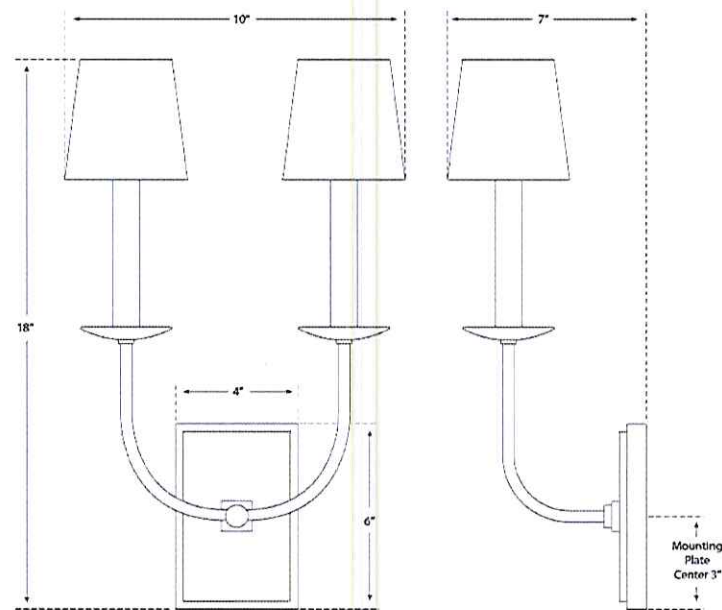
Finishes: AN, BZ, HAB, PN

Socket: 2 - Candelabra

Wattage: 2 - 60 C

Note: CHS104NP Shade Sold Separately / Use 40 Watt
Frosted Type "B" with Clip On Shade

©EFC DESIGNS



VISUAL COMFORT & Co. Est. 1987

ASSEMBLY INSTRUCTIONS

TT Double Sconce

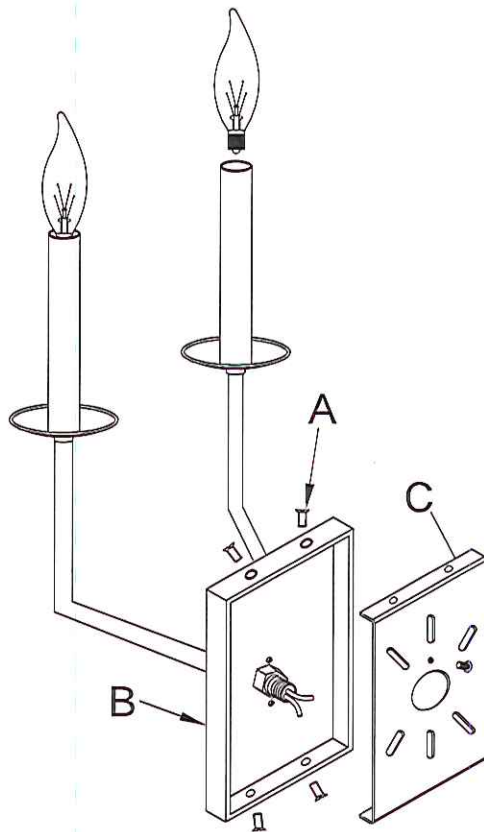
Item # SL2861

WE RECOMMEND INSTALLATION OF THIS LIGHTING FIXTURE BE DONE BY A LICENSED ELECTRICIAN.

WARNING * SWITCH OFF THE MAIN ELECTRICAL SUPPLY FROM THE MAIN FUSE BOX/CIRCUIT BREAKER BEFORE INSTALLATION.**

INSPECT ITEM CAREFULLY BEFORE ATTEMPTING TO INSTALL. IF THERE IS ANY DAMAGE OR OBVIOUS DEFECT, DO NOT INSTALL.

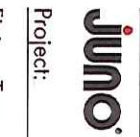
ITEM MAY NOT BE RETURNED ONCE IT HAS BEEN INSTALLED.



1. Take off the four mounting screws (A) from the back-plate (B).
2. Install (C) to the wall with wood screws or outlet box screws.
3. Connect the electrical wires making sure all wire nuts are secured. You may have to wrap the connections with electrical tape. If your junction has a ground wire (green or bare copper), connect the fixture's ground wire to it. Otherwise connect fixture's ground wire directly to the junction box.
4. Secure the fixture with the four mounting screws (A) to (C), then tighten them.
5. Insert light bulbs (not included) into sockets.
6. Return the power and test fixture.


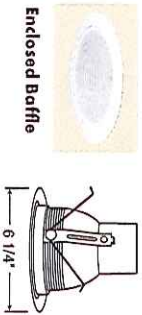
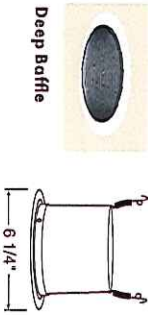
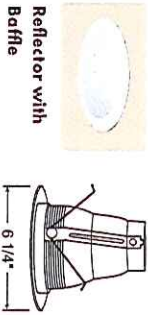
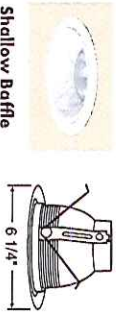


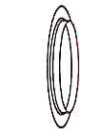
VISUAL COMFORT & Co. Est. 1987



5" TRIM SERIES BAFFLES

Project: _____
 Fixture Type: _____
 Location: _____
 Contact/Phone: _____

Trim Series	Dimensions	Aperture	Catalog No.	Housing/Lamp Compatibility
Downlight Baffle		4 3/8"	205W-WH - White Baffle, White Trim	IC20/IC20W/IC20S/IC20R: 50W PAR30
			205B-WH - Black Baffle, White Trim	TC20/TC20S/TC20R: 75W PAR30, 65W BR30
			205B-ABZ - Black Baffle, Classic Aged Bronze Trim	IC20LEDG4/IC20RLEDG4/IC20LWDG4N/IC20RLWDG4N Series
Enclosed Baffle		4 3/8"	205B-SC - Black Baffle, Satin Chrome Trim	IC920LEDG4/IC920RLEDG4/IC920LWDG4/IC920RLWDG4 Series
			Compatible with TR5, 5" Trim Ring	IC1420LEDG4 Series, TC1420LED4 Series TC920LEDG4 Series
Deep Baffle		4 1/2"	203W-WH - White Baffle, White Trim	IC20/IC20W/IC20S/IC20R: 65W BR30, 75W PAR30L, 75W PAR30 with Socket Extender
			203B-WH - Black Baffle, White Trim	IC20N/IC20NW: 65W BR30
Reflector with Baffle		4 3/8"	218W-WH - White Baffle, White Trim	ICPL/PL526: 26W, ICPL/PL518: 18W, ICPL/PL513: 13W
			218B-WH - Black Baffle, White Trim	
Shallow Baffle		4 3/8"	275W-WH - White Baffle, White Trim	IC25/IC25W/IC25S/IC25R: 50W BR30, 50W PAR30, 50W PAR30L
			275B-WH - Black Baffle, White Trim	



5" Trim Ring compatible with 203, 205 trims
 TR5-WH - White
 TR5-BL - Black
 TR5-SC - Satin Chrome
 TR5-ABZ - Classic Aged Bronze



1300 S. Wolf Road • Des Plaines, IL 60018 • Phone (847) 827-9880 • Fax (847) 827-2925
 220 Chrysler Drive • Brampton, Ontario • Canada L6S 6B6 • Phone (905) 792-7335 • Fax (905) 792-0064
 Visit us at www.junolightinggroup.com
 Printed in U.S.A. ©2015 Juno Lighting, LLC.



S9148

8.5BR30/LED/2700K/650L/D
8.5 watt; BR30 LED; 106° beam spread; 2700K; Medium base;
120 volts; Dimmable



S9148

Features

- Repackaged display of 48 single packs
- 65W replacement
- 2700K Warm white
- Dimmable
- Damp location

Top 3 Compatible Dimmers

- Lutron® CT-600P
- Leviton® 6674 Universal
- Leviton® IPL06 Universal

Item Number	UPC	Voltage	Watts	Incandescent Equivalent	Power Factor	Lamp Shape	Base
S9148	045923091483	120	8.5	65W	0.95	BR30	Medium
ANSI Base	Lamp Code	Finish	MOL In Inches	MOD In Inches	Initial Lumens	Average Rated Hours	Kelvin Temp
E26	8.5BR30/LED/2700K/650L/D	Frosted	5 3/16"	3.75"	650	25000	2700
Color	CRI	Beam Spread	Pack	Package Type	ENERGY STAR	RoHS Compliant	UL or ETL Listed
Warm White	80	106	48	Box	ENERGY STAR	Yes	Yes
UL Classification							
Damp							
Warranty							
3 Year Limited							



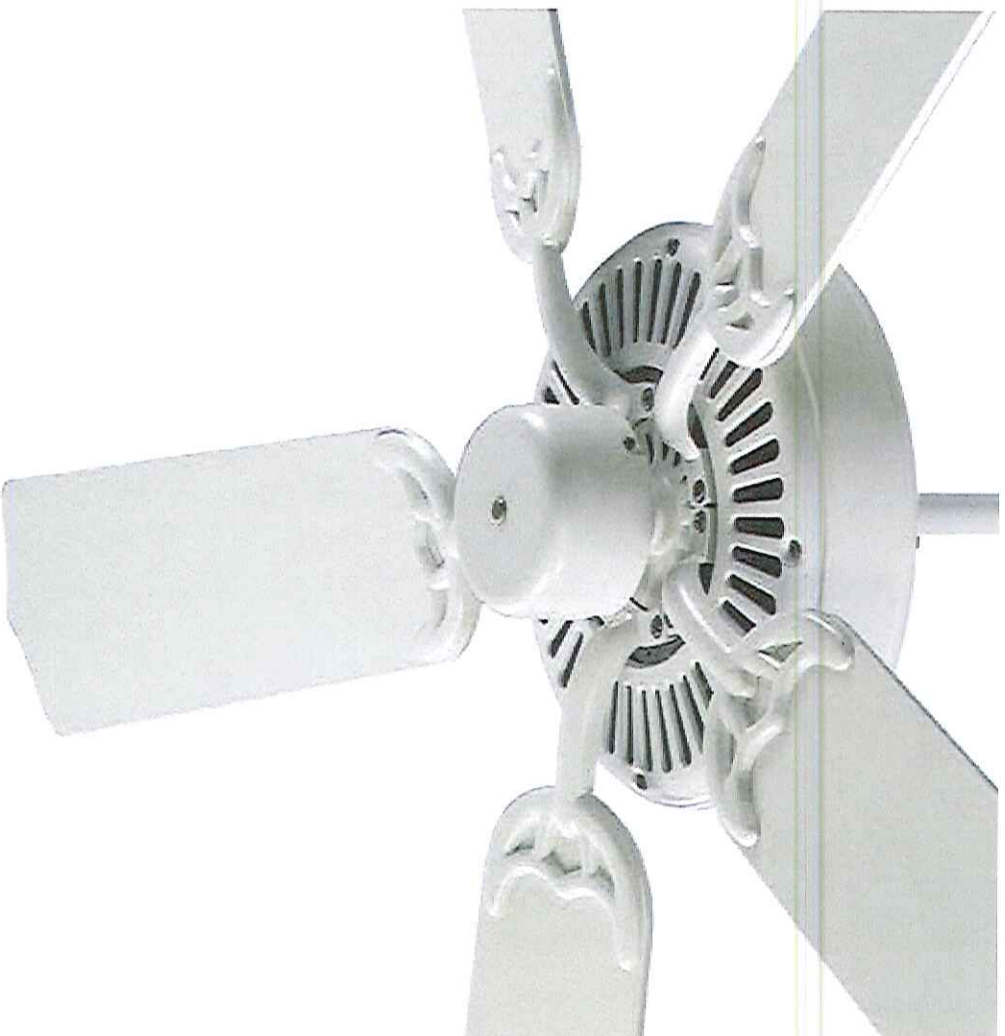
National Toll-Free:
800.433.SATCO
(800.437.2826)
www.satco.com

Distribution Centers:
New York, Florida, Texas,
Washington, California,
Puerto Rico

Corporate Offices:
110 Heartland Blvd.,
Brentwood, NY 11717
800.437.2826 631.243.2022
Fax 631.243.2027



Ceiling Fan



77525-67

Item Specs:

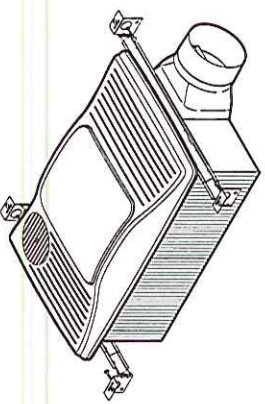
Antique White Ceiling Fan

Antique White blades

Specifications:

.57/.39/.21 AMPS on H - L | 70/30/9 WATTS on H - L | 180/120/63 RPM on H - L | 153x15mm Motor Size | 14 Poles | Limited Lifetime Motor Warranty | 80 | 11.5-Degree Blade Pitch | Blade Type: 1-52 / Blade Tip: pointed

MODEL 100HL VENTILATION FAN WITH LIGHT AND HEATER



FEATURES

GRILLE & LIGHTING:

- White polymeric grille
- Snap-in light diffusing lens
- Bright incandescent lighting, uses one 100-watt (max.) A19 lamp

VENTILATOR:

- Resilient anti-vibration mounts
- Plug-in, permanently lubricated motor
- High performance blower wheel

HEATER:

- 1500 watts, with metal blower wheel for efficient, even heating
- Rotatable heater grille - direct heat where needed
- Plug-in, permanently lubricated motor - functions independent of ventilator

HOUSING:

- Rugged galvanized steel housing
- Polymeric, 4" round damper/duct connector
- 5-7/8" height allows for 2" x 6" (nominal) joist installations
- Sturdy, easy, four-point mounting direct to joist
- Hanger bars allow housing to be positioned anywhere between 16" to 24"-on-center joists

- Suitable for use in insulated ceilings (Type I, C.).
- Use Model 66V (Ivory) / 66W (White) Three Function Control

NOTE: This product must be mounted in a flat ceiling only. Installation in ceilings 9-foot high or less will provide maximum comfort. Do not mount this product in a wall.

TYPICAL SPECIFICATION

Combination unit shall be Broan Model 100HL.

Unit shall have galvanized steel housing and adjustable mounting brackets.

Unit must be rated to handle a 100-watt (max.) lamp.

Fan, heater, and light shall be separately controllable.

Motor shall be permanently lubricated.

Heater to deliver 1500 Watts of fan-forced heat.

Air delivery shall be no less than 100 cfm and sound levels no greater than 2.0 sones . All air and sound ratings shall be certified by HVI.

Unit shall be UL listed.

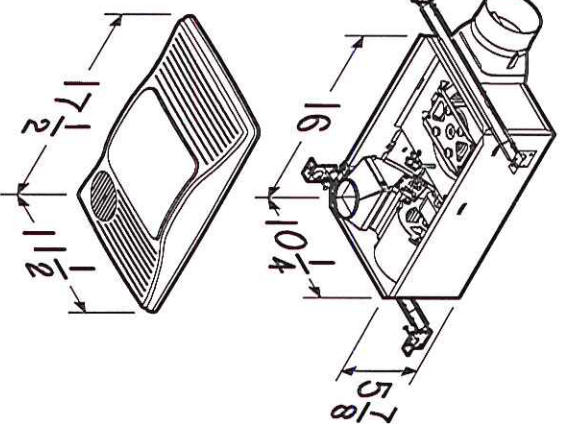
Combination unit to be suitable for use in insulated ceilings. (Type I, C.)

MODEL	VOLTS	AMPS	STATIC PRESSURE	CFM	SONES	DUCT
100HL	120	14.0 *	0.10 0.25	100 85	2.0	4" Round

* Requires a dedicated 20-Amp circuit.

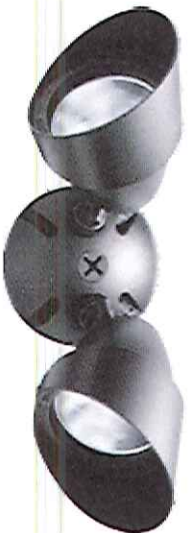


HVI-2100 CERTIFIED RATINGS comply with new testing technologies and procedures prescribed by the Home Ventilating Institute, for off-the-shelf products, as they are available to consumers. Product performance is rated at 0.1 in. static pressure, based on tests conducted in a state-of-the-art test laboratory. Sones are a measure of humanly-perceived loudness, based on laboratory measurements.



Broan-NuTone LLC Hartford, Wisconsin www.broan.com 800-558-1711

REFERENCE	QTY.	REMARKS												
		<table border="1"> <tr> <td>Project</td> <td></td> </tr> <tr> <td>Location</td> <td></td> </tr> <tr> <td>Architect</td> <td></td> </tr> <tr> <td>Engineer</td> <td></td> </tr> <tr> <td>Contractor</td> <td></td> </tr> <tr> <td>Submitted by</td> <td>Date</td> </tr> </table>	Project		Location		Architect		Engineer		Contractor		Submitted by	Date
Project														
Location														
Architect														
Engineer														
Contractor														
Submitted by	Date													

QB2A**RAB**
LIGHTING

Twin 75 Watt Quartz Bullet floods come pre-assembled and pre-wired on C103 mounting plate. Lamps supplied.

Color: Bronze

Weight: 2.1 lbs

Project:

Type:

Prepared By:

Date:

Lamp Info

Ballast Info

Type:	T-4	Type:	N/A
Watts:	75W	120V:	N/A
Shape/Size:	N/A	208V:	N/A
Base:	N/A	240V:	N/A
ANSI:	N/A	277V:	N/A
Hours:	1,500	Input Watts:	75W
Lamp Lumens:	1,500		
Efficacy:	20 LPW		

Technical Specifications

Listings

Reflector:

UL Listing:

Suitable for wet locations. Suitable for mounting within 1.2m (4ft) of the ground.

Semi-specular anodized aluminum.

Construction

Lens:

Housing:
Precision die cast aluminum, 1/2" NPS threaded arm with locking swivel and EZ Grip lock nut fits all standard mounting covers.

Thick, tempered glass.
Finish:
Our environmentally friendly polyester powder coatings are formulated for high-durability and long-lasting color, and contains no VOC or toxic heavy metals.

Lens Gasket:

High temperature silicone gasket stays in place during relamping.

Installation:

Twin 75w Flood Kit pre-assembled on C103 plate for easy installation.

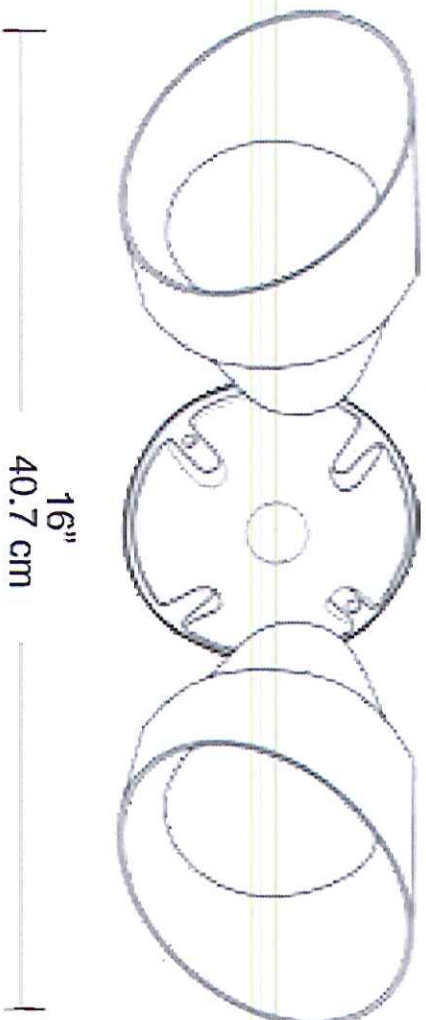
Electrical

Sockets:

Porcelain bi-pin GY 8 base with gold plated contacts and 250° C socket wires.

Other

Replacement Lamps:

QB2A**Dimensions****Features**

Integra Hood
 Glare Shield
 minimizes
 side glare
 and hood
 can be
 rotated

Highest
 quality 120
 volt quartz
 lamp
 included

Thick,
 tempered
 glass lens
 with silicone
 O-ring
 gasket

External and
 internal heat
 dissipating
 fins

Arm with
 locking teeth
 tightens
 securely with
 just finger
 pressure

Gold
 contacts
 prevent lamp
 and socket
 fusion due to
 electrolytic
 corrosion

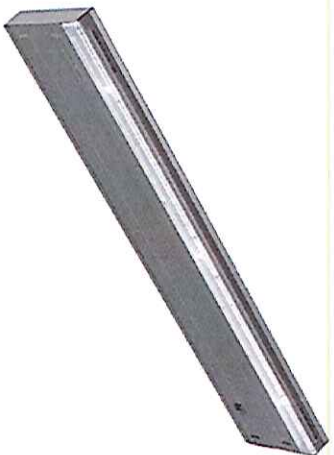
Internal and
 external heat
 dissipating
 fins for
 cooler
 operation to
 extend lamp
 and fixture
 life

Need help? Tech help line: 888 RAB-1000 Email: sales@rabweb.com Website: www.rabweb.com
 Copyright © 2014 RAB Lighting Inc. All Rights Reserved Note: Specifications are subject to change at any time without notice

Page 2 of 2

KICHLER

Style to live by™



Design Pro LED 2700K 22" Cabinet Light - 120V Bron 12067BZ27 (Bronze)

Product Description: This low profile 22" Design Pro LED cabinet light in Bronze features built in transformers and captive screws for easy installation. It utilizes 3 LED at a warm white 2700K. .

Available Finishes

Bronze
Bronze
Stainless Steel
White
White
Stainless Steel

Technical Information

Project	
Type	
Ordering #	
Comments	

Switch Type:	On-Off, Rocker
Weight:	2.45 LBS
Safety Rated:	Dry
Color Rendering Index:	78-82
Color Temperature Range:	2567-2873
Expected Life Span:	40000 Hours
Operating Voltage Range:	114-126 VAC
Width:	4"
Height:	1"
Length:	22.75"
Lamp Included:	Integrated
Voltage:	120VAC
Energy Efficient:	Yes
Light Source:	LED
Kelvin Temperature:	2700K
Number of Bulbs:	3
Finish:	Bronze

MINIKA-LAVERY®

Job Name:	
Job Type:	
Quantity:	

Family:	N/A
Product Category:	Flush Mount
Item#:	1010-44-PL
Finish:	WHITE
Certification:	E185183 ABI



Lamping

Light Type:	T8-17w,G13,Fluorescent Tube
Socket Type:	G13, (T8)
Max Wattage:	17
Bulbs Included:	N
Dimmable:	N
CRI:	N/A
Color Temp:	N/A
Initial Lumens:	N/A
Delivered Lumens:	N/A
Rated Life Hours:	N/A
Photo Cell Included:	N/A
Ballast:	N/A

Measurements

Width:	25
Height:	2.5
Length:	N/A
Min Overall Height:	N/A
Max Overall Height:	N/A
Height Adjustable:	N
Extension:	6.75
Net Weight:	13.16
Back Plate/Canopy Width:	N/A
Back Plate/Canopy Height:	N/A
Canopy Length:	N/A
Center to Top of Fixture:	N/A
Center to Bottom of Fixture:	N/A
Slope:	N
Chain Length:	N/A
Wire Length:	7

Shipping

Carton Weight:	4.95
Carton Width:	8.63
Carton Height:	4.5
Carton Length:	28.75
Carton Cubic Feet:	0.65
Master Pack:	4
Master Pack Weight:	20.61
Master Pack Width:	19
Master Pack Height:	9.38
Master Pack Length:	29.25
Master Cubic Feet:	3.017
*Multi-Pack:	1
Small Package Shippable:	Y

Shade

*Shade Description:	White Acrylic
*Shade Material:	Acrylic
*Shade Quantity:	1
*Shade Number:	G1010
*Shade Width:	N/A
*Shade Height:	N/A
*Shade Length:	N/A

Miscellaneous

Safety Cable Included:	N
------------------------	---

*For additional information, please contact Customer Care: 1-800-221-7977.

Product depicted on this spec sheet is protected by United States Federal and/or State laws including US Patent, Trademark and/or Copyright and unfair competition laws. Unauthorized reproduction or use carries severe legal penalties.