

# CHASE



#38200P319969

**Carrollton and Hampson**  
**637 S. Carrollton Ave.**  
**New Orleans, LA 70188**



#### REVISION NOTES:

R1: add E.1 MT option of custom M-25 - 5.1.19 bjonas  
R2: E.1 custom MT chosen; chg E.14 to ADA-EQ; add E.22 TC-P-ADA-LA-V-RE stall sign - 5.9.19 bjonas  
R3: add permit details - 5.24.19 bjonas  
R6: detail drawing - add paint spec for E.1 MT; chg E.4 SUR to custom narrow w/ no back panel; chg I.19-20 RR signs to AG - 8.26.19;  
add I.23 custom nickel back panel to REM/NO; add I.24 CPC-SSPL-3.5 fireball loc TBD - 9.12.19 bjonas  
R8: detail drawing - add E.26 TC-W-ADA-LA wall mount HC stall sign; add E.26 DU-C cover right DU lane - 9.17.19 bjonas  
R10: detail drawing - update dims & callouts on E.1 MT overview; chg E.10 CS St to QF skid-mount - 10.14.19 bjonas  
R12: detail drawing - delete E.6 TC-P-H sign; reduce height in remaining E.5/E.7 signs to 6' max hgt - 1.20.20; add 9 MT P/L setbacks - 1.27.20 bjonas



**Signtech™**

4444 Federal Blvd. San Diego CA 92102  
Phone: (619) 527-6100 / Fax: (619) 527-6111  
signtech.com



**JP Morgan Chase Bank**  
**#38200P319969**

**Carrollton and Hampson**  
**637 S. Carrollton Ave.**  
**New Orleans, LA 70188**

Initial Date: 04/29/19  
Salesperson: Arthur Navarro  
Coordinator: Tracey Pichierri  
Designer: bjonas  
Scale: As noted

#### CUSTOMER APPROVAL

Customer Signature \_\_\_\_\_ Date \_\_\_\_\_  
**COPY, COLORS & SIZES**

Signtech does NOT provide primary  
electrical to sign location -  
**RESPONSIBILITY OF OTHERS!**

Customer Signature \_\_\_\_\_ Date \_\_\_\_\_

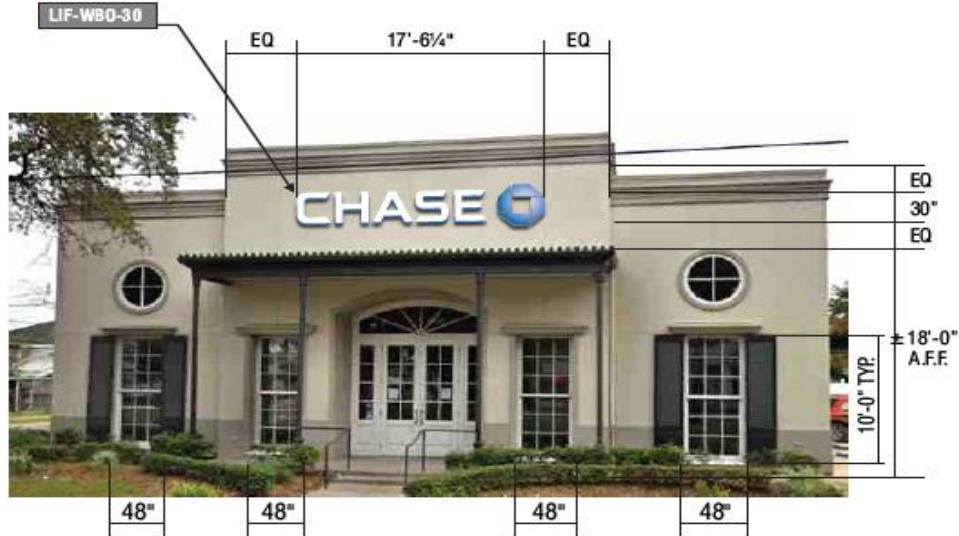
This design is the exclusive property of Signtech  
and cannot be reproduced in whole or in part,  
without their prior written approval.

Drawing Number: 19-01009

Project ID: CHASE\_38200P319969\_1

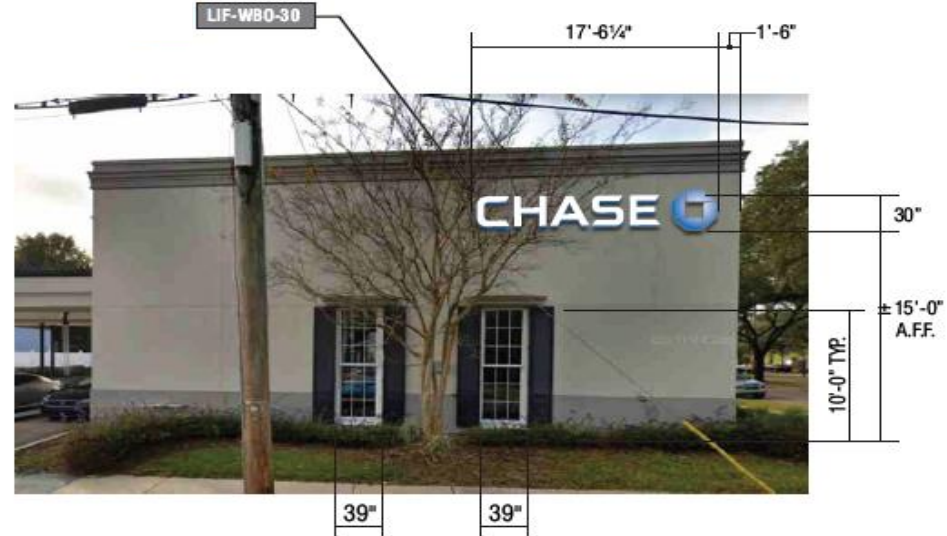
Revision: R10 - 10.14.19

# SIGNAGE OVERVIEW



**WEST ELEVATION**

**SCALE: 3/32" = 1'-0"**



**NORTH ELEVATION**

**SCALE: 3/32" = 1'-0"**



**Signtech™**

4444 Federal Blvd. San Diego CA 92102  
Phone: (619) 527-6100 / Fax: (619) 527-6111  
signtech.com



**JP Morgan Chase Bank**  
#38200P319969

Carrollton and Hampson  
637 S. Carrollton Ave.  
New Orleans, LA 70188

Initial Date: 04/29/19  
Salesperson: Arthur Navarro  
Coordinator: Tracey Pichierri  
Designer: bjonas  
Scale: As noted

**CUSTOMER APPROVAL**

Customer Signature \_\_\_\_\_ Date \_\_\_\_\_  
**COPY, COLORS & SIZES**

Signtech does NOT provide primary electrical to sign location -  
**RESPONSIBILITY OF OTHERS!**

Customer Signature \_\_\_\_\_ Date \_\_\_\_\_  
This design is the exclusive property of Signtech and cannot be reproduced in whole or in part, without their prior written approval.

Drawing Number: 19-01009

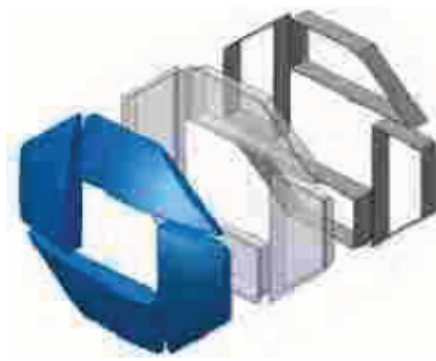
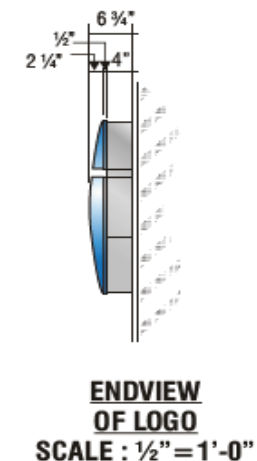
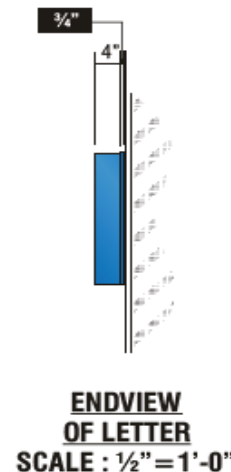
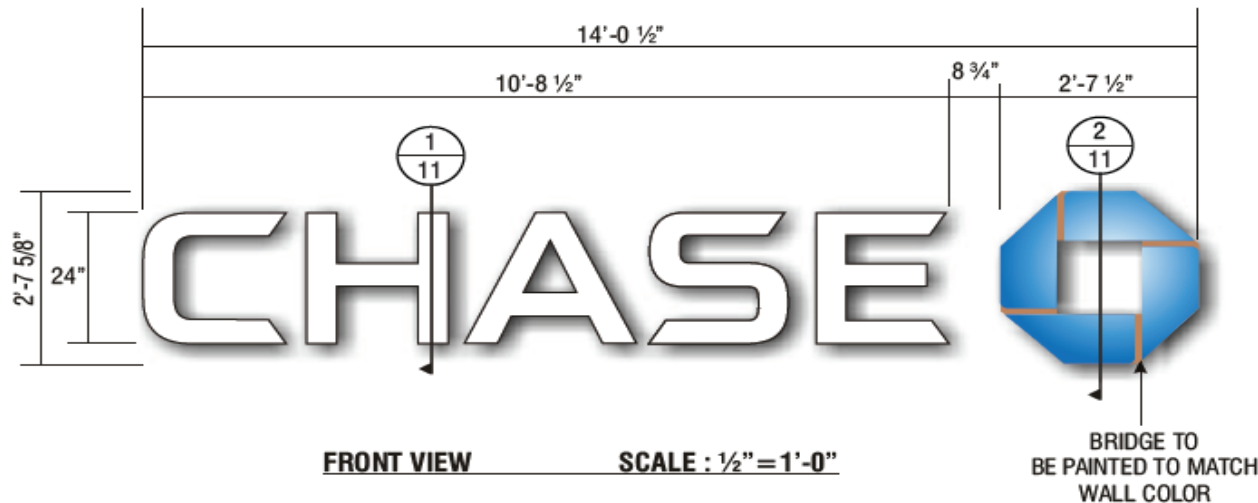
Project ID: CHASE\_38200P319969\_1

Revision: R10 - 10.14.19



**DAMMON**  
ENGINEERING, INC.





**3D VIEW OF OCTAGON**

**ALL EXPOSED FASTENER HEADS SHALL BE PAINTED TO MATCH THE EXTERIOR SURFACE FINISH**

**ELECTRICAL REQUIREMENTS FOR LED ILLUMINATION**  
As required by standard #2161, Signtech Electrical Advertising, Inc., exclusively uses secondary Ground fault-Interrupted (GFI) transformers.  
Each Sign MUST have: - A dedicated branch circuit  
- Three wires : Line, Ground, and Neutral.  
- Wire Size : Min 12 GA THHN Copper Wire.  
**NOTE:** The gauge of the wire is dictated by the length of the run & amperage as per NEC Article 600.  
- The ground wire must be continuous & go from the sign to the panelboard ground bus.

**SIGN TYPE LIF-WB0-24**

**MANUFACTURE AND INSTALL TWO (2) SETS OF ILLUMINATED LETTERS & LOGO w/PLEX FACES & RETURNS**

**LETTERS:**  
**FACE:** .177" ARISTECH #7328 P-95 WHITE PLEX (MATTE SIDE TO BE 1ST SURFACE) CHEM WELDED TO RETURNS  
**RETURNS:** 0.118" x 4" DEEP ARISTECH #6046 BLUE WITH 3635-70 DIFFUSER VINYL ON 2ND (INTERIOR) SURFACE.  
**BACKS:** .080" ALUM BACK WITH 3/4" x .080" OUTSIDE ALUM RETURN AND 1/2" x 1/8" ALUM ANGLE CLIPS ON INTERIOR OF LETTER FOR FACE ATTACHMENT  
**PAINT:** EXTERIOR PAINTED MATTHEWS MP-00366 CHASE BLUE SEMI-GLOSS FINISH (60-70 UNITS) AND INTERIOR PAINTED SPRAY-LAT STAR BRITE WHITE LIGHT ENHANCEMENT PAINT.  
**ILLUMINATION:** SLOAN PRISM 7100K #701269-7WSJ1-MB WHITE LEDs AND SLOAN POWER SUPPLY REQUIRED FOR PROPER EVEN ILLUMINATION.

**LOGO:**  
**BACKS:** .080" ALUM BACK WITH STACK WELDED 4" x .080" ALUM RETURNS.  
**LOGO CAN FACE:** .080" ALUM BRIDGE ELEMENTS WELDED TO INSIDE & OUTSIDE RETURNS  
**PLEX FACE:** .118" THERMO FORMED ARISTECH #6046 BLUE LOGO ELEMENTS CHEM WELDED TO 3/4" CLEAR PLEX 2ND SURFACE FACES.  
**PAINT:** EXTERIOR PAINT MATTHEWS "CHASE NICKEL" #MP-19891 GLOSS FINISH AND INTERIOR PAINTED SPRAY-LAT STAR BRITE WHITE LIGHT ENHANCEMENT PAINT.  
**ILLUMINATION:** SLOAN PRISM #701269-BLSJ1-MB BLUE LEDs AND SLOAN POWER SUPPLY AS REQUIRED FOR PROPER EVEN ILLUMINATION Sign is designed to withstand 130 MPH windload

**Signtech™**  
4444 Federal Blvd. San Diego CA 92102  
Phone: (619) 527-6100 / Fax: (619) 527-6111  
signtech.com



**JP Morgan Chase Bank**  
#38200P319969

Carrollton and Hampson  
637 S. Carrollton Ave.  
New Orleans, LA 70188

Initial Date: 04/29/19  
Salesperson: Arthur Navarro  
Coordinator: Tracey Pichierri  
Designer: bjonas  
Scale: As noted

**CUSTOMER APPROVAL**

Customer Signature \_\_\_\_\_ Date \_\_\_\_\_  
**COPY, COLORS & SIZES**

Signtech does NOT provide primary electrical to sign location - **RESPONSIBILITY OF OTHERS!**

Customer Signature \_\_\_\_\_ Date \_\_\_\_\_

This design is the exclusive property of Signtech and cannot be reproduced in whole or in part, without their prior written approval.

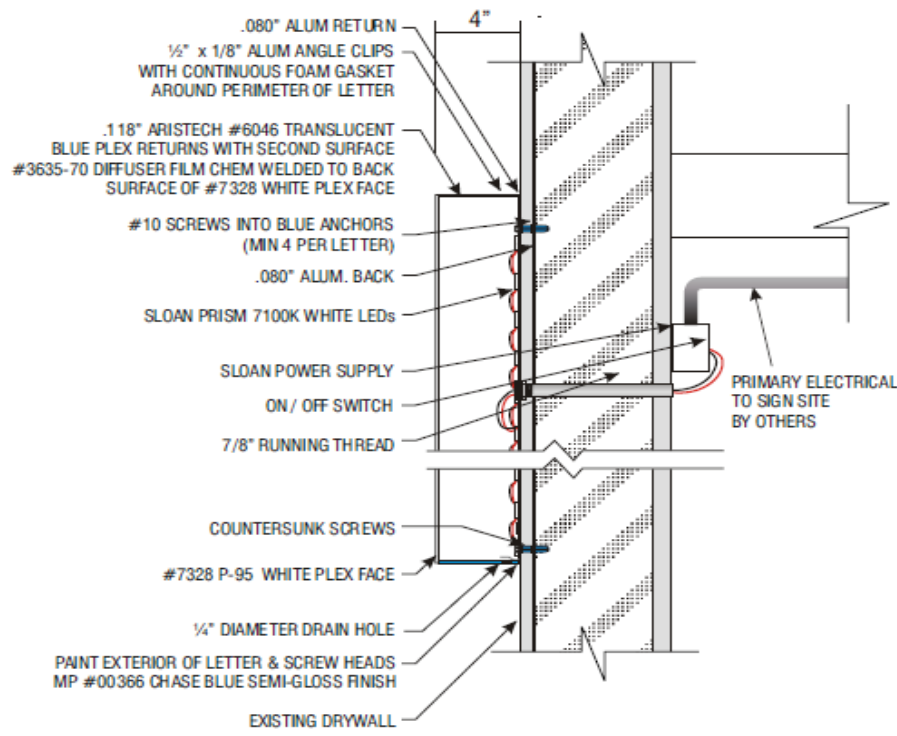
Drawing Number: 19-01009

Project ID: CHASE\_38200P319969\_1

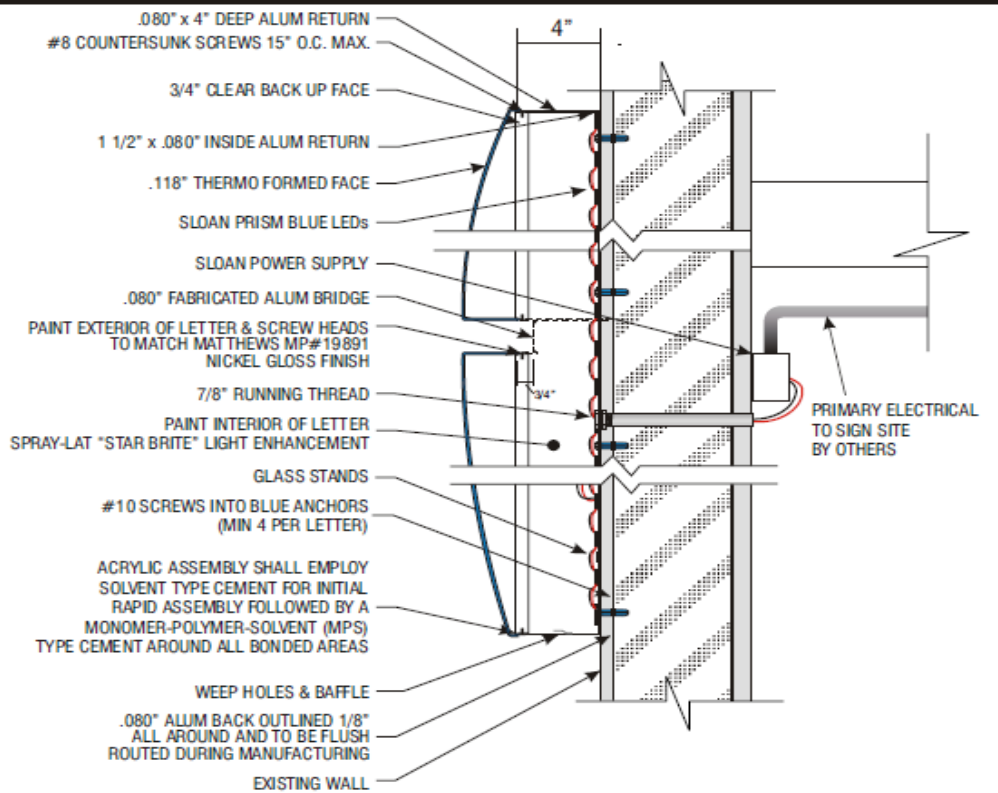
Revision: R10 - 10.14.19



**DAMMON**  
ENGINEERING, INC.  
2015 PINEWOOD DRIVE  
SUITE 100  
HOUSTON, TEXAS 77058  
713.461.1111  
www.dammoneng.com



**1**  
**11** **PLEX LETTER SECTION DETAIL** **SCALE: 1 1/2" = 1'-0"**



**2**  
**11** **LOGO SECTION DETAIL** **SCALE: 1 1/2" = 1'-0"**



**Signtech™**  
 4444 Federal Blvd. San Diego CA 92102  
 Phone: (619) 527-6100 / Fax: (619) 527-6111  
 signtech.com



**JP Morgan Chase Bank**  
**#38200P319969**

Carrollton and Hampson  
 637 S. Carrollton Ave.  
 New Orleans, LA 70188

Initial Date: 04/29/19  
 Salesperson: Arthur Navarro  
 Coordinator: Tracey Pichierri  
 Designer: biones  
 Scale: As noted

**CUSTOMER APPROVAL**

Customer Signature \_\_\_\_\_ Date \_\_\_\_\_  
**COPY, COLORS & SIZES**

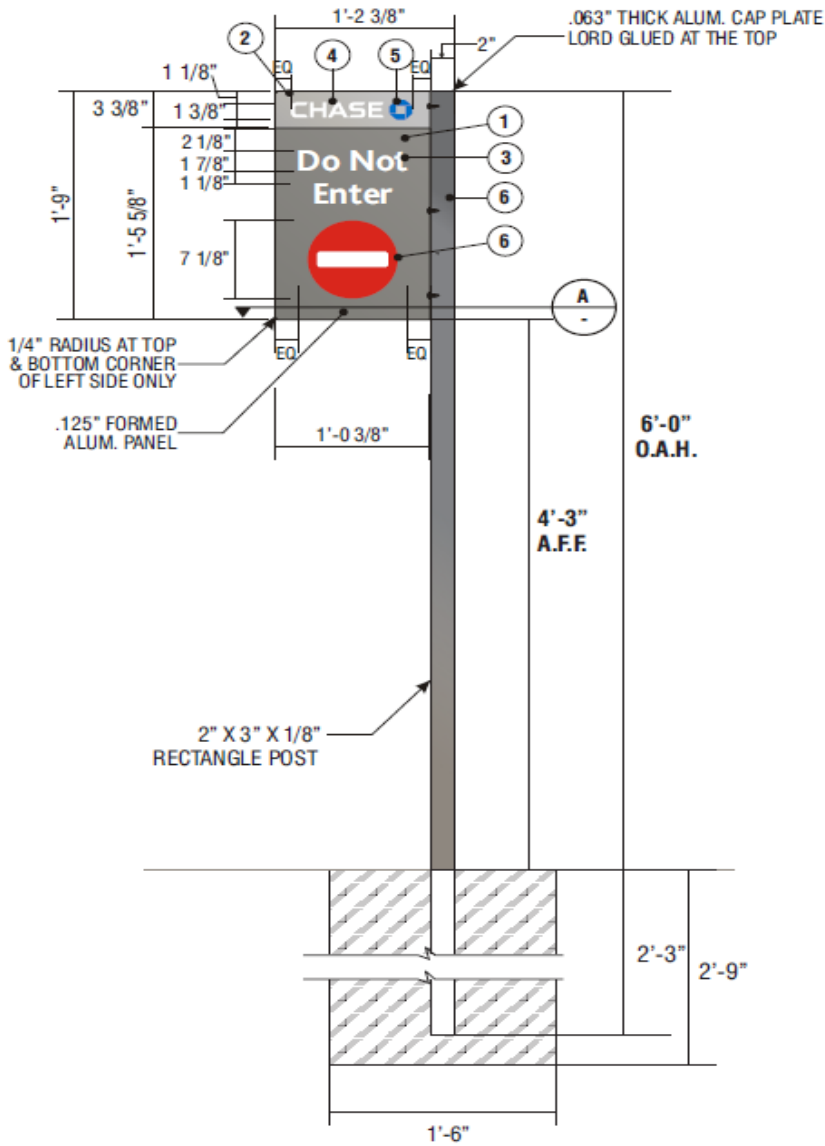
Signtech does NOT provide primary electrical to sign location - **RESPONSIBILITY OF OTHERS!**

Customer Signature \_\_\_\_\_ Date \_\_\_\_\_  
 This design is the exclusive property of Signtech and cannot be reproduced in whole or in part, without their prior written approval.

Drawing Number: 19-01009  
 Project ID: CHASE\_38200P319969\_1  
 Revision: R10 - 10.14.19



**DAMMON**  
 ENGINEERING, INC.



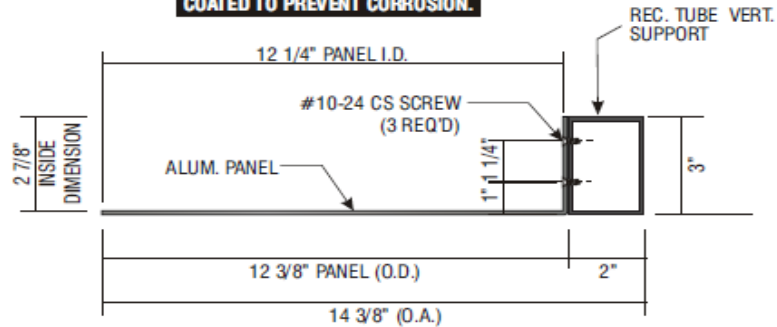
**FRONT VIEW**  
SCALE: 1" = 1'-0"

**SIGN TYPE TC-P-H-RE**

**MANUFACTURE AND INSTALL TWO (2) NON-ILLUMINATED PARKING SIGNS**

1. .125" BRAKE-FORMED ALUMINUM SIGN FACE. PAINT FINISH ALL EXPOSED SURFACES DARK NICKEL MATTHEWS MP #18248, GLOSS FINISH. FORM AS SHOWN.
2. TOP BAND PAINTED TO BE FIRST SURFACE APPLIED 3M #180C-220 LIGHT SILVER METALLIC VINYL.
3. SUPPORT COPY TO BE 3M SCOTCHLITE #680-10 WHITE.
4. "CHASE" TO BE 3M RLM #7725-10 WHITE VINYL.
5. OCTAGON TO BE 3M FILM #3632-127 CHASE BLUE VINYL OVER 3M FILM #7725-10 WHITE VINYL.
6. 2" X 3" X 1/8" X 128" LONG RECTANGLE ALUM. POST W/ .063" THICK ALUM. CAP PLATE @ TOP.
7. FIRST SURFACE DECORATE "DO NOT ENTER" SYMBOL WITH 3M SCOTCHLITE REFLECTIVE FILM #680-72 RED. HORIZONTAL BAR TO BE 3M SCOTCHLITE FILM #680-10 WHITE.

**ALL FASTENERS SHALL BE STAINLESS STEEL OR OTHERWISE COATED TO PREVENT CORROSION.**



**A HORIZONTAL SECTION**  
SCALE: 3" = 1'-0"



**Signtech™**

4444 Federal Blvd. San Diego CA 92102  
Phone: (619) 527-6100 / Fax: (619) 527-6111  
signtech.com



**JP Morgan Chase Bank**  
#38200P319969

Carrollton and Hampson  
637 S. Carrollton Ave.  
New Orleans, LA 70188

Initial Date: 04/29/19  
Salesperson: Arthur Navarro  
Coordinator: Tracey Pichlerri  
Designer: biones  
Scale: As noted

**CUSTOMER APPROVAL**

Customer Signature \_\_\_\_\_ Date \_\_\_\_\_  
**COPY, COLORS & SIZES**

Signtech does NOT provide primary electrical to sign location - **RESPONSIBILITY OF OTHERS!**

Customer Signature \_\_\_\_\_ Date \_\_\_\_\_

This design is the exclusive property of Signtech and cannot be reproduced in whole or in part, without their prior written approval.

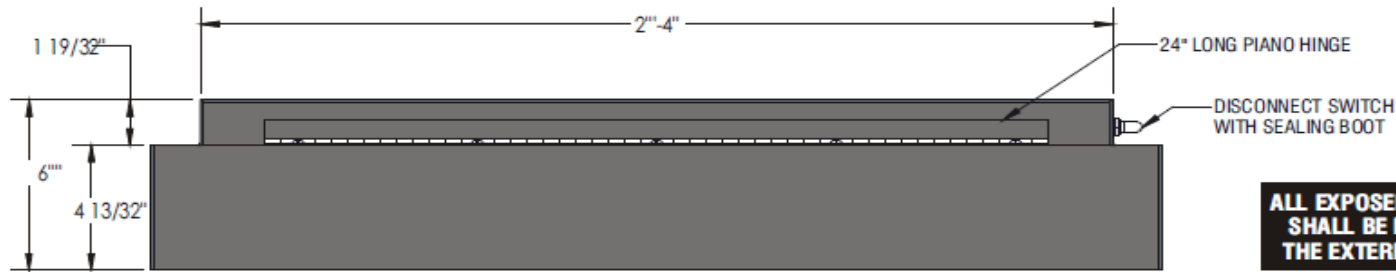
Drawing Number: 19-01009

Project ID: CHASE\_38200P319969\_1

Revision: R10 - 10.14.19

**DAMMON**  
ENGINEERING, INC.

**ADD WEEP HOLES TO THE SIGN**

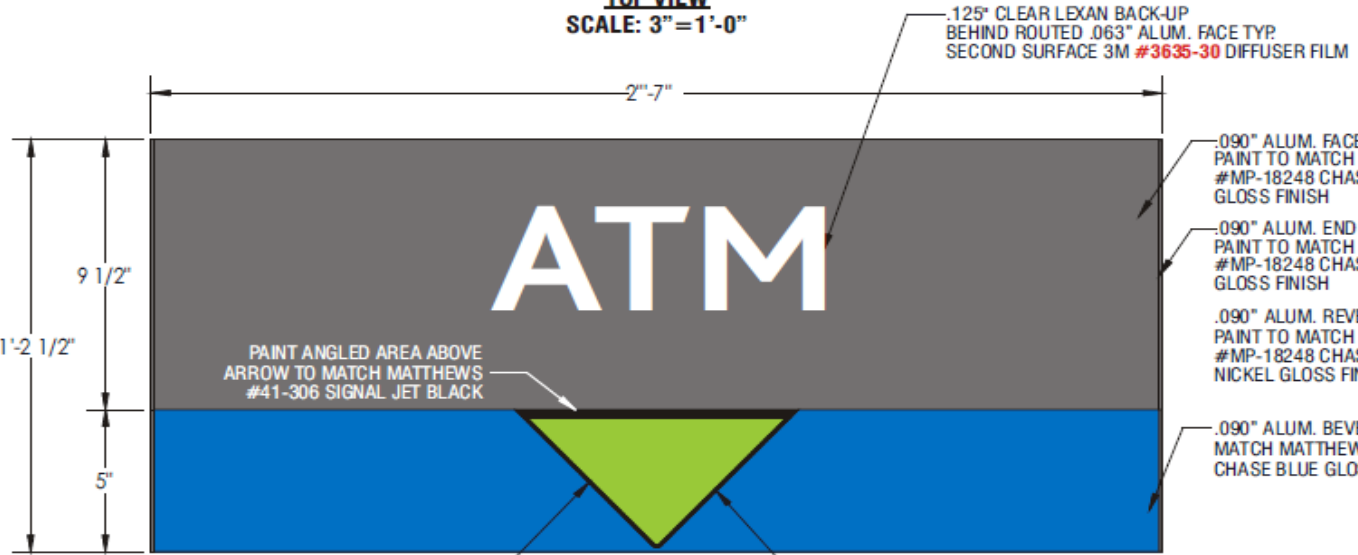


**LANE INDICATOR ILLUMINATION GUIDELINES**  
**WHITE COPY ('ATM'):**  
 ILLUMINATES 24 HOURS A DAY, 7 DAYS A WEEK  
**ARROW:**  
 ILLUMINATES 24 HOURS A DAY, 5 DAYS A WEEK,  
 BRANCH TO SWITCH BETWEEN RED & GREEN  
 AS NECESSARY

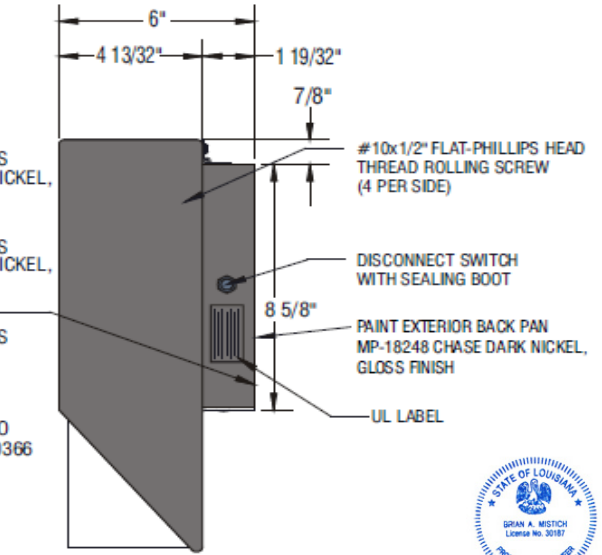
**ALL EXPOSED FASTENERS HEADS SHALL BE PAINTED TO MATCH THE EXTERIOR CABINET FINISH**

**INTERIOR SURFACES SHALL BE PAINTED SPRAYLAT STARBRITE WHITE UNLESS OTHERWISE NOTED**

**TOP VIEW**  
SCALE: 3" = 1'-0"



**FRONT VIEW**  
SCALE: 3" = 1'-0"



**END VIEW**  
SCALE: 3" = 1'-0"

**.125" #2046 OPTIX LD WHITE PIGMENTED ACRYLIC LENS w/ FIRST SURFACE 3M #3635-222 BLACK PERFORATED VINYL**

**ALL EXPOSED PAINTED SURFACES SHALL BE COATED WITH MATTHEWS #282-208SP VOC GLOSS CLEAR, WITH MINIMUM 2 MILS DRY FILM THICKNESS (DFT) PER MATTHEWS APPLICATION SPECIFICATIONS.**

.090" ALUM. ARROW HOUSING PAINTED TO MATCH MATTHEWS #MP-18248 CHASE DARK NICKEL GLOSS FINISH ON THE OUTSIDE AND MATTHEWS #MP-41-306 SIGNAL JET BLACK INSIDE -OR- DECORATED WITH 3M 3630-22 BLACK VINYL WITH A TOP COAT OF MATTHEWS #282-208SP VOC GLOSS CLEAR

**SIGN TYPE DU-C**

**MANUFACTURE & INSTALL TWO (2) INTERNALLY-ILLUMINATED WALL SIGNS w/ ROUT-OUT FACES**

- NOTES:**
- Design is based on 90 mph 3 sec gust design wind speed per IBC 2006. Exposure C. Refer to structural drawings.
  - Aluminum shapes be extruded from 6061-T6 alloy. Aluminum sheet shall be 3003-H14 alloy. Aluminum plate shall be 5052-H34 alloy.
  - Structural bolts shall be zinc coated A325 unless otherwise noted. All other fasteners shall be stainless steel or otherwise coated to prevent corrosion.
  - Welds shall be made a 4000 series for aluminum by persons qualified in accordance with AWS standards within the past two years.
  - This design is prototypical and should not be used for site specific applications unless deemed suitable by a competent Professional Engineer.



**Signtech™**  
 4444 Federal Blvd. San Diego CA 92102  
 Phone: (619) 527-6100 / Fax: (619) 527-6111  
 signtech.com



**JP Morgan Chase Bank**  
**#38200P319969**

Carrollton and Hampson  
 637 S. Carrollton Ave.  
 New Orleans, LA 70188

Initial Date: 04/29/19  
 Salesperson: Arthur Navarro  
 Coordinator: Tracey Pichlerri  
 Designer: biones  
 Scale: As noted

**CUSTOMER APPROVAL**

Customer Signature \_\_\_\_\_ Date \_\_\_\_\_  
**COPY, COLORS & SIZES**

Signtech does NOT provide primary electrical to sign location -  
**RESPONSIBILITY OF OTHERS!**

Customer Signature \_\_\_\_\_ Date \_\_\_\_\_  
 This design is the exclusive property of Signtech and cannot be reproduced in whole or in part, without their prior written approval.

Drawing Number: 19-01009

Project ID: CHASE\_38200P319969\_1

Revision: R10 - 10.14.19

**DAMMON**  
 ENGINEERING INC.

