



**#3207**  
**4756 Florida Blvd**  
**Baton Rouge, LA 70806**





	SQUARE FEET
<b>SIGN 1</b> ExtraSpace Storage.	61.3
Climate Controlled We Sell Boxes	41.2
<b>SIGN 2</b> ExtraSpace Storage	139
<b>SIGN 3</b> ExtraSpaceStorage	11
<b>SIGN 4</b> OFFICE	2



Address #3207  
4756 Florida Blvd

City Baton Rouge  
State LA  
70806

Program:  
Life Storage - Extra Space

This design and engineering is submitted as our proposal, and the right to use or exhibit in any form, is not authorized without written permission by Vixxo.

Notes  
+  
+  
+  
+  
+

Designer AM  
Design # Vx1106503  
Original Date 09/17/24  
Revision Date :

All electrical scope to be completed in a UL approved method and shall meet current N.E.C. standards.



\* All electrical components shall be U.L. listed.  
\* Sign shall be grounded per N.E.C. Article 250.  
\* Insulated conductors as per N.E.C. Code 310.8 type to be used - metallic insulated seekRite.  
\* Disconnect switch as per N.E.C. Code 600.5.



sign & lighting

The purchaser agrees to hold the seller harmless against any cause for action for damages which may occur as a result of drilling for pipes and foundations, including but not limited to sewer, gas lines or any underground obstacles which the purchaser or others may deem not visible.

## ELEVATION

**SIGN**  
1

### SCOPE OF WORK:

Remove & dispose of (4) four existing sign faces.  
Manufacture & install (4) four new sign faces.  
Paint existing cabinet SW7067 Cityscape.  
Paint existing pole SW7067 Cityscape.  
Provide, install and program (1) Intermatic ET8015C digital timer.

### PROPOSED



### EXISTING



### Top Cabinet:

8'-0"H x 12'-1"L

### Retainers:

1 1/2" x 4"

### Bottom Cabinet:

3'-0"H x 12'-1"L

### Retainers:

1 1/2" x 4"

### OAH:

37'

*Flex Faces*

**DAMMON**  
SIGN & LIGHTING

**ExtraSpace  
Storage.**

Address #3207  
4756 Florida Blvd

City Baton Rouge  
State LA  
70806

Program:  
**Life Storage - Extra Space**

This design and engineering is submitted as our proposal, and the right to use or exhibit in any form, is not authorized without written permission by Vixxo.

### Notes

\*  
\*  
\*  
\*  
\*

Designer AM  
Design # Vx1 106503  
Original Date 09/17/24  
Revision Date :

All electrical scope to be completed in a UL approved method and shall meet current N.E.C. standards



\* All electrical components shall be U.L. listed.  
\* Sign shall be grounded per N.E.C. Article 250.  
\* Insulated conductors as per N.E.C. Code 310.8.  
\* Type to be used - metallic insulated seekRk.  
\* Disconnect switch as per N.E.C. Code 600.5.

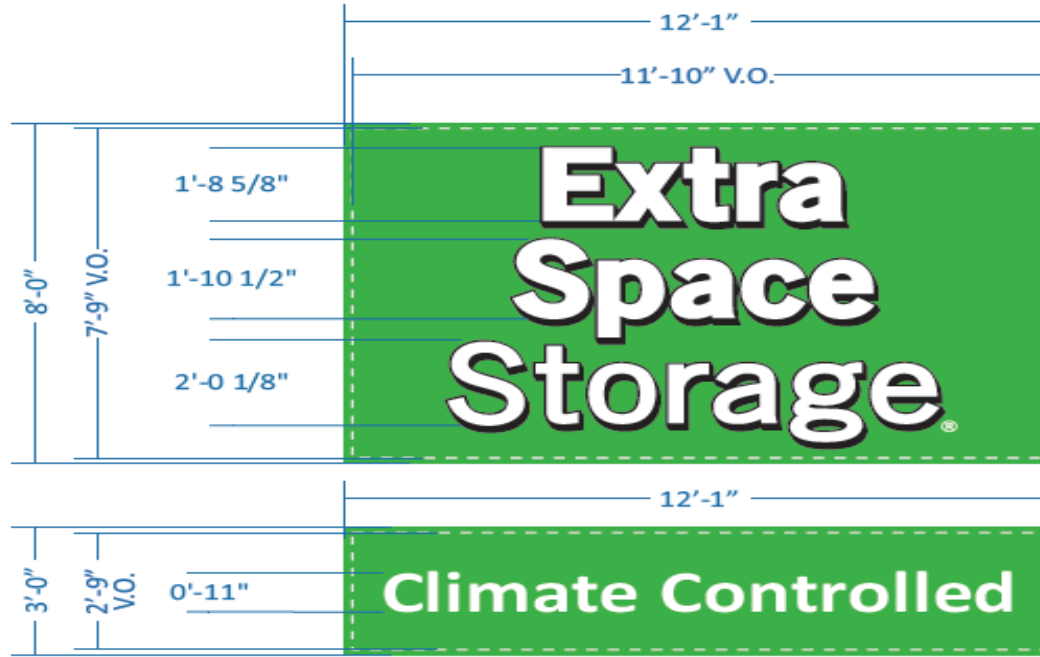


sign & lighting

page 3

The purchaser agrees to hold the seller harmless against any cause for action for damages which may occur as a result of drilling for pipes and foundations, including but not limited to sewer, gas lines or any underground obstacles which the purchaser or others may deem suitable.

**SIGN**  
1



Quantity: 2 Faces Each Cabinet  
Cabinet Depth: 25"

**ExtraSpace  
Storage.**

Address #3207  
4756 Florida Blvd  
City Baton Rouge  
State LA  
70806

Program:  
Life Storage - Extra Space

This design and engineering is submitted as our proposal, and the right to use or exhibit in any form, is not authorized without written permission by Vixxo.

Notes  
\*  
\*  
\*  
\*  
\*

Designer AM  
Design # Vx1106503  
Original Date 09/17/24  
Revision Date :

All electrical scope to be completed in a UL approved method and shall meet current N.E.C. standards



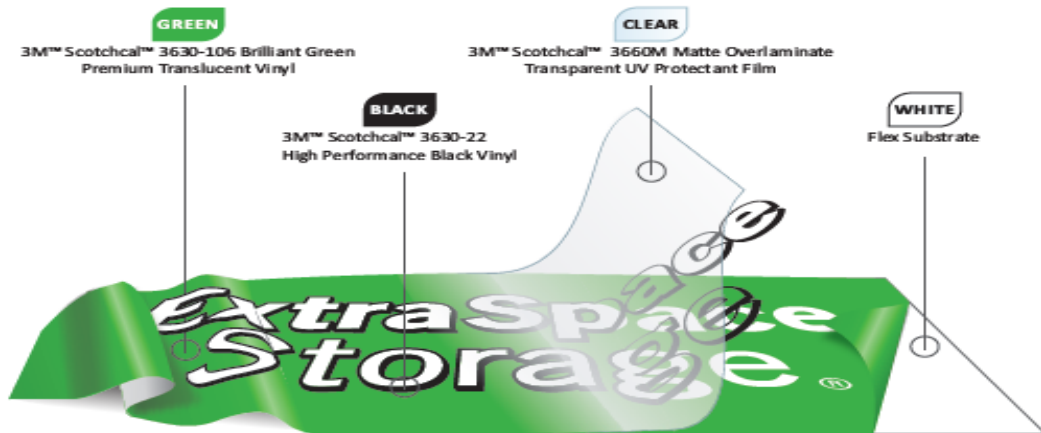
\* All electrical components shall be U.L. listed.  
\* Sign shall be grounded per N.E.C. Article 250.  
\* Insulated conductors as per N.E.C. Code 310.8 type to be used - metallic insulated wires.  
\* Disconnect switch as per N.E.C. Code 600.5.



sign & lighting

The purchaser agrees to hold the seller harmless against any cause for action for damages which may occur as a result of drilling for pipes and foundations, including but not limited to sewer, gas lines or any underground obstacles which the purchaser or others may deem suitable.

Flex Face Specifications



## ELEVATION



### SCOPE OF WORK:

- Remove & dispose of existing sign.
- Manufacture & install new channel letters.
- Connect to existing electrical.
- Provide, install and program (1) Intermatic ET8015C digital timer.
- Patch holes. Paint immediate area of previous sign.
- Repair damaged stucco finish.
- Sherwin Williams SW 2850

### PROPOSED



### EXISTING



Address #3207  
4756 Florida Blvd

City Baton Rouge  
State LA  
70806

Program:  
Life Storage - Extra Space

This design and engineering is submitted as our proposal, and the right to use or exhibit in any form, is not authorized without written permission by Vixxo.

### Notes

- +
- +
- +
- +
- +

Designer AM  
Design # Vx1106503  
Original Date 09/17/24  
Revision Date :

All electrical work to be completed in a U.L. approved method and shall meet current N.E.C. standards.

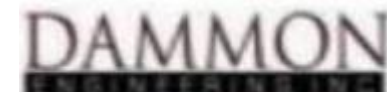


- \* All electrical components shall be U.L. listed.
- \* Sign shall be grounded per N.E.C. Article 250.
- \* Insulated conductors as per N.E.C. Code 310.4 type to be used - metallic insulated seek R.R.
- \* Disconnect switch as per N.E.C. Code 600.5.



sign & lighting

page 5



The purchaser agrees to hold the seller harmless against any cause for action for damages which may occur as a result of drilling for pipes and foundations, including but not limited to sewer, gas lines or any underground obstacles which the purchaser or others may deem not visible.

# Raceway Mount Channel Letters



Name	A	B	C	D	E	SQUARE FEET
ESS.GBR.WK.CL.STK.36	3'-0"	7'-3"	3'-0 7/8"	19'-1"	12'-7 1/8"	139

**CLEAR**  
3M™ Scotchcal™ 3660M Matte Overlaminate  
Transparent UV Protectant Film

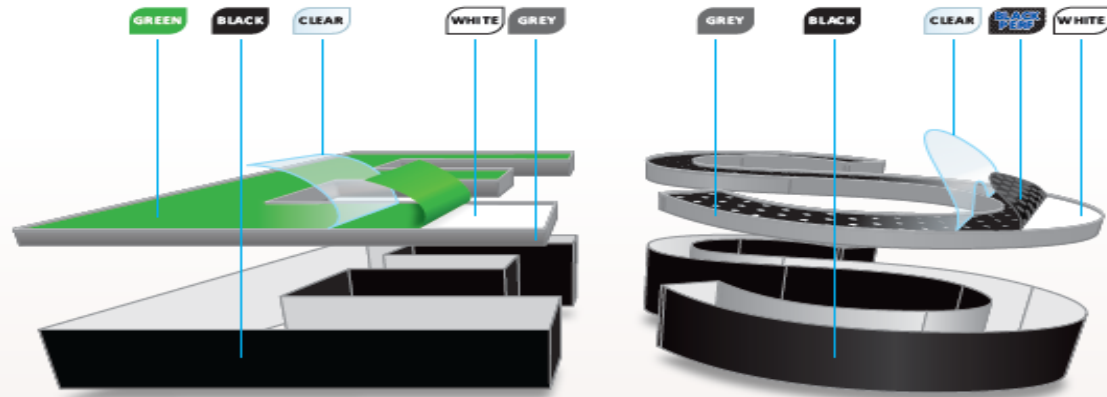
**GREEN**  
3M™ Scotchcal™ -  
3630-106 Brilliant Green -  
Translucent Vinyl

**BLACK**  
3M™ 3635 Dual-Color Film Black  
3M™ Scotchcal™ 3660M Matte-

**WHITE**  
3/16" White  
Acrylic

**BLACK**  
Black Pre-painted Coil

**GREY**  
Dove Grey  
Trimcap



Electrical Notes: All electrical components to be UL approved Customer is responsible for one (1) 120v/20a dedicated circuit with ground per sign within 6' of sign Lock out switch installed at panel box for all electrical signs Install in accordance with N.E.C. article 600 and/or local codes. This includes proper grounding and bonding of signs



Address #3207  
4756 Florida Blvd  
City Baton Rouge  
State LA  
70806

Program:  
Life Storage - Extra Space

This design and engineering is submitted as our proposal, and the right to use or exhibit in any form, is not authorized without written permission by Vixxo.

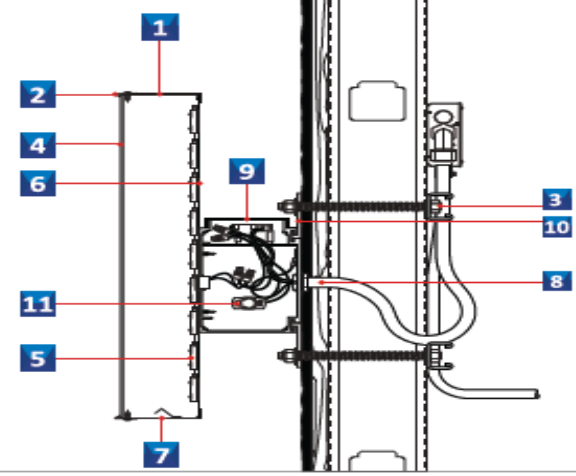
Notes  
+  
+  
+  
+  
+

Designer AM  
Design # Vx1106503  
Original Date 09/17/24  
Revision Date :

## Specifications

- 1 5" FABRICATED ALUMINUM LETTER RETURNS PRE-PAINTED BLACK
- 2 TRIM CAP RETAINER - 1" DOVE GREY
- 3 GALVANIZED, NON-CORROSIVE INSTALLATION HARDWARE:
- 4 3/16" ACRYLIC FACE WHITE WITH 1ST SURFACE VINYL
- 5 USLED - WHITE LED
- 6 0.63" FLAT ALUMINUM BACK
- 7 1/8" WEEP HOLES (2) TWO PER LETTER WITH LIGHT BAFFLES.
- 8 GROUNDED WALL PASS-THRU SEALED WATER TIGHT.
- 9 LOW VOLTAGE POWER SUPPLY MOUNTED IN A 7" X 7" EXTRUDED ALUMINUM RACEWAY SUPPORT/WIRING BOX PAINTED TO MATCH FASCIA **SHERWIN WILLIAMS 'SW 2850'**
- 10 1/2" THICK METAL FLAT BAR FOR A SECURE INSTALLATION
- 11 WATERPROOF DISCONNECT SWITCH PER NEC 600-2

## Section



## Manufacturing Notes

CHANNEL LETTER SETS SMALLER THAN 48" WILL BE CONSTRUCTED USING .040 ALUMINUM RETURNS & .063 ALUMINUM BACKS

CHANNEL LETTER SETS 48"-71" WILL BE CONSTRUCTED USING .063 ALUMINUM RETURNS & .090 ALUMINUM BACKS

REGISTRATION MARK TO BE BLACK VINYL ON CLEAR ACRYLIC TAB ATTACHED TO BACK OF "e" CHANNEL LETTER.



All electricals to be completed in a U.L. approved method and shall meet current N.E.C. standards.



\* All electrical components shall be U.L. listed.  
\* Sign shall be grounded per N.E.C. Article 250.  
\* Insulated conductors as per N.E.C. Code 310.8 type to be used - metallic insulated shall be.  
\* Disconnect switch as per N.E.C. Code 600.5.



sign & lighting

The purchaser agrees to hold the seller harmless against any cause for action for damages which may occur as a result of drilling for pipes and foundations, including but not limited to sewer, gas lines or any underground obstacles which the purchaser or others may deem not liable.

## ELEVATION

**SIGN**  
3

### SCOPE OF WORK:

Remove & dispose of existing sign.  
Manufacture & install new channel letters.  
Connect to existing electrical.  
Provide, install and program (1) Intermatic ET8015C digital timer.  
Patch holes.  
Sherwin Williams SW 9092

**SIGN**  
4

### SCOPE OF WORK:

Manufacture & install new office sign.  
Connect to existing electrical.  
Provide, install and program (1) Intermatic ET8015C digital timer.

## EXISTING



**ExtraSpace  
Storage.**

Address #3207  
4756 Florida Blvd  
City Baton Rouge  
State LA  
70806

Program:  
**Life Storage - Extra Space**

This design and engineering is submitted as our proposal, and the right to use or exhibit in any form, is not authorized without written permission by Vixxo.

### Notes

+  
+  
+  
+  
+

Designer AM  
Design # Vx1106503  
Original Date 09/17/24  
Revision Date :

All electrical scope to be completed in a UL approved method and shall meet current N.E.C. standards.

   
\* All electrical components shall be U.L. listed.  
\* Sign shall be grounded per N.E.C. Article 250.  
\* Insulated conductors as per N.E.C. Code 310.5 type to be used - metallic insulated wire.  
\* Disconnect switch as per N.E.C. Code 600.5.



sign & lighting

page 7

The purchaser agrees to hold the seller harmless against any cause for action for damages which may occur as a result of drilling for gas and steam detection, including but not limited to sewer, gas lines or any underground obstacles which the purchaser or others may deem valuable.

## PROPOSED



**DAMMON**  
ENGINEERING

# Raceway Mount Channel Letters



**CLEAR**  
3M™ Scotchcal™ 3660M Matte Overlaminate  
Transparent UV Protectant Film

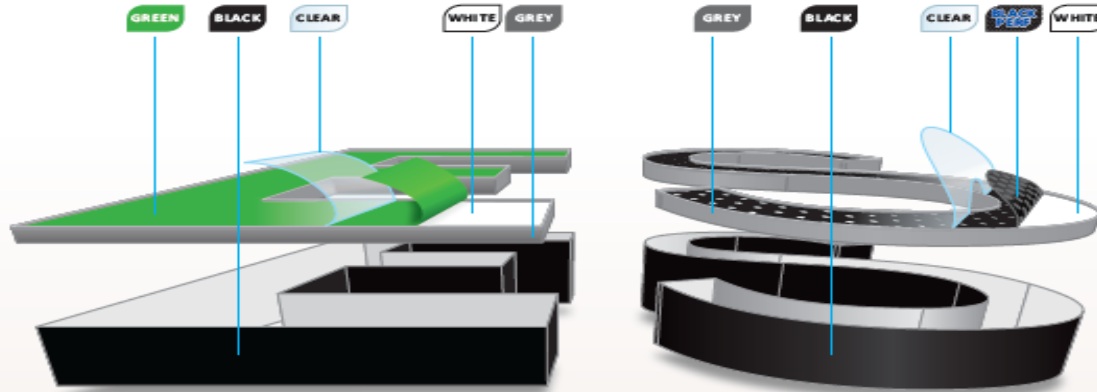
**GREEN**  
3M™ Scotchcal™ -  
3630-106 Brilliant Green -  
Translucent Vinyl

**BLACK**  
3M™ 3635 Dual-Color Film Black  
3M™ Scotchcal™ 3660M Matte-

**WHITE**  
3/16" White  
Acrylic

**BLACK**  
Black Pre-painted Coil

**GREY**  
Dove Grey  
Trimcap



Name	A	B	SQUARE FEET
ESSGBRWGLIN12	1'-0"	10'-7 3/4"	11

**ExtraSpace Storage.**

Address #3207  
4756 Florida Blvd  
City Baton Rouge  
State LA  
70806

Program:  
**Life Storage - Extra Space**

This design and engineering is submitted as our proposal, and the right to use or exhibit in any form, is not authorized without written permission by Vixxo.

**Notes**

- +
- +
- +
- +
- +

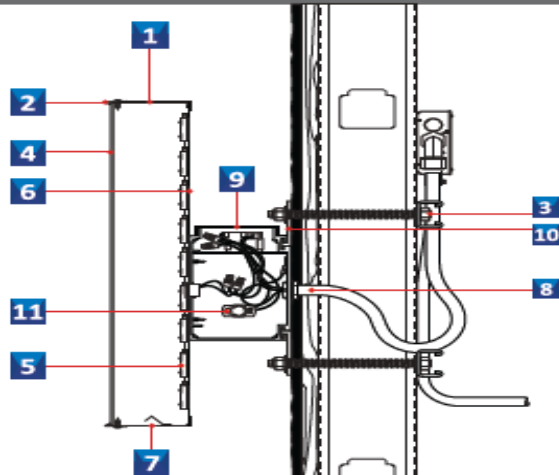
Designer AM  
Design # Vx1106503  
Original Date 09/17/24  
Revision Date :

Electrical Notes: All electrical components to be UL approved Customer is responsible for one (1) 120v/20a dedicated circuit with ground per sign within 6' of sign Lock out switch installed at panel box for all electrical signs Install in accordance with N.E.C. article 600 and/or local codes. This includes proper grounding and bonding of signs

## Specifications

- 1 5" FABRICATED ALUMINUM LETTER RETURNS PRE-PAINTED BLACK
- 2 TRIM CAP RETAINER - 1" DOVE GREY
- 3 GALVANIZED, NON-CORROSIVE INSTALLATION HARDWARE:
- 4 3/16" ACRYLIC FACE WHITE WITH 1ST SURFACE VINYL
- 5 USLED - WHITE LED
- 6 0.63" FLAT ALUMINUM BACK
- 7 ¼" WEEP HOLES (2) TWO PER LETTER WITH LIGHT BAFFLES.
- 8 GROUNDED WALL PASS-THRU SEALED WATER TIGHT.
- 9 LOW VOLTAGE POWER SUPPLY MOUNTED IN A 7" X 7" EXTRUDED ALUMINUM RACEWAY SUPPORT/WIRING BOX PAINTED TO MATCH FASCIA **SHERWIN WILLIAMS 'SW 9092'**
- 10 ¼" THICK METAL FLAT BAR FOR A SECURE INSTALLATION
- 11 WATERPROOF DISCONNECT SWITCH PER NEC 600-6

## Section



## Manufacturing Notes

CHANNEL LETTER SETS SMALLER THAN 48" WILL BE CONSTRUCTED USING .040 ALUMINUM RETURNS & .063 ALUMINUM BACKS

CHANNEL LETTER SETS 48"-71" WILL BE CONSTRUCTED USING .063 ALUMINUM RETURNS & .090 ALUMINUM BACKS

REGISTRATION MARK TO BE BLACK VINYL ON CLEAR ACRYLIC TAB ATTACHED TO BACK OF "e" CHANNEL LETTER.



All electrical scope to be completed in a UL approved method and shall meet current N.E.C. standards

- 
- \* All electrical components shall be U.L. listed.
- \* Sign shall be grounded per N.E.C. Article 250.
- \* Insulated conductors as per N.E.C. Code 310.8 type to be used - metallic insulated wire.
- \* Disconnect switch as per N.E.C. Code 600.6.



sign & lighting

page 8



The purchaser agrees to hold the seller harmless against any cause for action for damages which may occur as a result of drilling for pipes and conduits, including but not limited to sewer, gas lines or any underground obstacles which the purchaser or others may deem suitable.

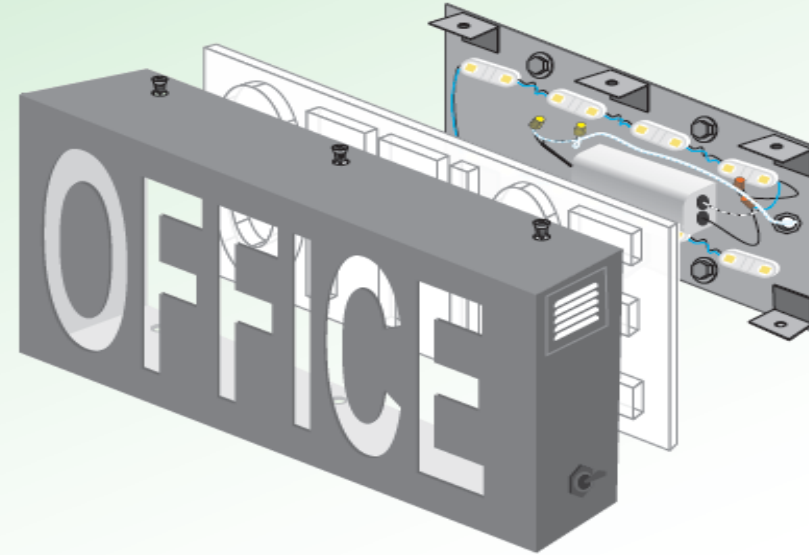
## Office Wall Sign

Scale 1"=1'

Dismantled Detail

SIGN  
4

2 sq/ft



**ExtraSpace  
Storage.**

Address #3207  
4756 Florida Blvd  
City Baton Rouge  
State LA  
70806

Program:  
**Life Storage - Extra Space**

This design and engineering is submitted as our proposal, and the right to use or exhibit in any form, is not authorized without written permission by Vixxo.

### Notes

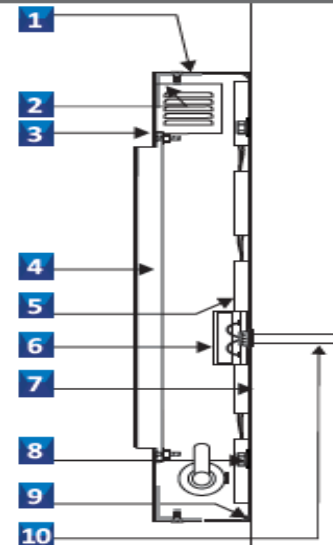
- 
- 
- 
- 
- 

## Specifications

- 1 .063" - 3" DEEP FABRICATED ALUMINUM CABINET PAINTED SW7067 CITY SCAPE
- 2 COUNTERSUNK SCREW / INTERNAL CLIP ATTACHMENT
- 3 .063" THICK ROUTED ALUMINUM PLATE FACE
- 4 1/4" WHITE ACRYLIC, POCKET ROUTED FOR 3/8" PUSH THROUGH VISIBLE
- 5 WHITE CLIENT APPROVED LED
- 6 LOW VOLTAGE ELECTRONIC TRANSFORMER
- 7 .063" ALUMINUM BACK
- 8 3/8" THREADED RIVETS INSERTED FOR INSTALLATION
- 9 SILICONE SEAL ALL INTERIOR SEAMS
- 10 GROUNDED WALL PASS-THRU SEALED WATER TIGHT

Electrical Notes: All electrical components to be UL approved Customer is responsible for one (1) 120v/20a dedicated circuit with ground per sign within 6' of sign Lock out switch installed at panel box for all electrical signs Install in accordance with N.E.C. article 600 and/or local codes. This includes proper grounding and bonding of signs

## Section



**DAMMON**  
SIGN & LIGHTING

Designer AM  
Design # Vx1106503  
Original Date 09/17/24  
Revision Date :

All electrical scope to be completed in a UL approved method and shall meet current N.E.C. standards

- All electrical components shall be U.L. listed.
- Sign shall be grounded per N.E.C. Article 250.
- Insulated conductors as per N.E.C. Code 310.8 type to be used - metallic insulated sheath.
- Disconnect switch as per N.E.C. Code 600.5.

**VIXXO**

sign & lighting

page 9

The purchaser agrees to hold the seller harmless against any cause for action for damages which may occur as a result of drilling for pipes and conduits, including but not limited to sewer, gas lines or any underground obstacles which the purchaser or others may deem visible.