



SS SIGN SCHEDULE

- A** CHANNEL LETTERS | QTY. (1)
- B** WALL SIGN | QTY. (1)
- C** TENANT PANELS | QTY. (2)
- D** TENANT PANELS | QTY. (2)

GENERAL NOTES

- INSTALLER SHALL VERIFY WALL CONDITIONS IN THE FIELD
- TYPE, SIZE & QUANTITY OF FASTENERS TO BE DETERMINED
- ALL BOLT HOLES TO BE DRILLED OR PUNCHED
- ISOLATE ALL ALUMINUM FROM STEEL

<p>NEW & REMODEL CONSTRUCTION ADEQUATE BEHIND THE WALL BACKING AND ACCESS IS REQUIRED FOR THE INSTALLATION OF NEW SIGNAGE. CUSTOMER TO FORWARD APPROVED SIGNAGE DRAWINGS TO THE ON SITE CONTACT TO INSURE THAT THE REQUIRED PROVISIONS ARE MADE DURING CONSTRUCTION, PRIOR TO THE SIGN INSTALLATION.</p> <p>INSTALLER REQUIREMENTS FOR EPS WALLS IT IS THE RESPONSIBILITY OF THE INSTALLATION CONTRACTOR TO PROVIDE ANY WALL SPACERS REQUIRED TO KEEP EPS WALL MATERIAL FROM BEING COMPRESSED DURING INSTALLATION OF ANY MOUNTING BELTS REQUIRED FOR SIGNAGE.</p>	<p>INSTALLER REQUIREMENTS ALL INSTALLATION (MOUNTINGS, HARDWARE AND SECONDARY WIRING COMPONENTS, CONDUIT & CONNECTORS, ETC.) ARE TO BE PROVIDED BY THE INSTALLATION CONTRACTOR.</p> <p>ALL WALL PENETRATIONS TO BE SEALED WITH SILICONE TO HELP PREVENT MOISTURE PENETRATION @ EXTERIOR LOCATIONS.</p> <p>ANY DEVIATION FROM VISION SIGN GROUP REQUIREMENTS MAY RESULT IN DAMAGE TO OR IMPROPER OPERATION OF SIGNAGE, CAUSING DELAYS AND ADDITIONAL COSTS.</p>	<p>CUSTOMER TO PROVIDE DEDICATED BRANCH CIRCUITS FOR SIGNS ONLY PER NEC CODE 406.5.</p> <p>ALL BRANCH CIRCUITS FOR SIGNS MUST BE TOTALLY DEDICATED TO SIGNS (INCLUDING DEDICATED GROUND & NEUTRAL PER CIRCUIT) AND SHALL NOT BE SHARED WITH OTHER LOADS (SUCH AS LIGHTING, A/C AND OTHER EQUIPMENT). PROPERLY SIZED CIRCUITS MUST BE INSTALLED TO THE SIGNAGE PANELS REQUIRED.</p> <p>NUMBER AND USE OF CIRCUITS FOR EACH SIGN MUST MEET VISION SIGN GROUP REQUIREMENTS.</p>
---	---	--

<p>ALL ELECTRICAL SIGNS SHALL CONFORM TO THE REQUIREMENTS OF ARTICLE 600 OF THE N.E.C. AND U.L. AS ALONG WITH OTHER APPLICABLE STATE & LOCAL CODE REQUIREMENTS. THIS INCLUDES PROPER GROUNDING AND BONDING OF THE SIGN</p>	<p>120V - 20 AMP (PRIMARY ELECTRICAL SERVICE) CIRCUITS AND FINAL CONNECTION TO EACH SIGN, TO WITHIN 6 FT TO BE BY THE CUSTOMER'S CERTIFIED ELECTRICIAN. NUMBER AND SIZE OF CIRCUITS FOR EACH SIGN TO MEET VISION SIGN GROUP REQUIREMENTS</p>
--	--

WARRANTY NOTICE

CERAMIC ELECTRICAL COMPONENTS OF SIGNS WILL FAIL PREMATURELY IF NOT SHUT OFF FOR A PERIOD OF TIME. SINCE EACH DAY FOR BEST PERFORMANCE WE RECOMMEND THAT SIGNS BE CONNECTED TO AN AUTOMATIC CONTROLLING DEVICE SUCH AS AN EMERGENCY MANAGEMENT SYSTEM, TIME CLOCK OR PHOTO CELLS TO CONTROL THE DAILY SHUT-OFF PERIOD. FAILURE TO FOLLOW THESE RECOMMENDATIONS CAN CAUSE DAMAGE TO ELECTRICAL COMPONENTS OF THE SIGN AND VOID THE WARRANTY. SOME DAMAGED DEVICES WILL ADVERSELY AFFECT THE ELECTRICAL COMPONENTS OF THE SIGN IF IT IS ATTACHED TO, CAUSING FAILURE. ANY DIMMING OF THE SIGN WITHOUT CONSULTATION WITH VISION SIGN GROUP WILL VOID THE WARRANTY.

SP SITE PLAN

SCALE: NOT TO EXACT SCALE



This artwork is an original design solely for the purposes of presentation. Approval shown in this document is given by Vision Sign Group, a division of Vision Custom Signs LLC. No copies, reproduction, unauthorized use or reproduction of any kind can be made without written consent from Vision Sign Group. Customer signatures for approval indicates that all sizes, colors, spelling and specifications are accurate as represented and customer accepts all liability and cost involved if any of the information in this document becomes incorrect or invalid. Once signed, this document is legally binding in combination with any estimates and/or proposals presented for work involved with the project illustrated on this design element. Any changes requested or requested to be made to the Vision Sign Group and agreed upon by all parties to include any cost associated. Changes made after the design intent has been approved may result in additional cost to client. Client agrees to pay and release under costs associated with modifications requested and/or made by client after approval has been granted.

Partner:

Project #: 6352
Location / Address:
Hibbett
(Caffery Center)
4510 Ambassador Caffery Parkway
Suite H
Lafayette, LA 70508

Color & Materials:

#1 - Initial / DR / 12-17-24
#2 - Rev. / BG / 01-08-25

Date: 1/08/2024	Sheet No: 1	Account Rep: KEVIN AGOSTINHO
Client Partner Approval:		
Date: _____		

PLEASE CHECK ALL SPELLING, QUANTITIES, COLORS, AND MATERIALS BEFORE APPROVING



EXISTING
SCALE: NOT TO EXACT SCALE



PROPOSED (MAY NOT BE TO EXACT SCALE)
SCALE: 1/8" = 1'-0"

A CHANNEL LETTERS

QTY (1) 79.31 SQ FT

SCOPE OF WORK:
QTY. (1) SET OF HALO-LIT CHANNEL LETTERS
QTY (1) FACE/HALO-LIT CHANNEL LOGO
MOUNTED ON BACKER WITH RACEWAY



This document is an original design sketch for the purpose of presentation. All work shown in this document is owned by Vision Sign Group, a division of Vision Custom Signs LLC. No copies, reprints, modifications, alterations or reproductions of any kind can be made without written consent from Vision Sign Group. Customer signatures for approval indicate that all sizes, colors, spelling and specifications are accurate as represented and customer accepts all liability and cost involved if any of the information in this document becomes incorrect or outdated. Once signed, this document is legally binding in conjunction with any sketches and/or proposed presentation for costs involved with the project illustrated on this design element. Any changes required or requested must be presented to Vision Sign Group and agreed upon by all parties to include any cost associated. Changes made after the design intent has been approved may result in additional cost to client. Client agrees to pay and place order costs associated with modifications requested and/or made by client after approval has been granted.

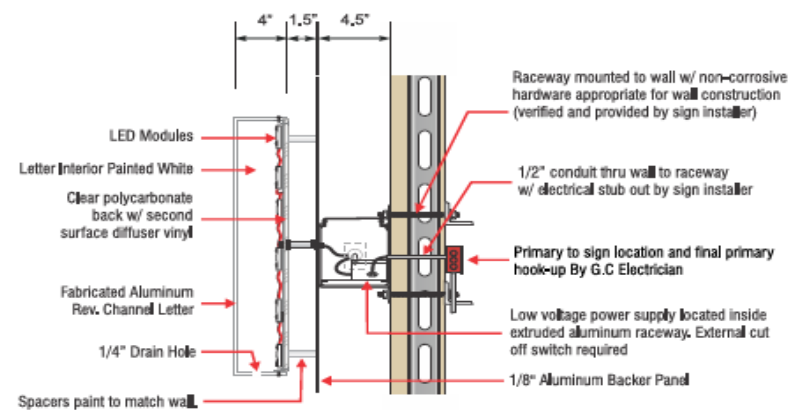
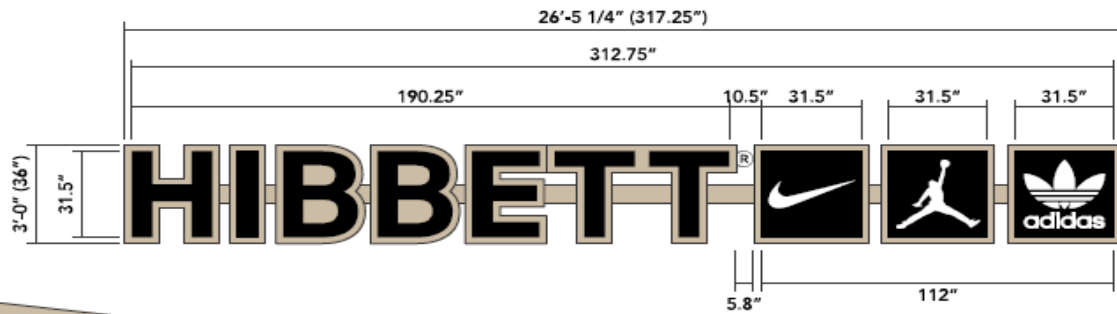


Partner:
Project # 6352
Location / Address:
Hibbett
(Caffery Center)
4510 Ambassador Caffery Parkway
Suite H
Lafayette, LA 70508

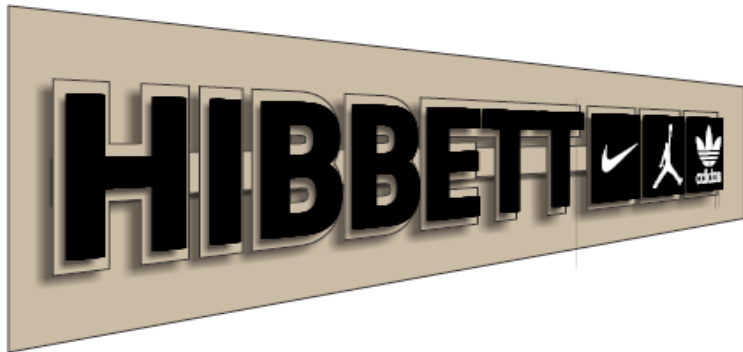
Color & Materials:

#1 - Initial / DR / 12-17-24
#2 - Rev. / BG / 01-08-25

Date: 1/08/2024	Sheet No: 2	Account Rep: KEVIN AGOSTINHO
Client Partner Approval:		
Date:		



SECTION DETAIL - L.E.D. HALO ILLUMINATED WALL LETTERS W/ BACKER PANEL



PERSPECTIVE VIEW



ILLUMINATED VIEW

SCOPE OF WORK: MANUFACTURE & INSTALL ONE (1) SET OF HALO ILLUMINATED REVERSE CHANNEL LETTERS WITH FACE/HALO ILLUMINATED LOGO CABINETS, OFFSET MOUNTED TO CONTOUR CUT ALUMINUM BACKER PANELS, THEN RACEWAY MOUNTED TO BUILDING FASCIA.

LETTERS: FABRICATED WITH 4" DEEP .063 ALUMINUM RETURNS AND .125 ALUMINUM FACES PAINTED TO MATCH PMS#426C BLACK. .177 CLEAR POLY-CARBONATE BACKS WITH VINYL DIFFUSER. OFFSET STANDOFFS PAINTED TO MATCH WALL.

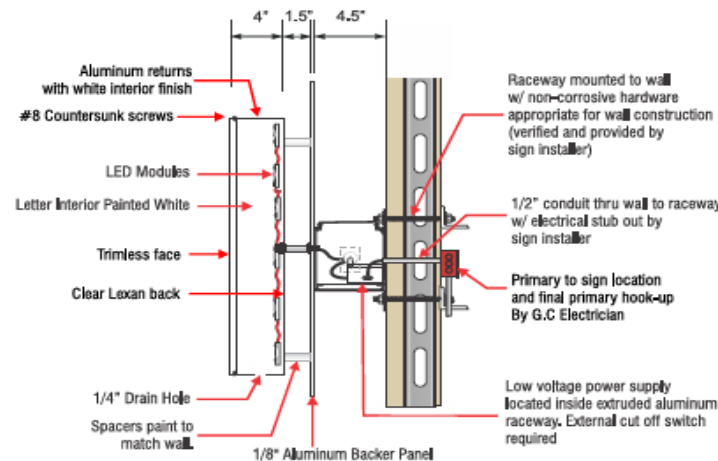
®: 3M 7725-12 OPAQUE VINYL APPLIED TO .177 CLEAR POLY TAB ATTACHED TO RETURN OF LETTER "T".

LOGO CABINETS: .063 ALUMINUM RETURNS AND TRIMLESS FACES WITH FIRST SURFACE OPAQUE VINYL GRAPHICS AND CLEAR LEXAN BACKS OFFSET MOUNTED WITH STANDOFFS PAINTED TO MATCH WALL.

BACKER PANELS: .125 ALUMINUM CONTOUR CUT AND PAINTED TO MATCH WALL.

RACEWAY: 4.5" NARROW, PAINTED TO MATCH WALL

ILLUMINATION: WHITE SLOAN LEDS AND REMOTE POWER SUPPLIES.



SECTION DETAIL - L.E.D. FACE/HALO LIT / OFF-SET MOUNTED CABINET W/ BACKER PANEL

A.1 CUSTOM HALO-LIT CHANNEL LETTERS WITH BACKER PANEL ON RACEWAY 79.31 SQ FT
QTY (1) SCALE: 1/4" = 1'-0"



UL This sign is intended to be installed in accordance with the requirements of Article 605 of the National Electrical Code and/or other applicable local codes. This includes proper grounding and bonding of the sign.



This artwork is an original design solely for the purposes of presentation. Almost always in this document is owned by Vision Sign Group, a division of Vision Custom Signs, LLC. No copies, reproductions, unauthorized use or reproductions of any kind can be made without written consent from Vision Sign Group. Customer signatures for approval indicate that all sizes, colors, spelling and specifications are accurate as represented and customer accepts all liability and cost involved if any of the information in this document becomes incorrect or invalid. Once signed, this document is legally binding to customer with any additions and/or removals permitted for color touch-up with the project. Stated on this design document. Any changes required or requested must be presented to Vision Sign Group and agreed upon by all parties to include any cost increases. Changes made after the design intent has been approved may result in additional cost to client. Client approvals and/or changes made were associated with modifications requested and/or made by client after approval has been granted.



Project # 6352
Location / Address:
Hibbett
(Caffery Center)
4510 Ambassador Caffery Parkway
Suite H
Lafayette, LA 70508

Color & Materials:
■ PMS 426 C
■ 3M 7725-12 OPAQUE VINYL
■ WHITE ACRYLIC
■ SW 2822 DOWNING SAND

#1 - Initial / DR / 12-17-24
#2 - Rev. / BG / 01-08-25

Date: 1/08/2024
Sheet No: 3
Account Rep: KEVIN AGOSTINHO

Client Partner Approval:
Date: _____
PLEASE CHECK ALL SPELLING, QUANTITIES, COLORS, AND MATERIALS BEFORE APPROVING

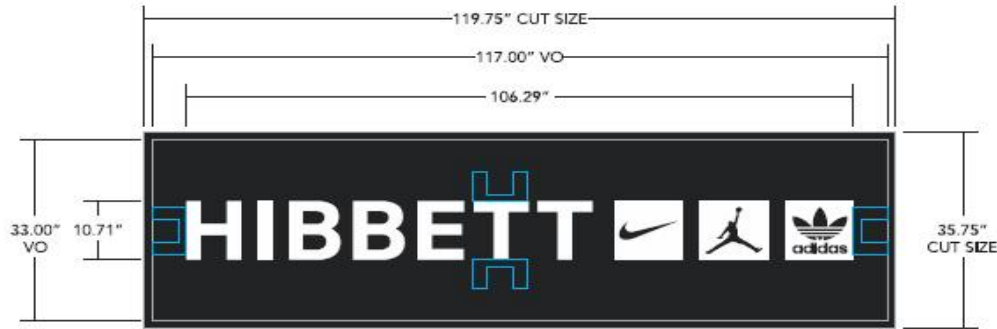
Face Replacement Only



EXISTING
SCALE: NOT TO EXACT SCALE



PROPOSED
SCALE: NOT TO EXACT SCALE



OPTION 2

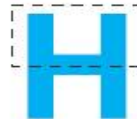
WALL SIGN

30.00 SQ FT

SCALE: 1/2" = 1'-0"

SCOPE OF WORK:

- REMOVE EXISTING FACE
- MANUFACTURE AND INSTALL (1) NEW ACRYLIC FACE WITH VINYL GRAPHICS



HALF "H" CLEAR SPACE RULE



This artwork is an original design solely for the purpose of presentation. Approval shown in this document is granted by Vision Sign Group, a division of Vision Custom Signs LLC. No copies, reproductions, transmissions or representations of any kind can be made without written consent from Vision Sign Group. Customer signatures for approval indicates that all sizes, colors, spelling and specifications are accurate as represented and customer accepts all liability and cost involved if any of the information in this document becomes incorrect or invalid. Check signed, this document is legally binding in conjunction with any artwork and/or proposal presented for costs involved with the project illustrated on this design element. Any changes requested or requested must be presented to Vision Sign Group and agreed upon by all parties to include any cost associated. Changes made after the design intent has been approved may result in additional cost to client. Client agrees to pay and change order work associated with modifications requested and/or made by client after approval has been granted.

Partner:



Project # 6352

Location / Address:
Hibbett
(Caffery Center)
4510 Ambassador Caffery Parkway
Suite H
Lafayette, LA 70508

Color & Materials:

- PMS 426 C
- 3M 772S-12 OPAQUE VINYL
- WHITE

#1 - Initial / DR / 12-17-24
#2 - Rev. / BG / 01-08-25

Date:
1/08/2024

Sheet No:
4

Account Rep:
KEVIN AGOSTINHO

Client Partner Approval:



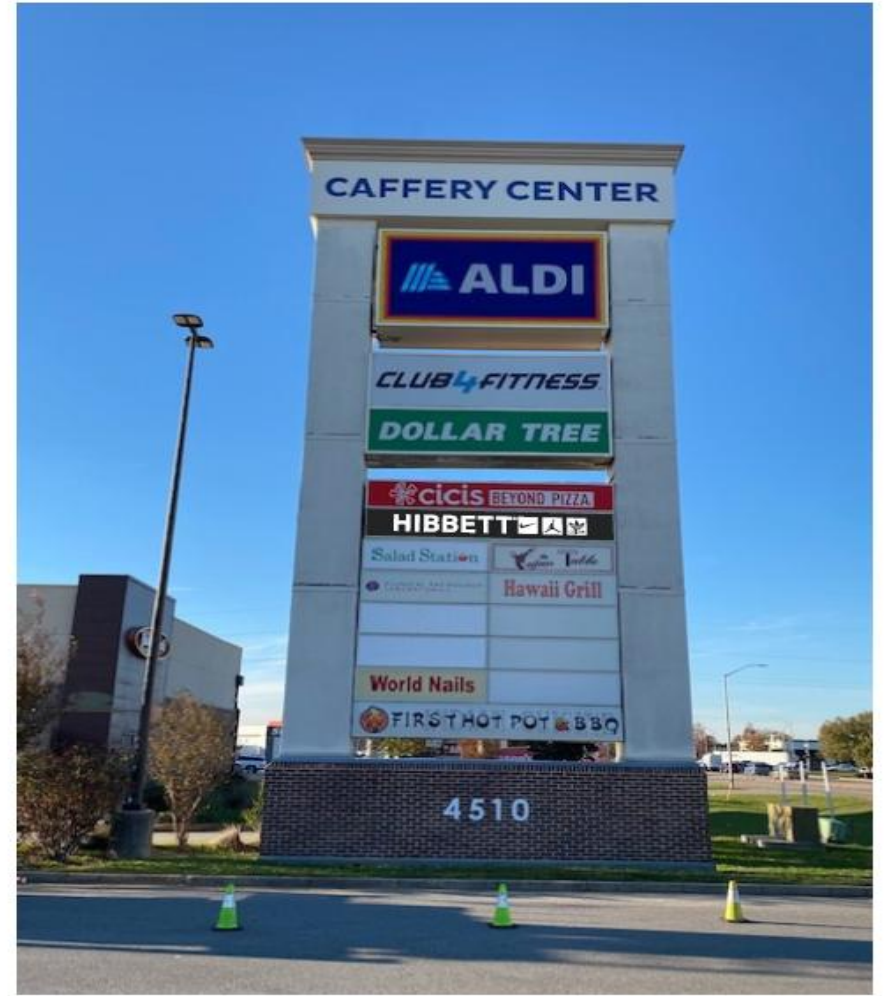
Date:

PLEASE CHECK ALL SPELLING, QUANTITIES, COLORS, AND MATERIALS BEFORE APPROVING

Face Replacement Only



EXISTING
SCALE: NOT TO EXACT SCALE



PROPOSED
SCALE: NOT TO EXACT SCALE



OPTION 2B

TENANT PANELS

26.46 SQ FT

SCALE: 1/2" = 1'-0"

SCOPE OF WORK:

- REMOVE EXISTING FACE
- MANUFACTURE AND INSTALL (2) NEW FACES TO MATCH EXISTING WITH VINYL GRAPHICS



QTY (2)

This artwork is an original design solely for the purpose of presentation. Approval shown in this document is earned by Vision Sign Group, a division of Vision Custom Signs LLC. No copies, reprints, reproduction or use of any kind may be made without written consent from Vision Sign Group. Customer signature for approval indicates that all sizes, colors, spelling and specifications are accurate as represented and customer accepts all liability and cost involved if any of the information in this document becomes incorrect or invalid. Once signed, this document is legally binding in conjunction with any contracts and/or proposal presented for costs involved with the project illustrated on this design element. Any charges required or requested must be presented to Vision Sign Group and agreed upon by all parties to include any cost associated. Changes made after the design intent has been approved may result in additional cost to client. Client agrees to pay and change order costs associated with modifications requested and/or made by client after approval has been granted.

Partner:

Project # 6352

Location / Address:
Hibbett
(Caffery Center)
4510 Ambassador Caffery Parkway
Suite H
Lafayette, LA 70508

Color & Materials:

- PMS 426 C
- 3M 7725-12 OPAQUE VINYL
- WHITE

#1 - Initial / DR / 12-17-24
#2 - Rev. / BG / 01-08-25

Date: 1/08/2024

Client Partner Approval:

Date: _____

Sheet No: 5

Account Rep: KEVIN AGOSTINHO

PLEASE CHECK ALL SPELLING, QUANTITIES, COLORS, AND MATERIALS BEFORE APPROVING

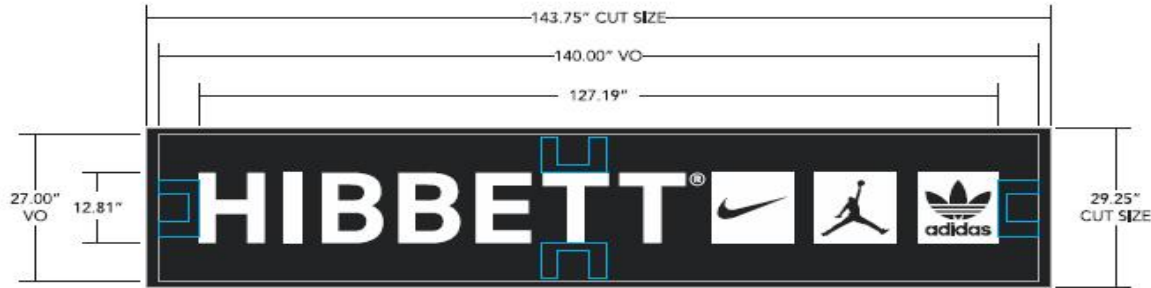
Face Replacement Only



EXISTING
SCALE: NOT TO EXACT SCALE



PROPOSED
SCALE: NOT TO EXACT SCALE



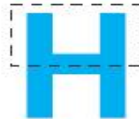
OPTION 2
TENANT PANELS

29.20 SQ FT

SCALE: 1/2" = 1'-0"

SCOPE OF WORK:

- REMOVE EXISTING FACE
- MANUFACTURE AND INSTALL (2) NEW FACES TO MATCH EXISTING WITH VINYL GRAPHICS



HALF "H" CLEAR SPACE RULE



This artwork is an original design solely for the purposes of presentation. Artwork shown in this document is owned by Vision Sign Group, a division of Vision Custom Signs LLC. No copies, reproductions, unauthorized use or reproductions of any kind can be made without written consent from Vision Sign Group. Customer signature for approval indicates that all sizes, colors, spelling and specifications are accurate as represented and customer accepts all liability and cost involved if any of the information in this document becomes incorrect or invalid. Once signed, this document is legally binding in conjunction with any estimates and/or proposal presented for costs involved with the project illustrated on this design element. Any changes required or requested must be presented to Vision Sign Group and agreed upon by all parties to include any cost associated. Changes made after the design intent has been approved may result in additional cost to client. Client agrees to pay and change order costs associated with modifications requested and/or made by client after approval has been granted.

Partner:



Project #: 6352

Location / Address:
Hibbett
(Caffery Center)
4510 Ambassador Caffery Parkway
Suite H
Lafayette, LA 70508

Color & Materials:

- PMS 426 C
- 3M 7725-12 OPAQUE VINYL
- WHITE

#1 - [Initial] / DR / 12-17-24
#2 - Rev. / BG / 01-08-25

Date:
1/08/2024

Sheet No:
6

Account Rep:
KEVIN AGOSTINHO

Client Partner Approval:

Date: _____

PLEASE CHECK ALL SPELLING, QUANTITIES, COLORS, AND MATERIALS BEFORE APPROVING