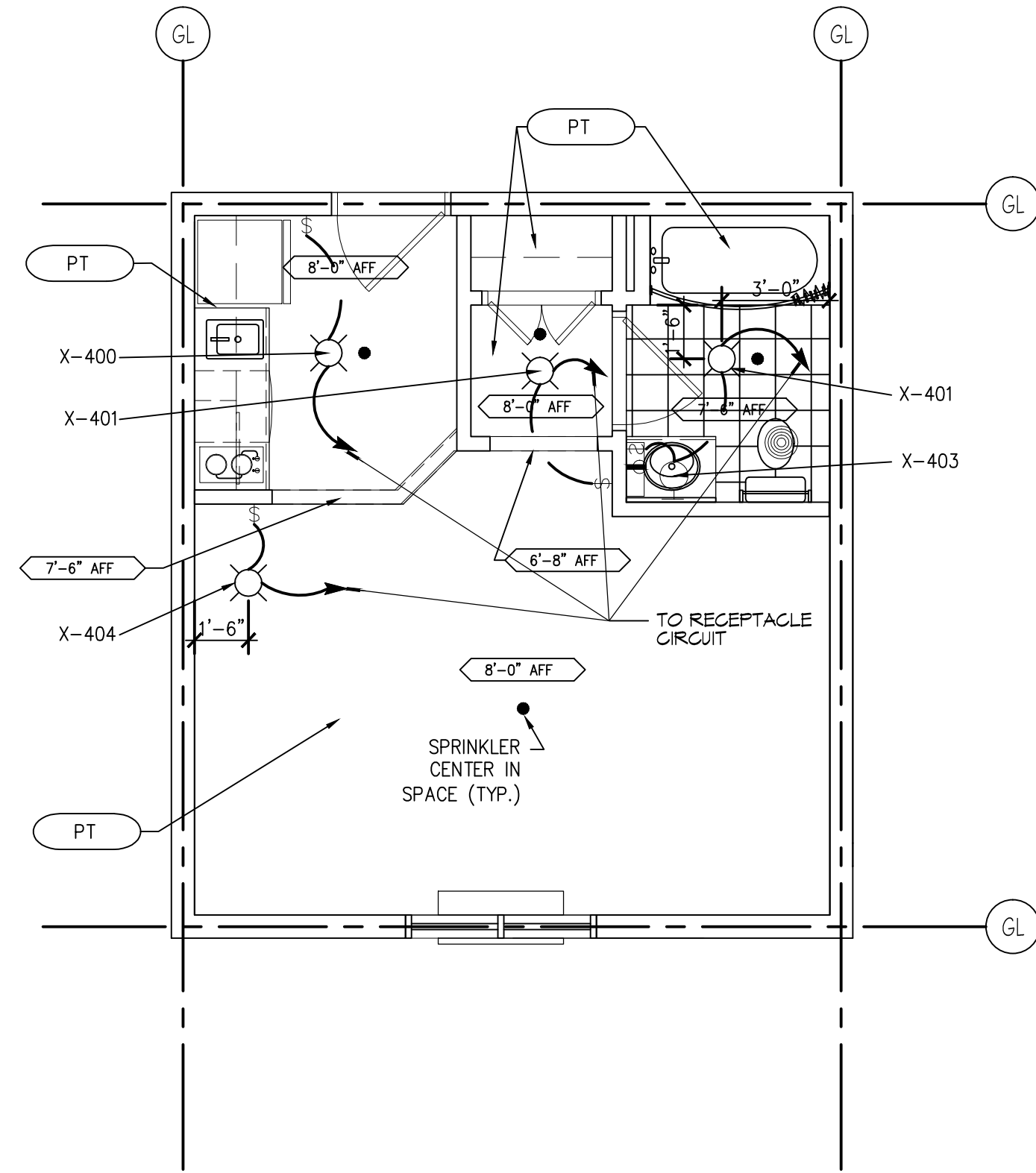
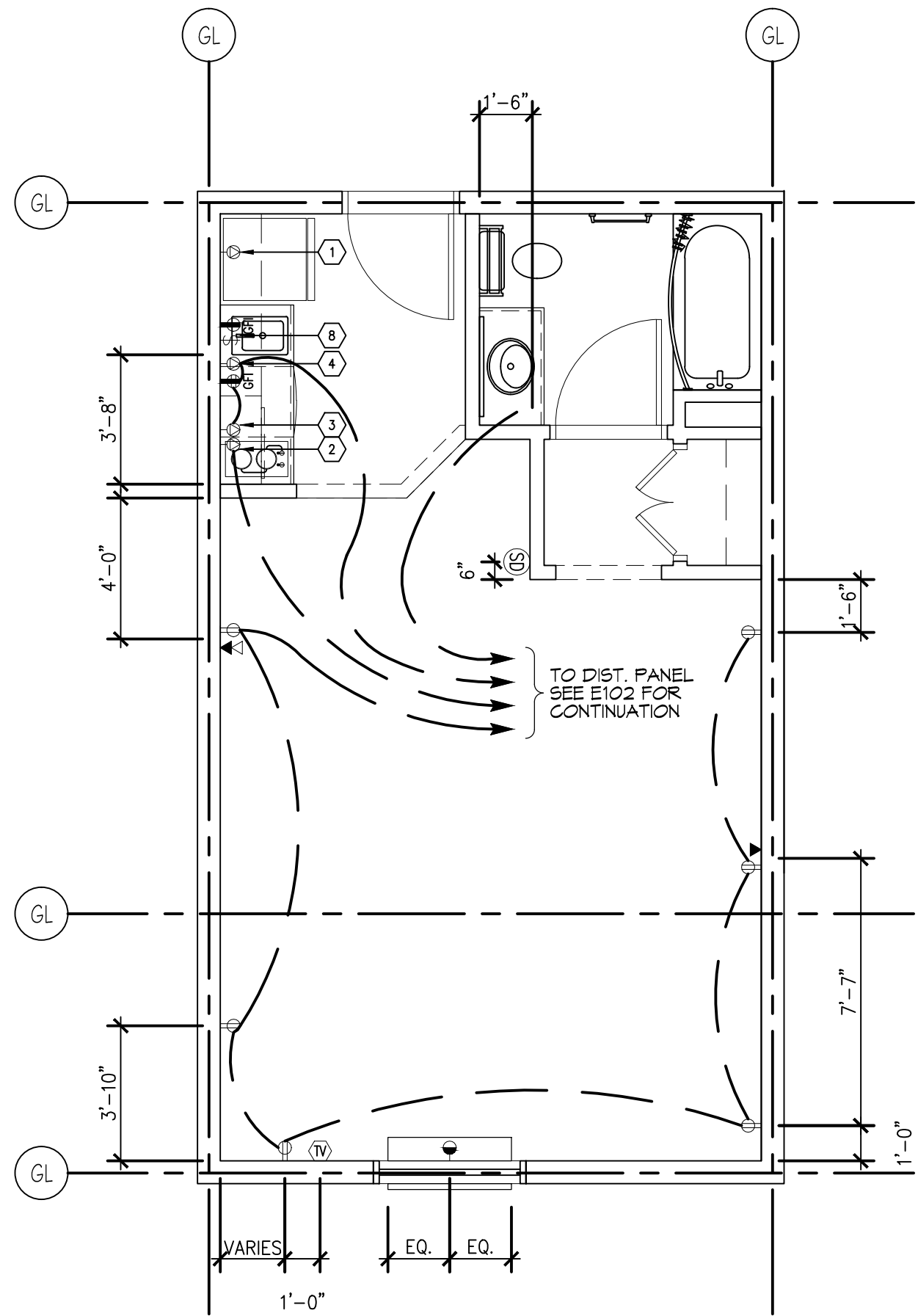


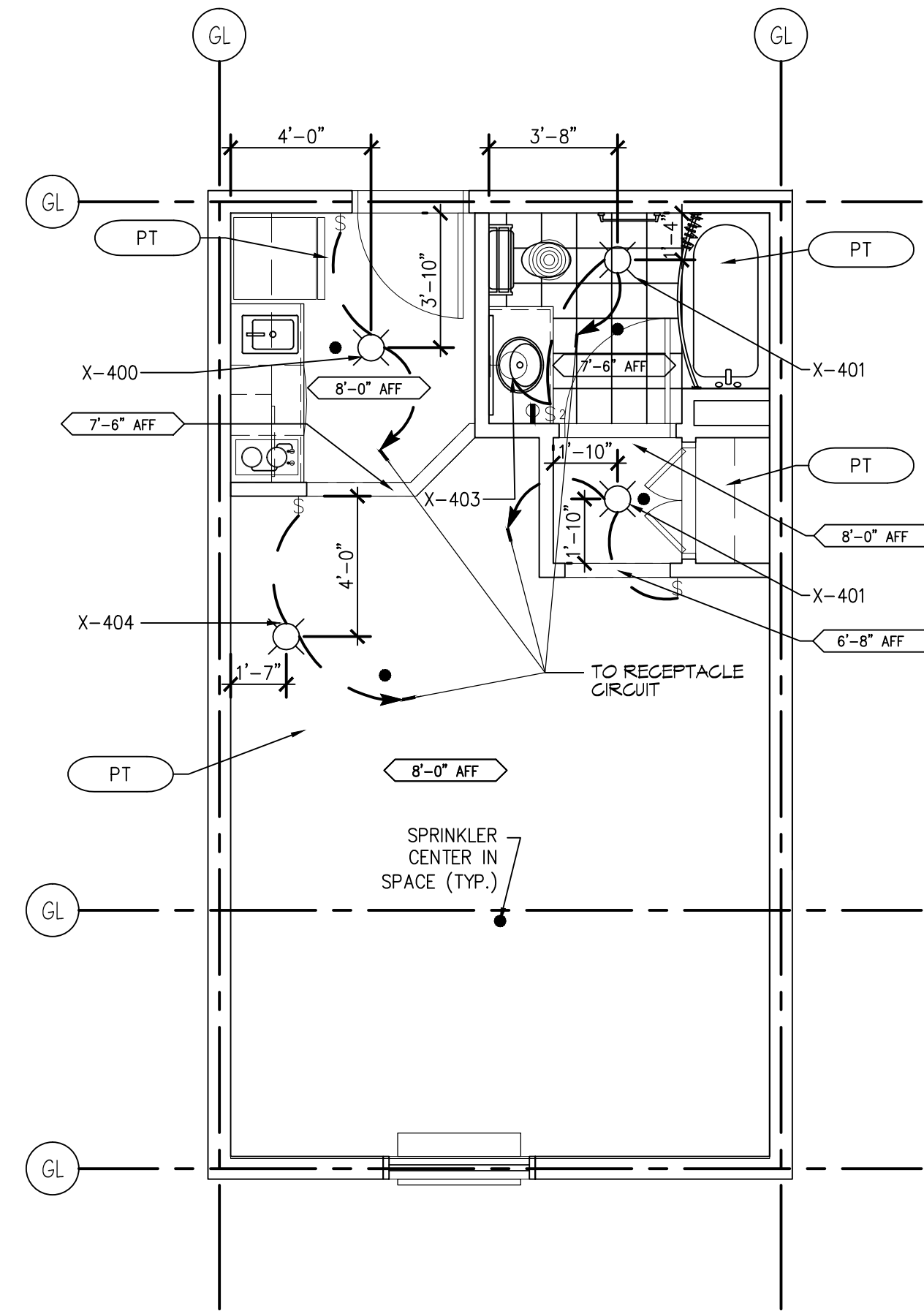
**5 KING SUITE (POWER)**  
SCALE: 1/4"=1'-0"



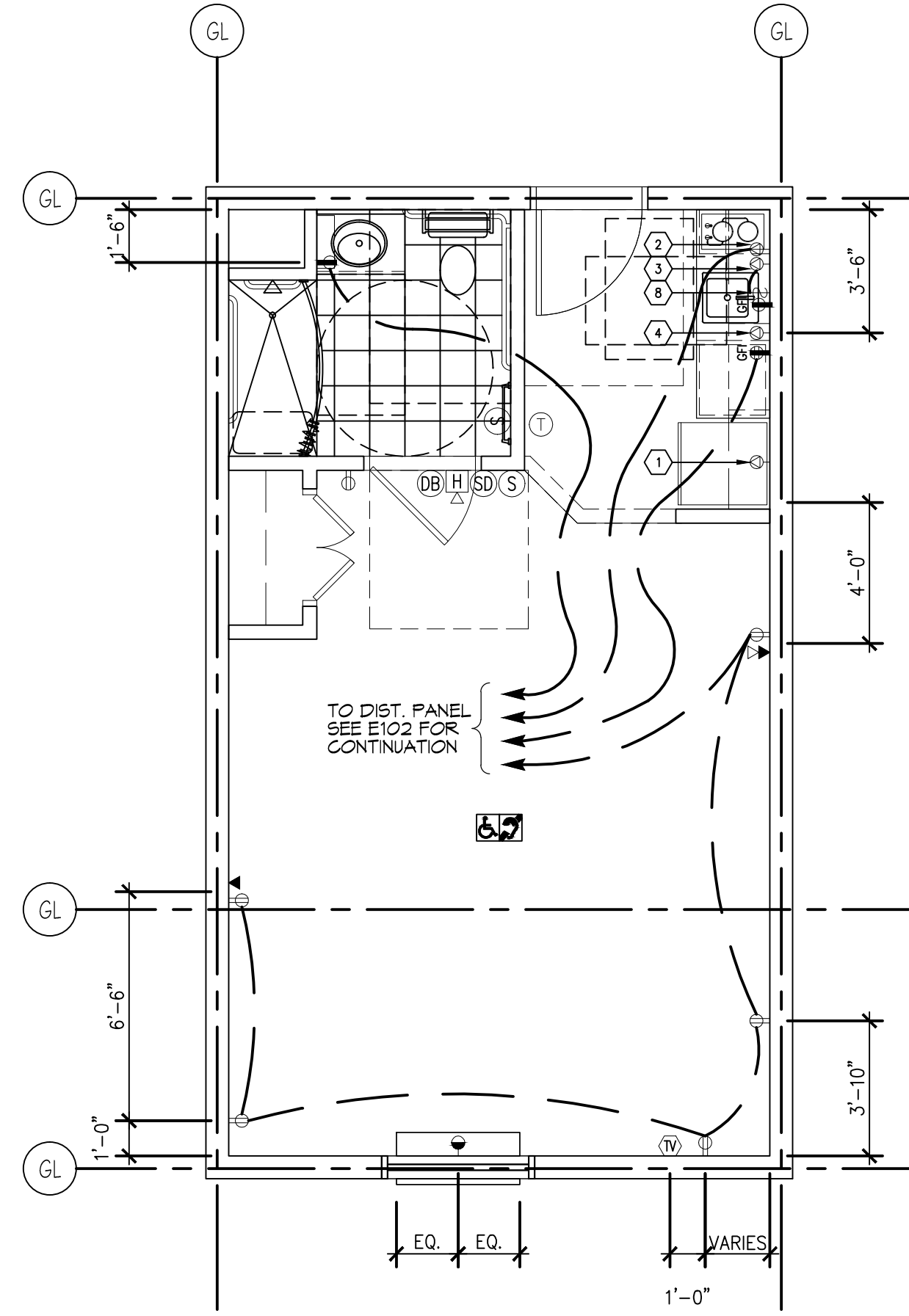
**6 KING SUITE (LIGHTING)**  
SCALE: 1/4"=1'-0"



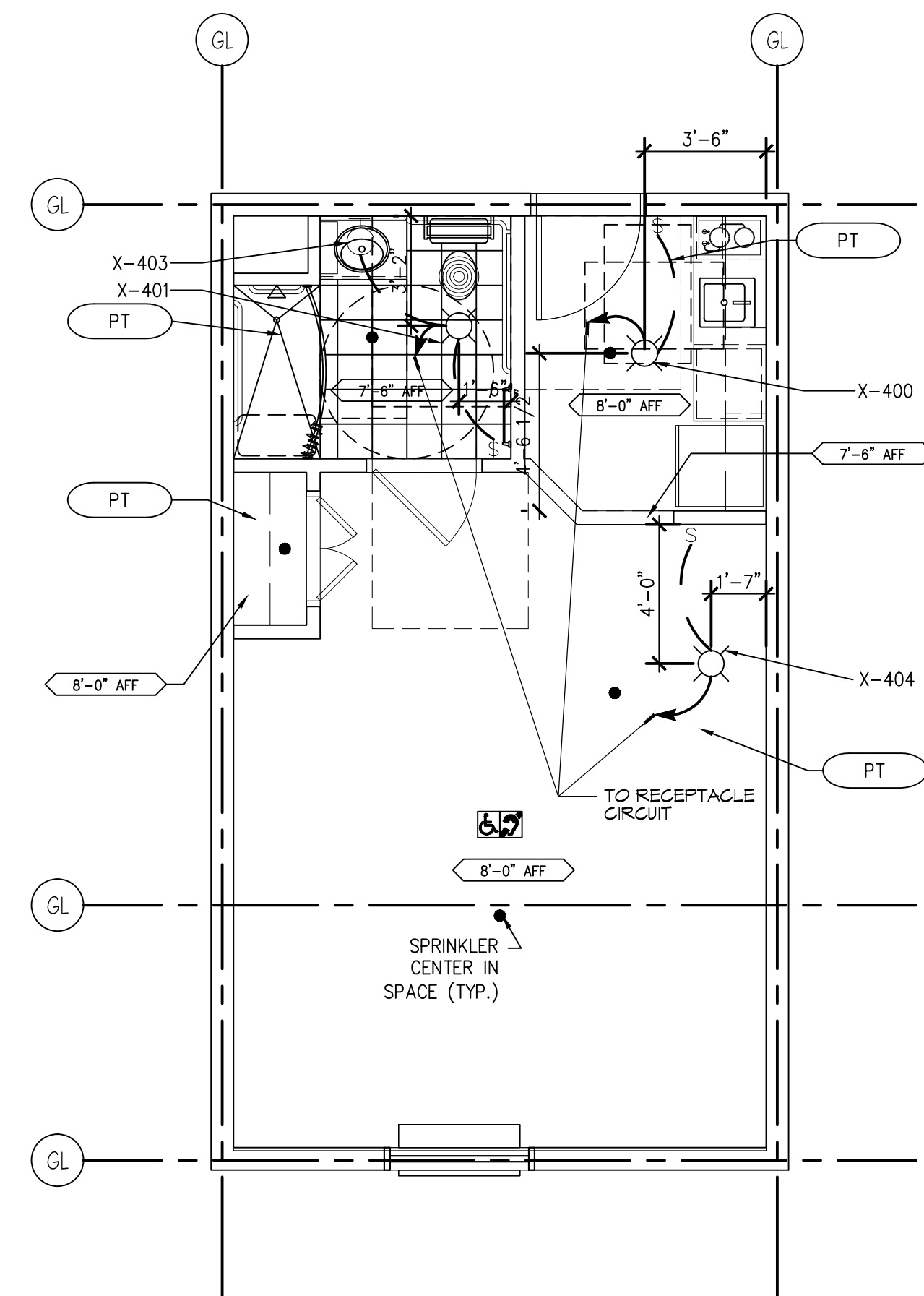
**4 DOUBLE QUEEN SUITE (POWER)**  
SCALE: 1/4"=1'-0"



**3 DOUBLE QUEEN SUITE (LIGHTING)**  
SCALE: 1/4"=1'-0"



**2 ACCESSIBLE DOUBLE QUEEN SUITE (POWER)**  
SCALE: 1/4"=1'-0"



**1 ACCESSIBLE DOUBLE QUEEN SUITE (LIGHTING)**  
SCALE: 1/4"=1'-0"

#	DESCRIPTION	DATE

SEAL:  
**PRELIMINARY NOT FOR CONSTRUCTION**

**MAIN STAY SUITES**  
100 MAIN STREET  
LOT P1 LA HWY 21  
MOOREHEAD, LA 70645  
JOB No: 2265  
DATE: JANUARY, 2016  
DRAWN BY: JTL  
CHECKED BY: CKD

SHEET TITLE:  
**POWER & LIGHTING SUITES**  
DRAWING NUMBER:  
**E103**  
SHEET No: 10 of 1