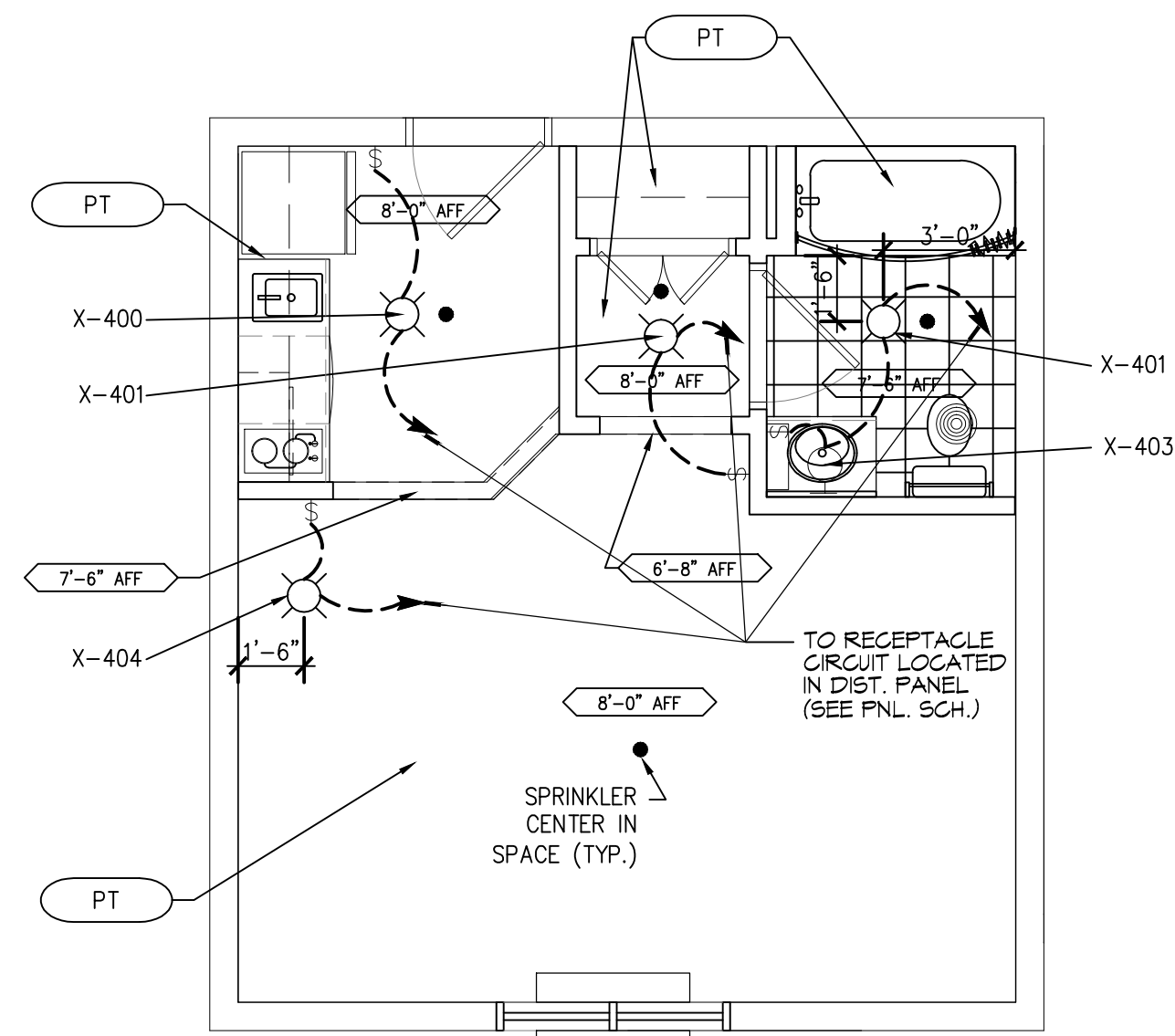
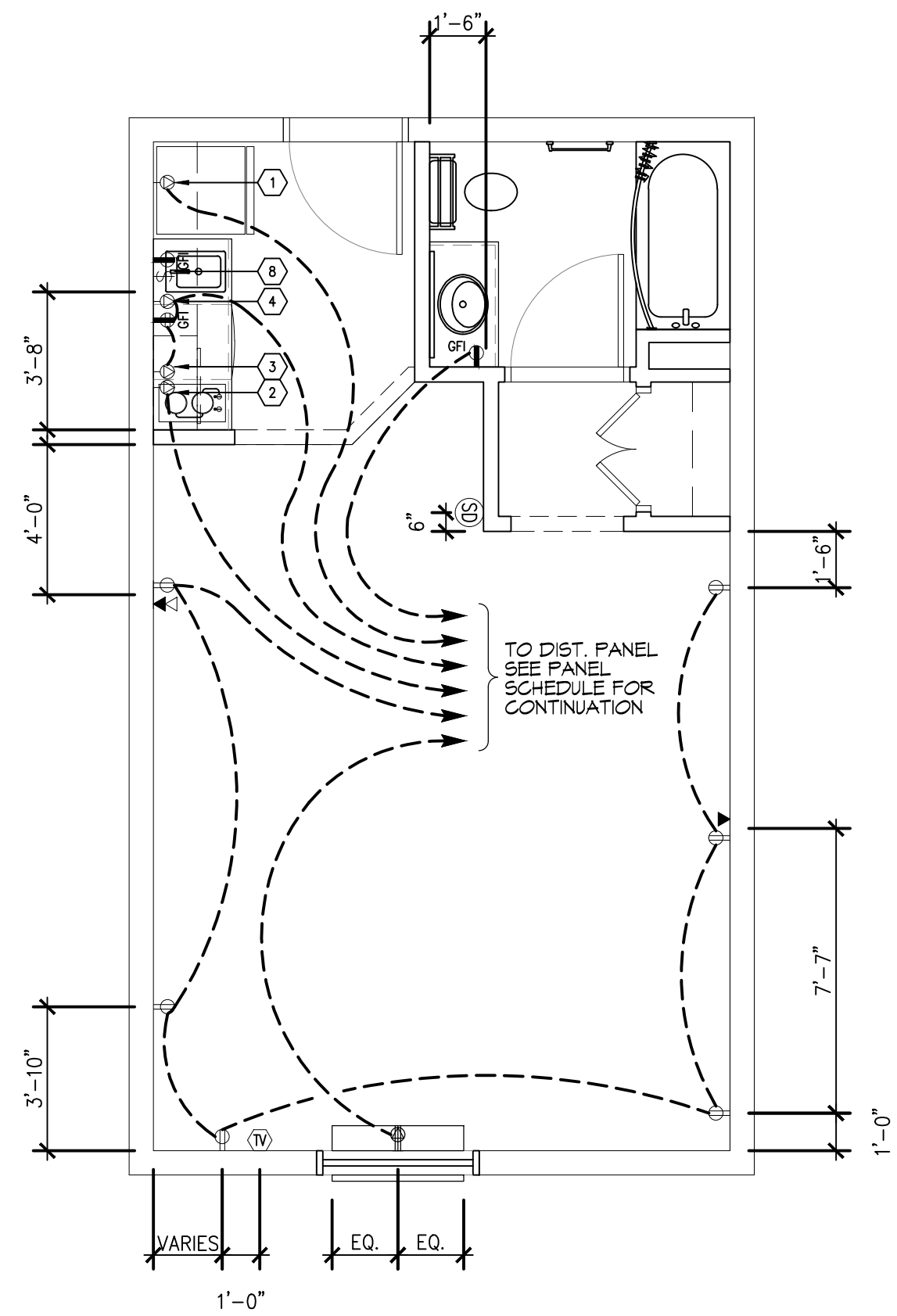


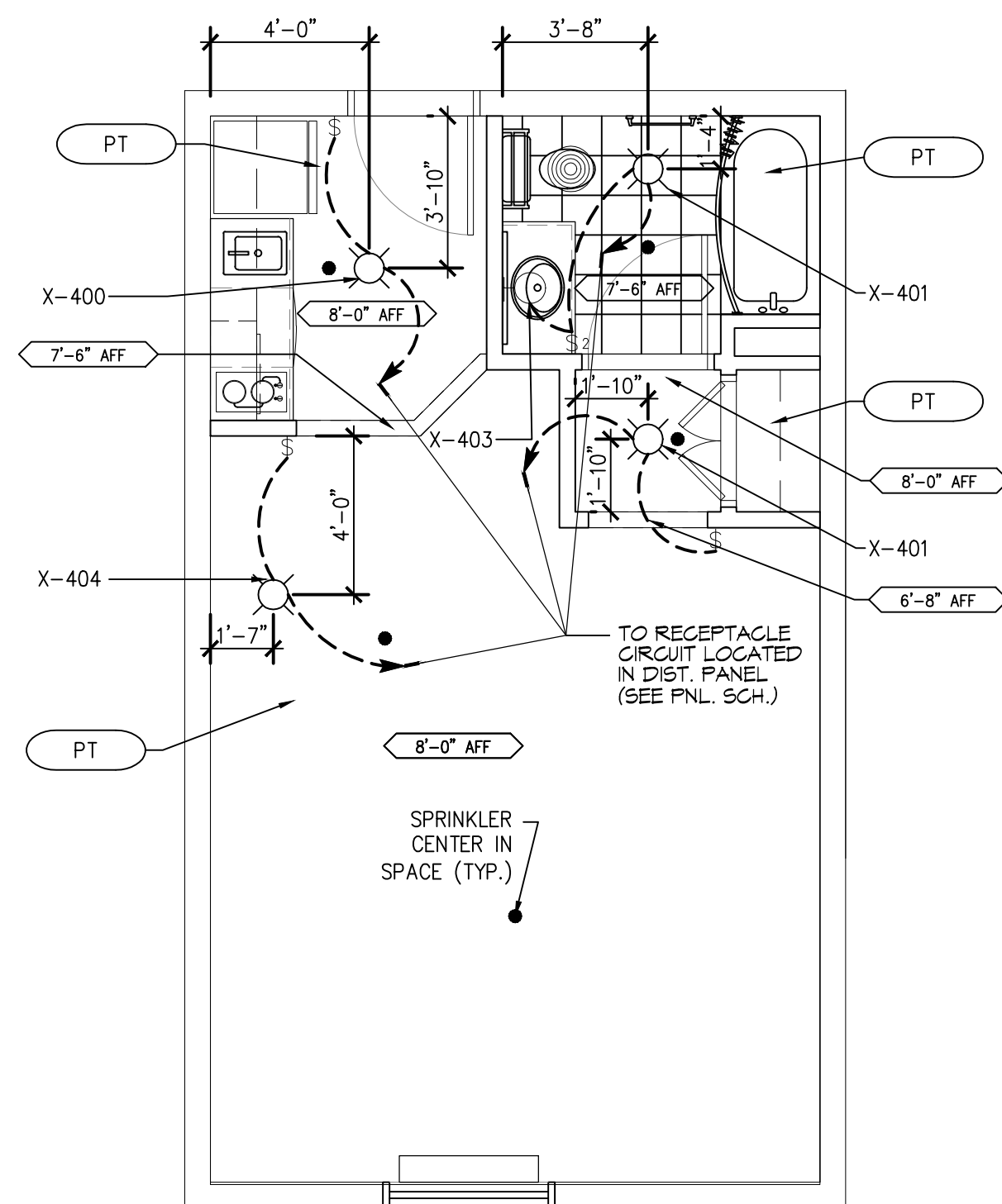
5 KING SUITE (POWER)
SCALE: 1/4"=1'-0"



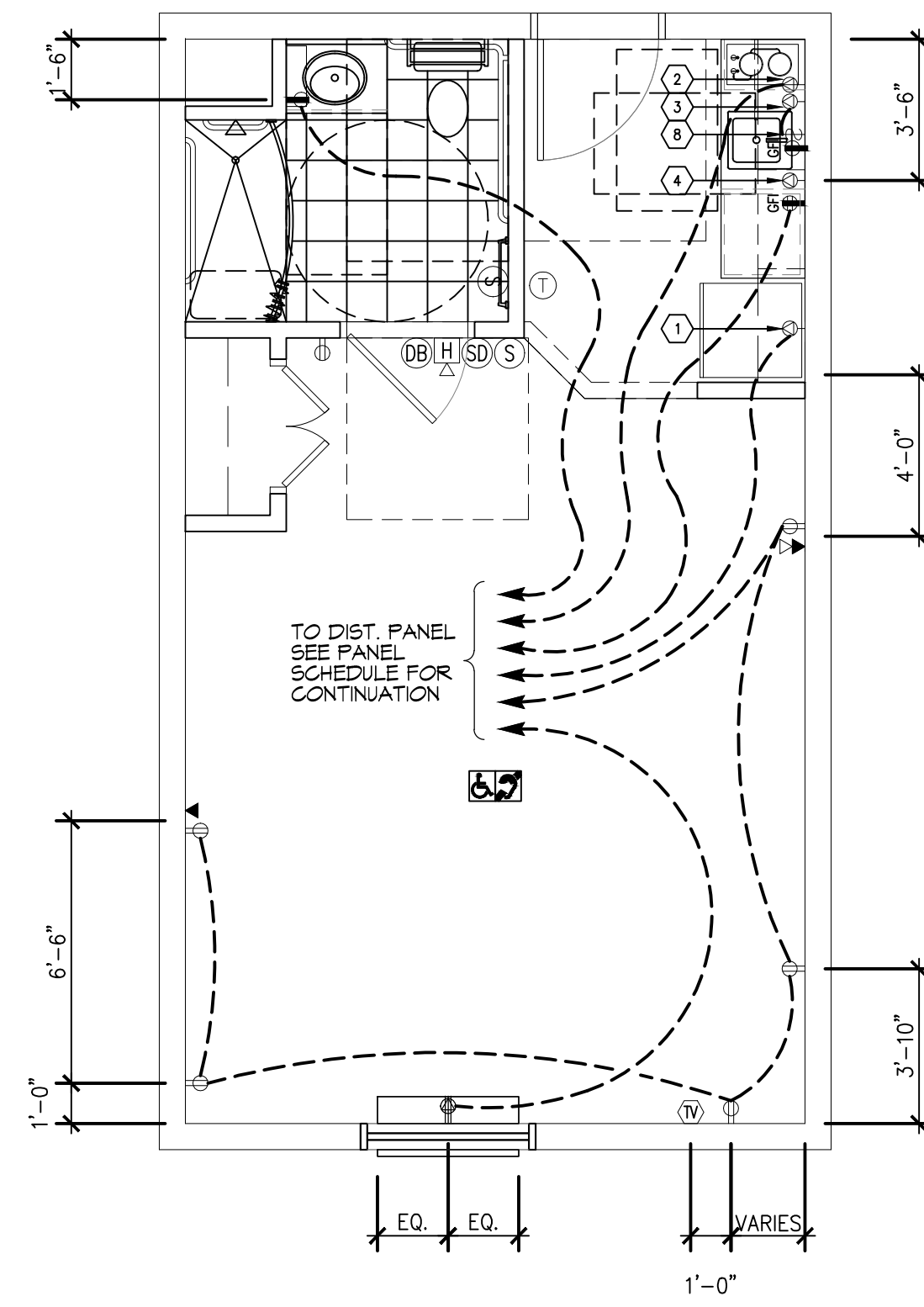
6 KING SUITE (LIGHTING)
SCALE: 1/4"=1'-0"



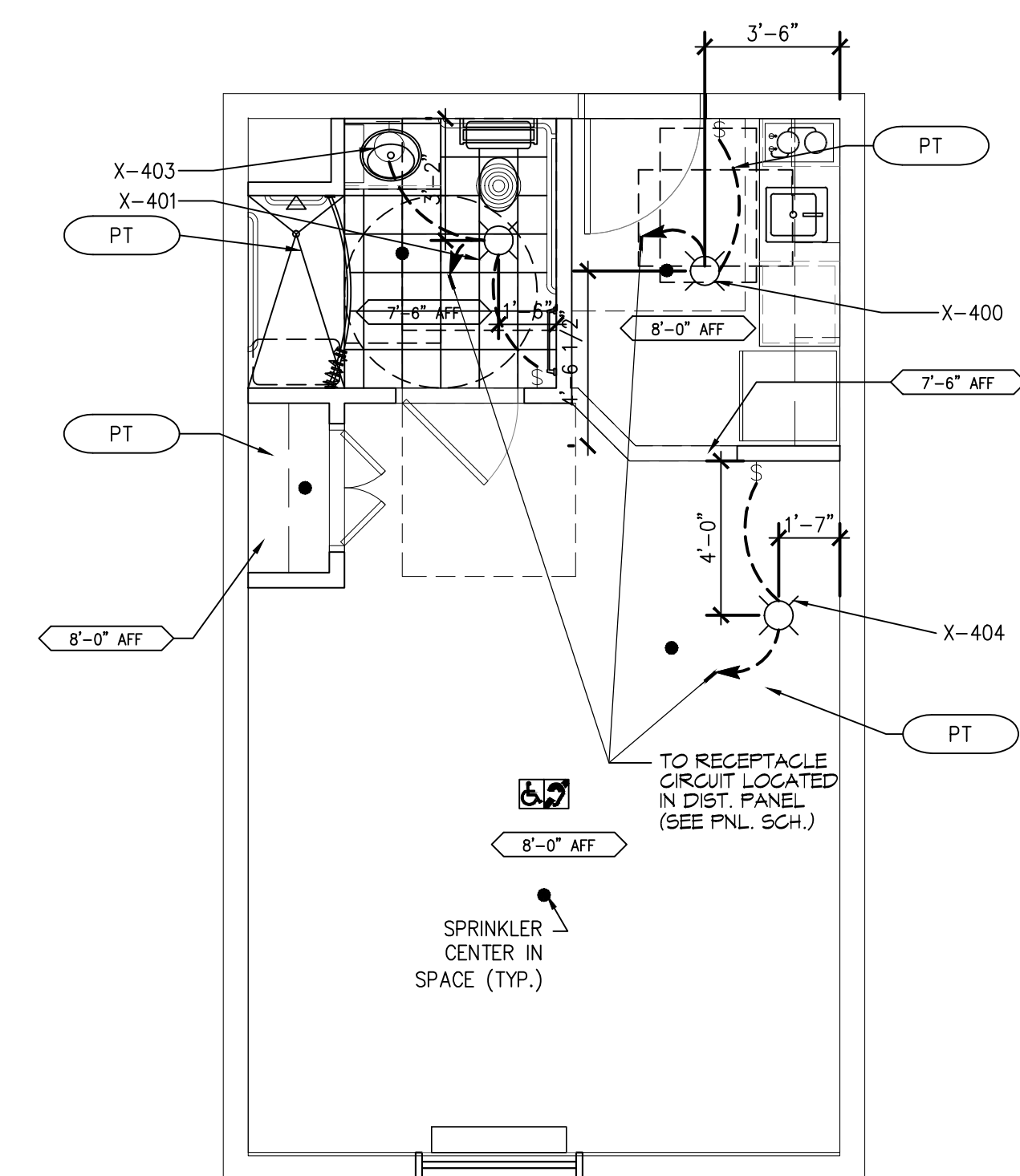
4 DOUBLE QUEEN SUITE (POWER)
SCALE: 1/4"=1'-0"



3 DOUBLE QUEEN SUITE (LIGHTING)
SCALE: 1/4"=1'-0"



2 ACCESSIBLE DOUBLE QUEEN SUITE (POWER)
SCALE: 1/4"=1'-0"



1 ACCESSIBLE DOUBLE QUEEN SUITE (LIGHTING)
SCALE: 1/4"=1'-0"

#	DESCRIPTION	DATE

SEAL: **PRELIMINARY NOT FOR CONSTRUCTION**

MAIN STAY SUITES
100 MAIN STREET
LOT #14 HWY 21
MOOREHEAD, LA 70645
JOB No: 2265
DATE: FEBRUARY, 2016
DRAWN BY: JTL
CHECKED BY: CKD

SHEET TITLE:
POWER & LIGHTING SUITES

DRAWING NUMBER:
E103